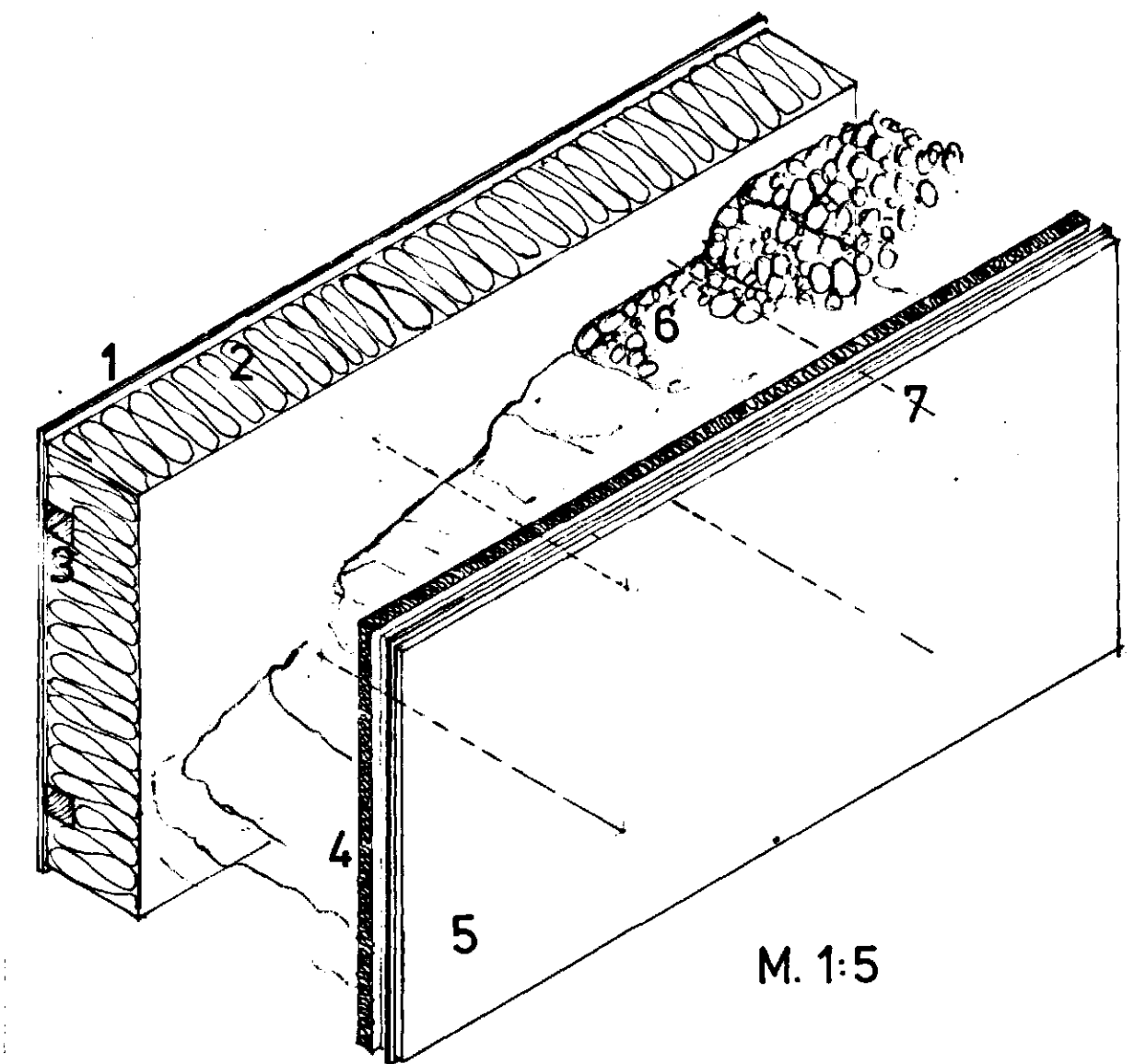


SAMLOKUMÁT BS. 306030®



- 1 INANKLÆDNING
- 2 EINANGRUN 75 sm
- 3 TRÉLISTAR 25x25sm INNFELDIR
- 4 EINANGRUN 2.5 sm
- 5 POLYESTERPLAST, YZTA LAG 1.0sm
- 6 JÄRNBENT STEINSTEYPA 18.0sm.
- 7 GALV. VIR. TENGING SAMLOKU.

NORÐURVANGUR 28 HAFNARF.  
EIG: SKÚLI ÞÓRSSON RAFV.M.  
M. 1:100

ÓLI ÞÓRDARSON ARK.FAL  
LOVISA CHRISTIANSEN INNHARK.  
KIRKJUVEG 15 HAFNARF. S.52958