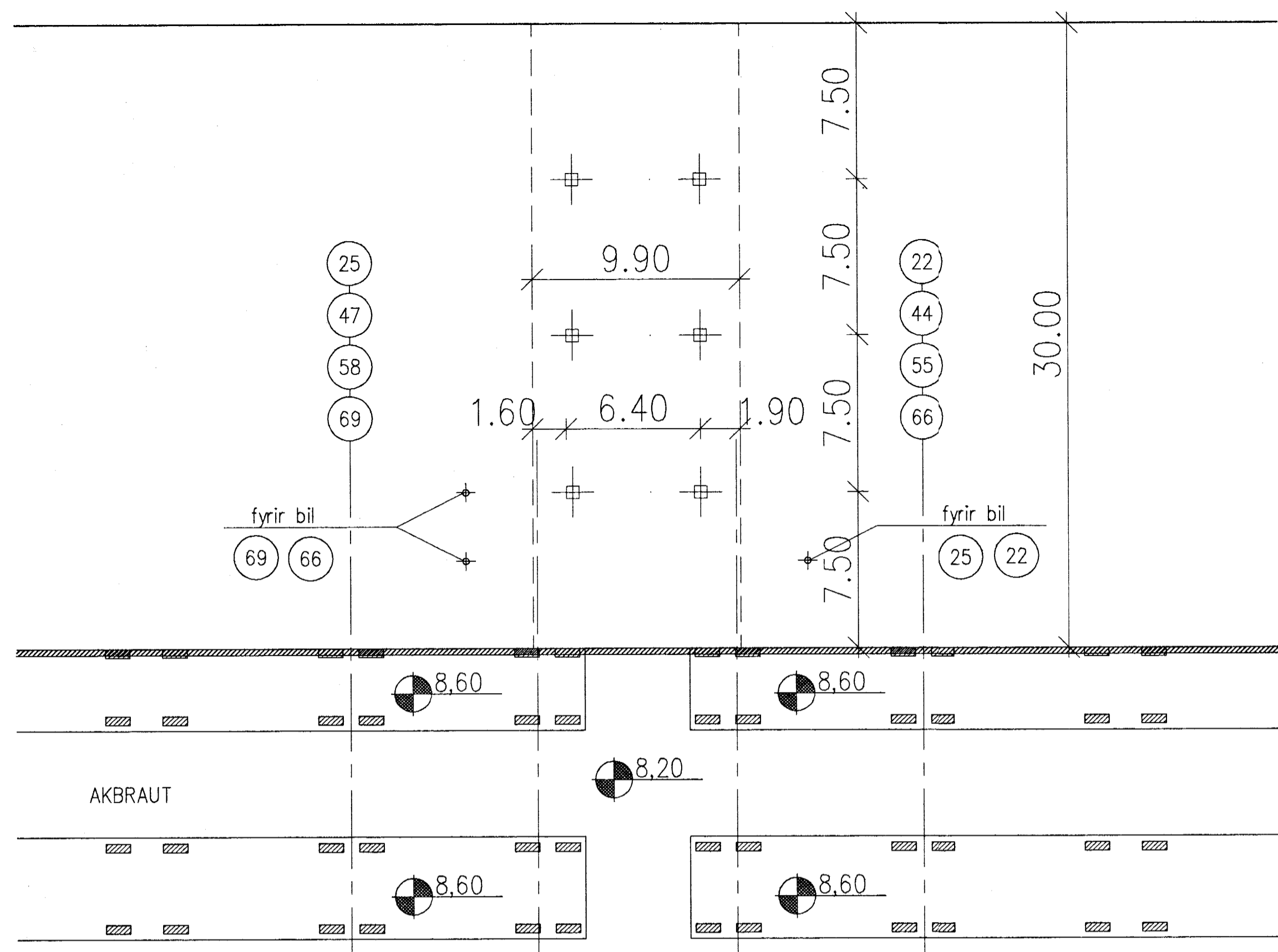
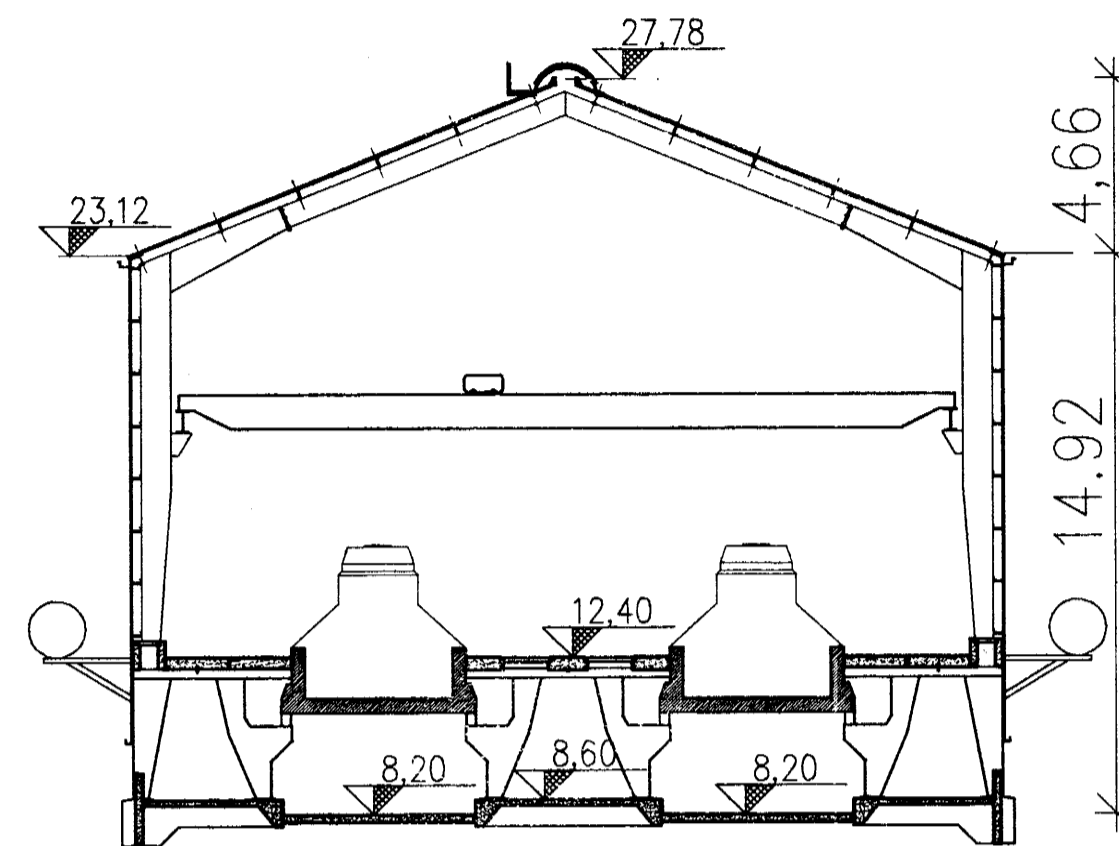


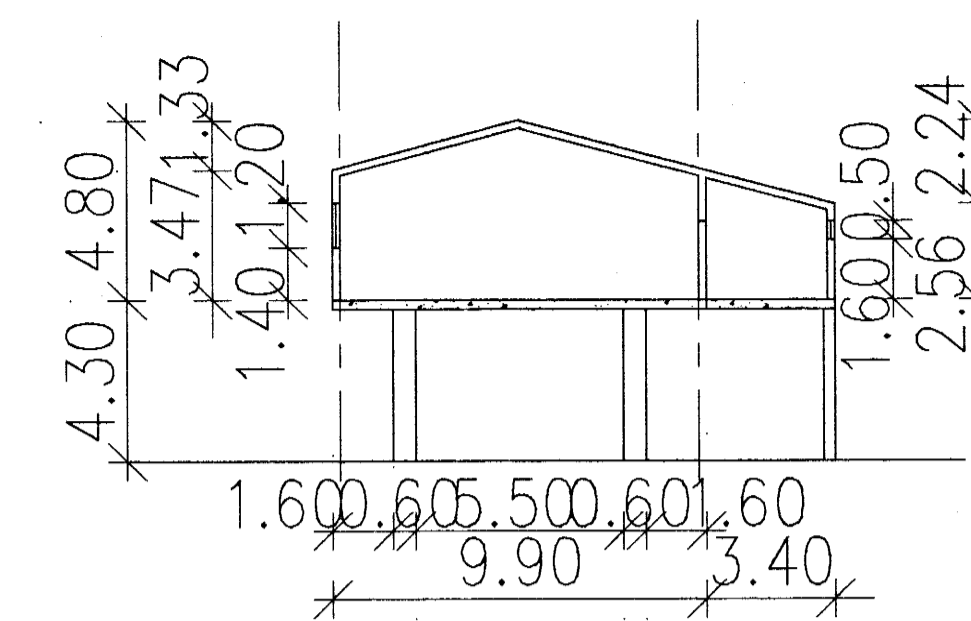
ASCILiD



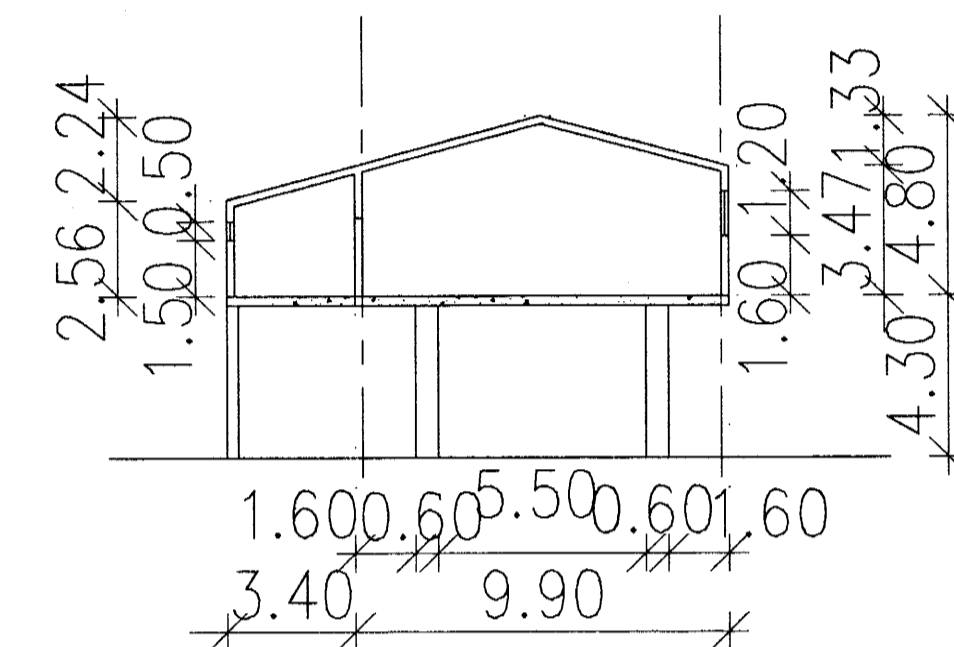
GRUNNMYND JARÐHAEDAR



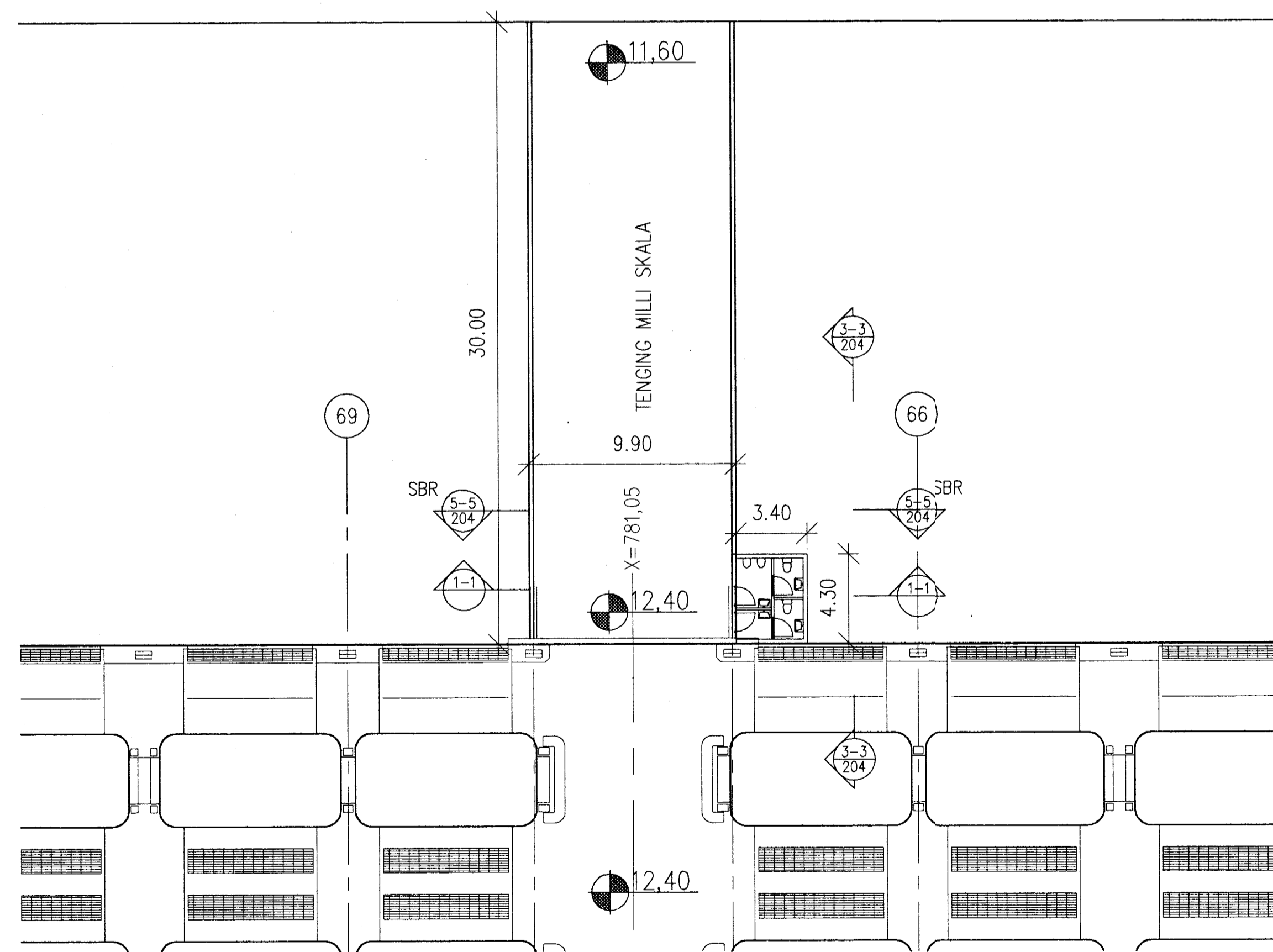
SNID I KERSKALA



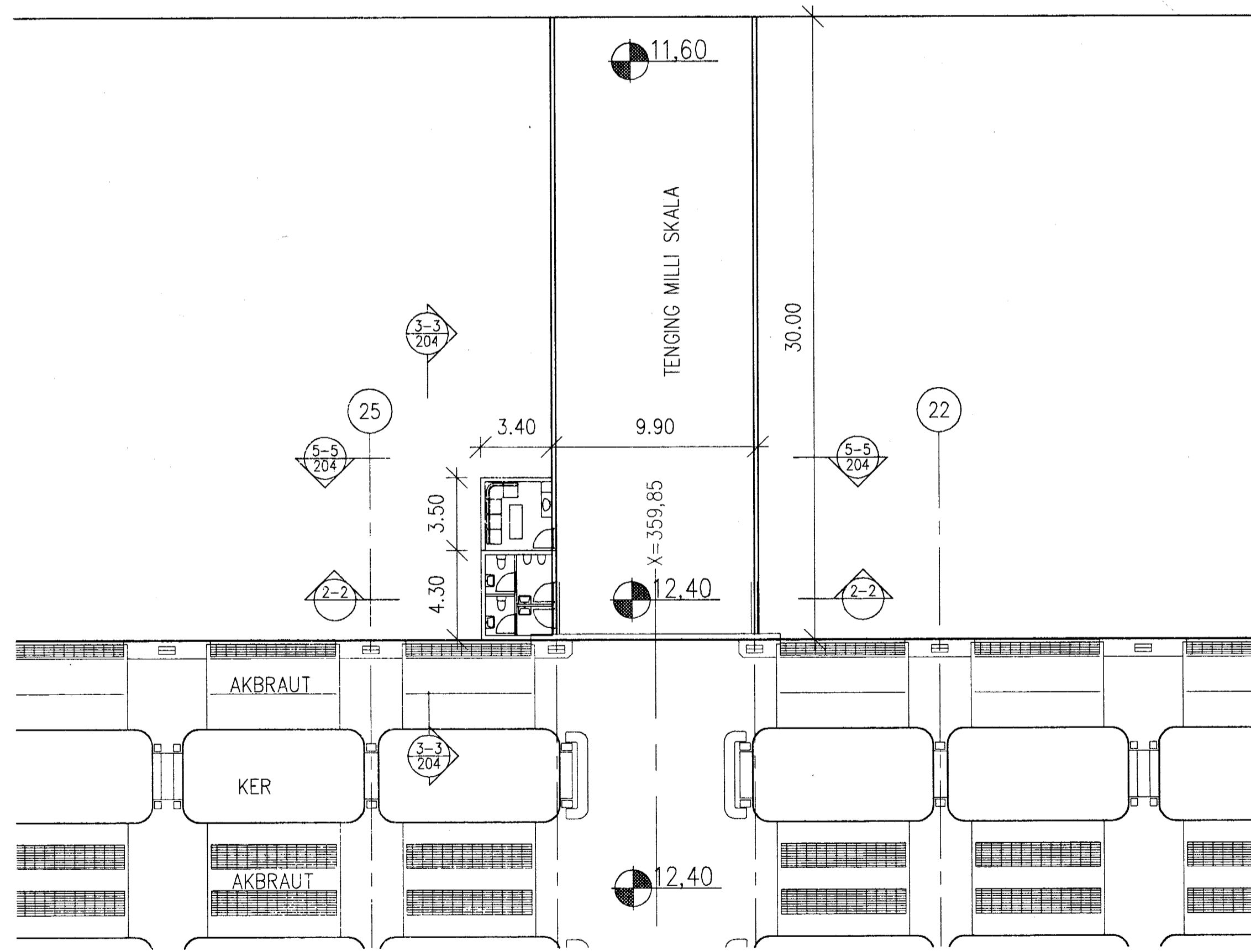
SNID 1 - 1



SNID 2 - 2



GRUNNMYND VINNSLUGOLFS



Brunamálastofnun ríkisins SAMÞYKKT

13 FEB. 1996

Arni Arnason

Nils hildurson

VST CONSULTING ENGINEERS LTD. Ármúli 4 108 Reykjavík Ísland Tel:+354 569 5000 Fax:+354 569 5010

95.120 - 13.203

ICELANDIC ALUMINIUM COMPANY LTD.

DRAWN	JAN. 1996	KS	POTROOM NO. 3	KERSKALI 3
APPROVED	20.JAN.'95	NI	ARCHITECTURAL WORK	
PROCESS	20.JAN.'95	NI	PLANS AND SECTIONS	
PROJECT	20.JAN.'95	NI	GRUNNMYNDIR OG SNID	
SCALE	1:200	FORST. A1		

ALUSUISSE ALESA ALUSUISSE ENGINEERING LTD. ZURICH SWITZERLAND

79000-32703

ISAL ICELANDIC ALUMINIUM CO. LTD

186.603

REVISION 1

REV. NO.	DATE	REVISION	BY	APP.	REV. NO.	DATE	REVISION	BY	APP.	NOTES	REFERENCE DRAWING	DRAWING NUMBER
1	10/2 1996	MINOR REVISION	NI	N.I.								

This drawing is our property and given for personal use only. It may not be copied or made available to others without our permission. The receiver is responsible for any misuse.