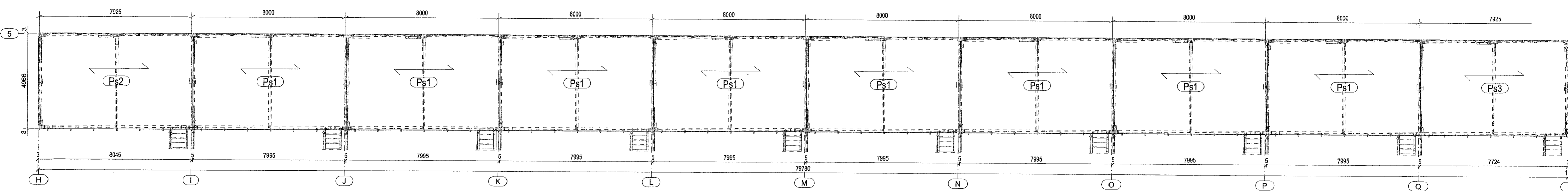
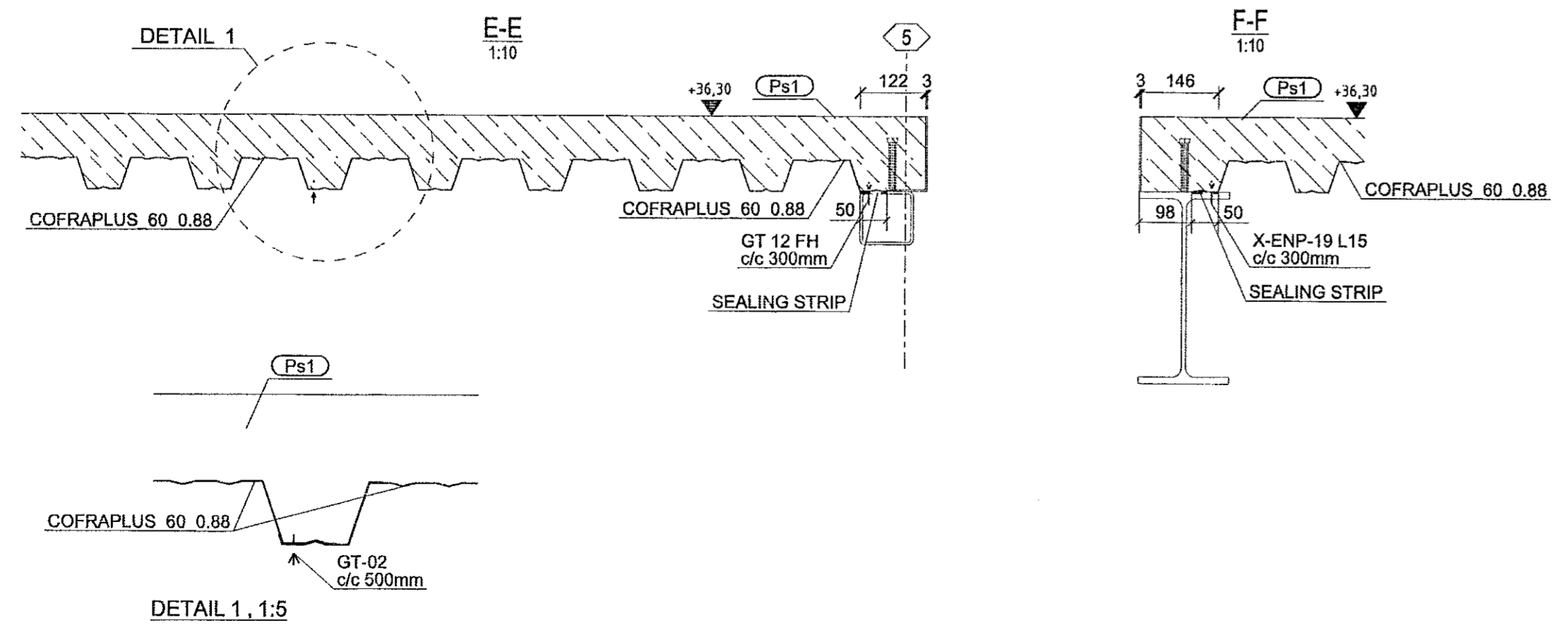
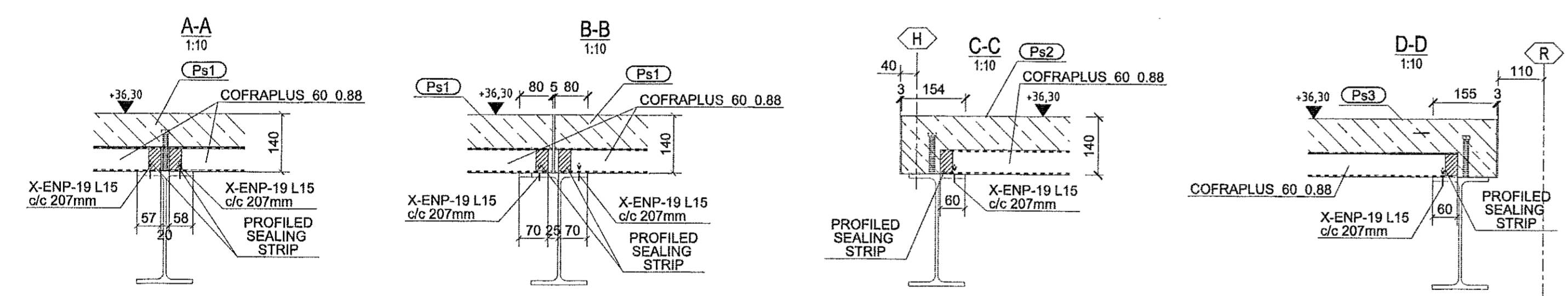


ROZKŁAD BLACH FAŁDOWYCH
COFRAPLUS 60 0.88mm
(DISTRIBUTION OF SHEETS)
1:100



RZUT STROPU ZESPOLONEGO
(TOP VIEW OF COMBINED CEILING)
1:100



- Skýringar
- Einng skal skoða aðrar teikningar í þessu verki og aðrar stál teikningar af hönnuðri hönnuðri.
 - Málteikningar eru gefnar í mm, nema hæðar í m.
 - Mál skulu vera lesin af minnsta. EKKI skal mæla upp af teikningum.
 - Nota skal stál fastpunkta við súlar af þykkt 0,7mm og/ella enda fangings teigs.
 - Minnsti fjöldi fastpunkta er tveir á hverjum plötunna.
 - Minnsti ásetla plata er 100mm.
 - Stöðluð stærð fyrir stál tröppu COFRAPLUS 60 með þykkt 0,88mm er 1035mm.
 - Fylgja skal leiðbeiningum framleiðanda þegar stál tröppum er komið fyrir.

- COMMENTS:
- Consider the drawing with the drawings of the accompanying industries and the drawings of main steel structure.
 - Dimensions are given in [mm], levels in [m].
 - Dimensions should be read from the dimension lines, it is forbidden to read from the scale.
 - At the contact with steel columns should be made of sealing with steel flashing in 0,7mm and/or sealing tape.
 - Minimum number of mounting supports = 2 pieces/span of the ceiling.
 - Minimum width of mounting supports = 100mm.
 - Standard width for sheet metal COFRAPLUS 60 thickness 0,88mm = 1035mm.
 - When installing the ceiling, it is imperative to follow the guidelines of the COFRAPLUS manufacturer's instructions.

STEEL: S350GD+Zn

ISSUE	DESCRIPTION	DATE
CHANGES		
Investor: Kytra ehf		
General Contractor / Design Unit: EXBUD KONSTRUKCJE		
CELER Sp. z o.o. ul. Klonowa 67/2P10 (lok. 102) 25-553 Kielce, Poland www.celer.pl e-mail: biuro@celer.pl		
Object: Dofrahella 2, Hús B 221 Hafnarfirði		
Stage:	Workshop drawings	Structure
Date:	10.2021	
Scale:	1:100/1:100	
General arrangement of Compound slab		
Function:	Name	Design licence
Design:	Rafał Kocietkiewicz	KL-35/2002
Drawing:	Katarzyna Grychowska	Signature
Approval:		

EFLA verkfræðistofa hefur yfirfarið hönnun stálburðarvirkis og samþykkir hana
Bjarni Jón Pálsson
Bjarni Jón Pálsson kt. 291163-5139
Undirritun hönnunarstjóra
Sigr. Þórunn