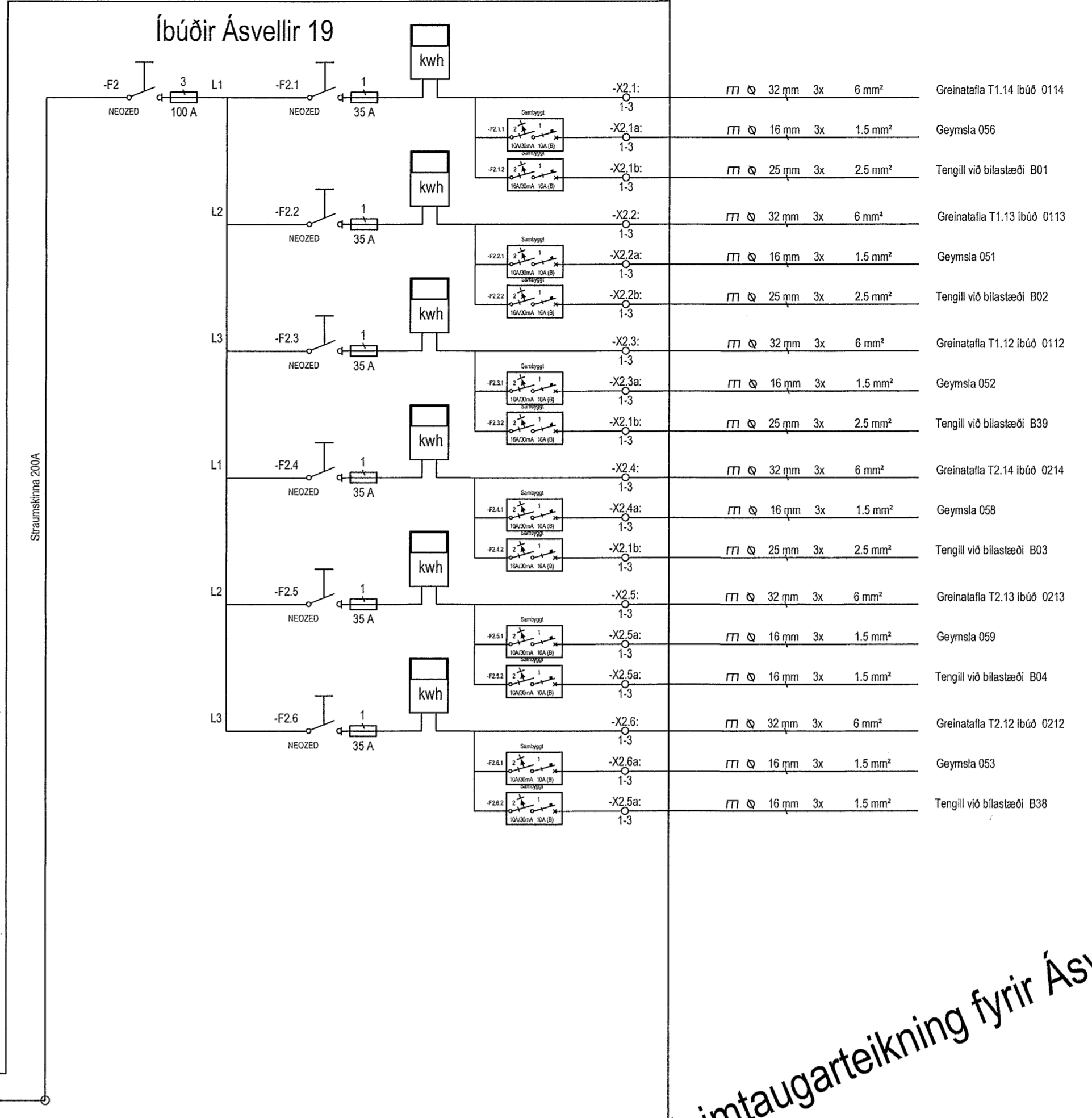
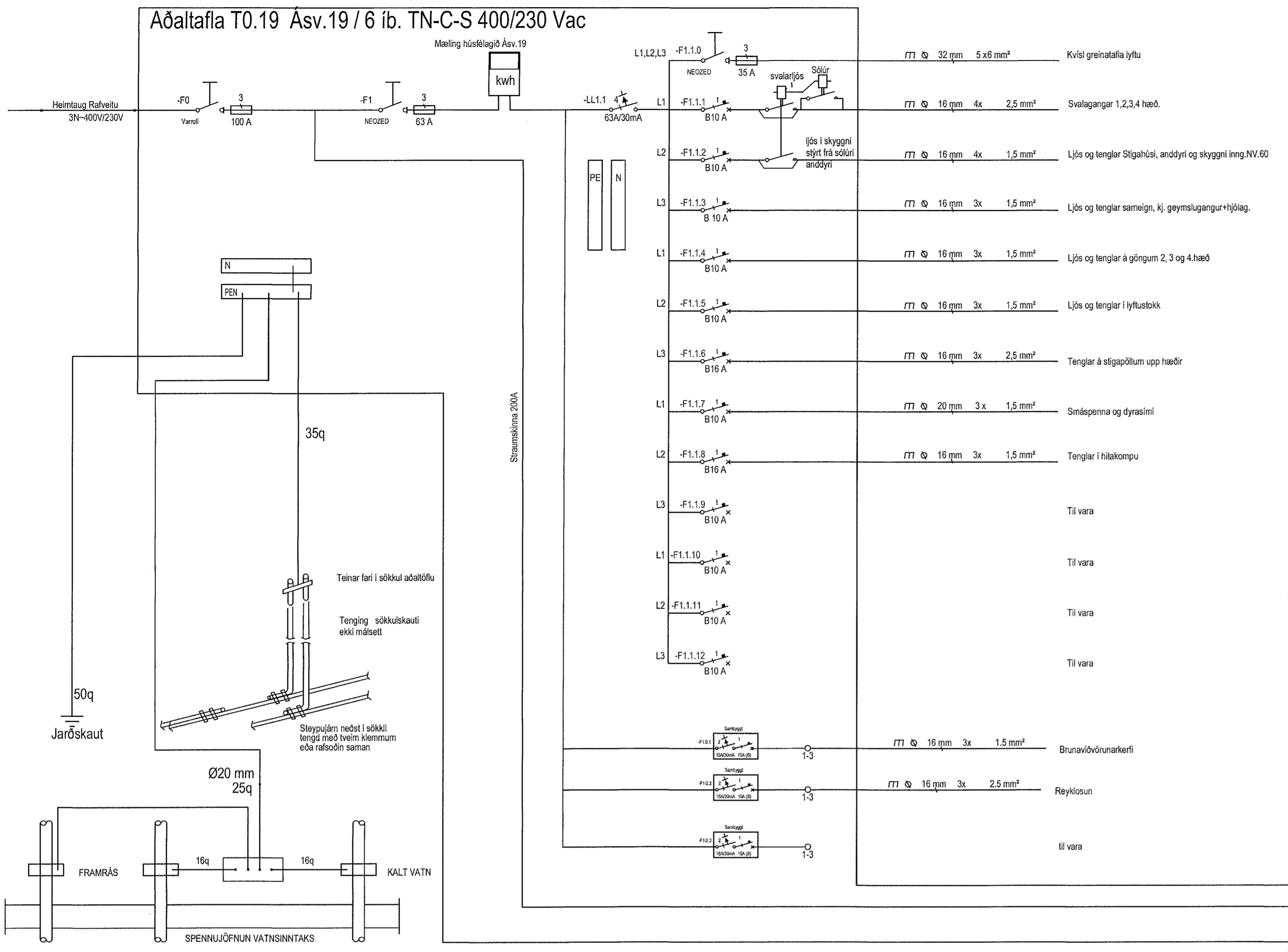
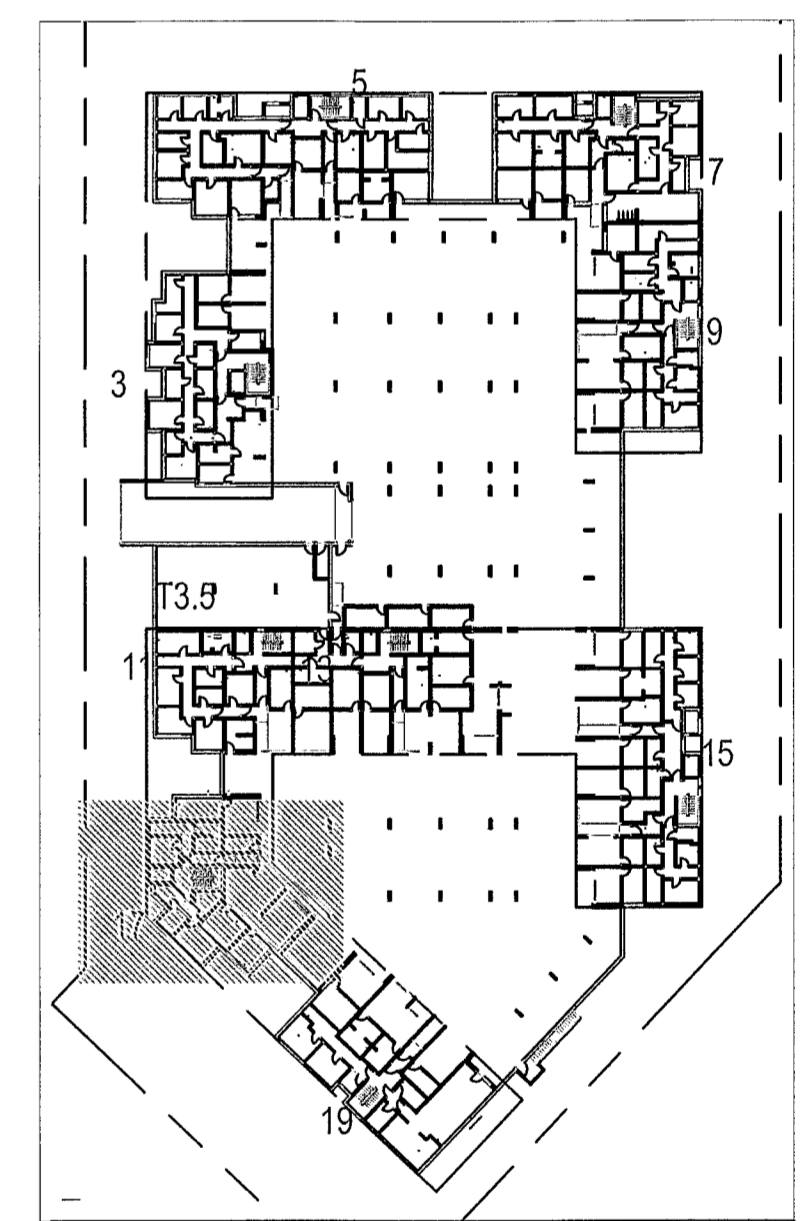


ÚTG.	DAGS.	ÚTGAUFERILL	HANNAÐ	TEKNI.	YFRIF.
---	---	---	---	---	---
---	---	---	---	---	---
---	---	---	---	---	---
---	---	---	---	---	---
---	---	---	---	---	---
---	---	---	---	---	---
---	---	---	---	---	---
---	---	---	---	---	---
---	---	---	---	---	---
---	---	---	---	---	---



2023.05.19 Heimtaugarteikning fyrir Ásvelli 3 - 5 SVE



TESLA ehf
Rafagna- og lýsingarhönnun
Svanbjörn Einarsson, kt.180265-3339
698-2624, svanbjorn@teslaehf.is

Fjölbýlishús
Ásvelli 3-5
221, Hafnarfirði

Rafkerfi
Rafagnir

TEKNI. NÚMÉR	BLAÐSTÆRÐ	HANNAÐ	SVE
20230410.1	A1	TEKNAÐ	SVE
00_15_09 ásv.19		YFRIFARÍÐ	SVE
DAGS.	MELKUVARÐI	ÚTGAFA	
2023.04.10	1:50		

Dagsetning aðskráðsáttar: mfr/dags
Hönnuður: Svanbjörn Einarsson kt.180265-3339
Hönnunarskipti: *[Signature]*

