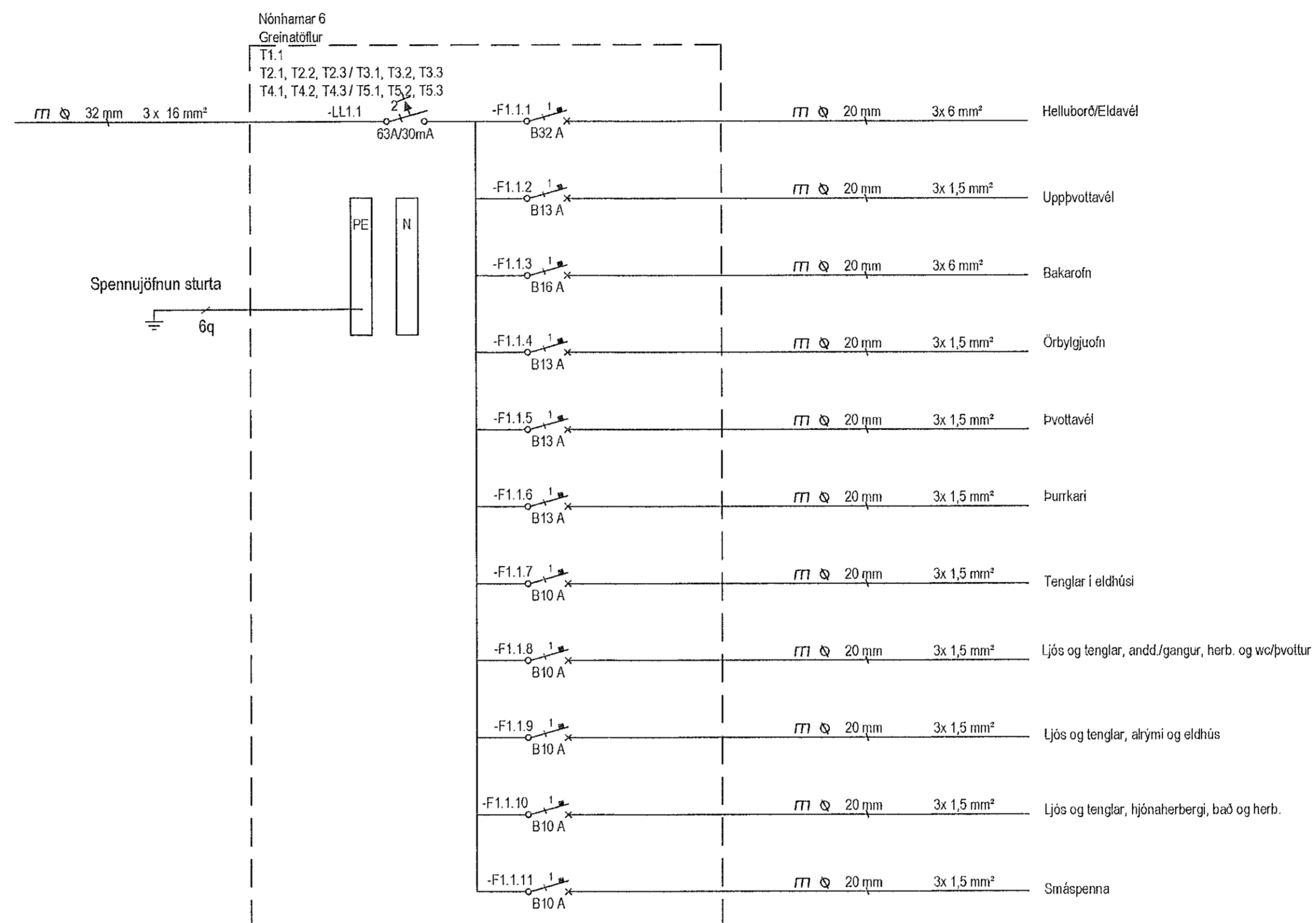
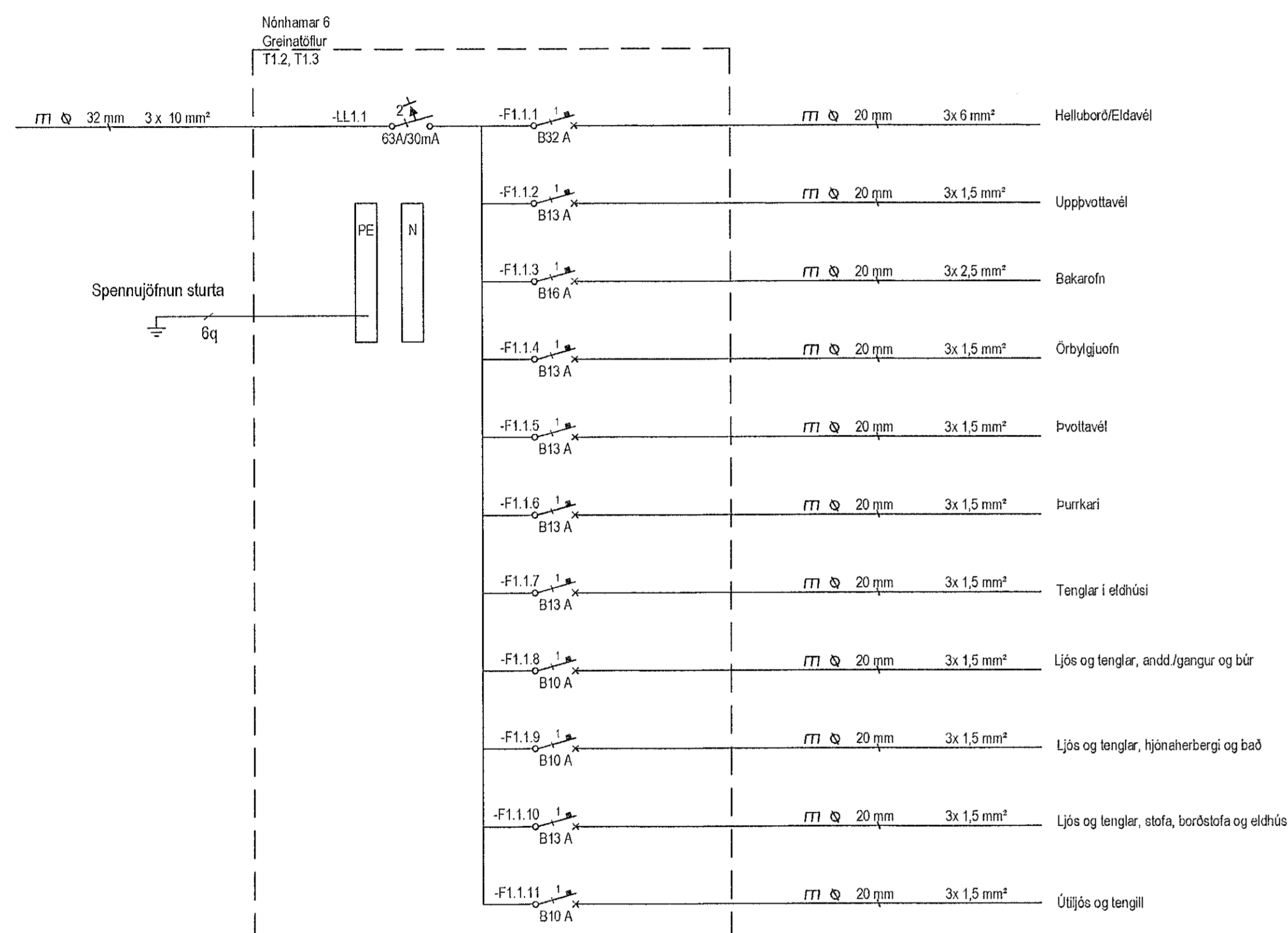


UTGÁFA	ÚTGÁFUFERILL	MANNAÐ	TEKNI	YFIRF.
---	---	---	---	---
---	---	---	---	---
---	---	---	---	---
---	---	---	---	---
---	---	---	---	---
---	---	---	---	---
---	---	---	---	---
---	---	---	---	---
---	---	---	---	---
---	---	---	---	---
---	---	---	---	---



t:\svanbjorn\2021_02_03_nonhamar_6\rysak_riimuggen\taunngar0_40_aleksandar_mflagnir.dwg

TESLA ehf
Rafagna- og lýsingarhönnun
Svanbjörn Einarsson, kt.180265-3339
698-2624, svanbjorn@teslaehf.is

Fjölbýlishús
Nónhamar 6

Rafkerfi
Greinatöflur íbúða

TEKNIKÍÐMÉR	SLAGTÆRÐ	HANNAÐ	SVE
20210203.1	A1	TEKNIKÍÐ	SVE
01_15_03		YFIRFARÐ	SVE
DAÐS	MÆLIKVARÐ	ÚTGÁFA	
2021.05.09	1:50	A	

Þagsetning aðskippráttar: 03.02.2021

Hönnuður: Svanbjörn Einarsson kt.180265-3339

Hönnunarsíða

[Handwritten signature]

0 1000 2000 3000 4000 5000
M 1:50 mm