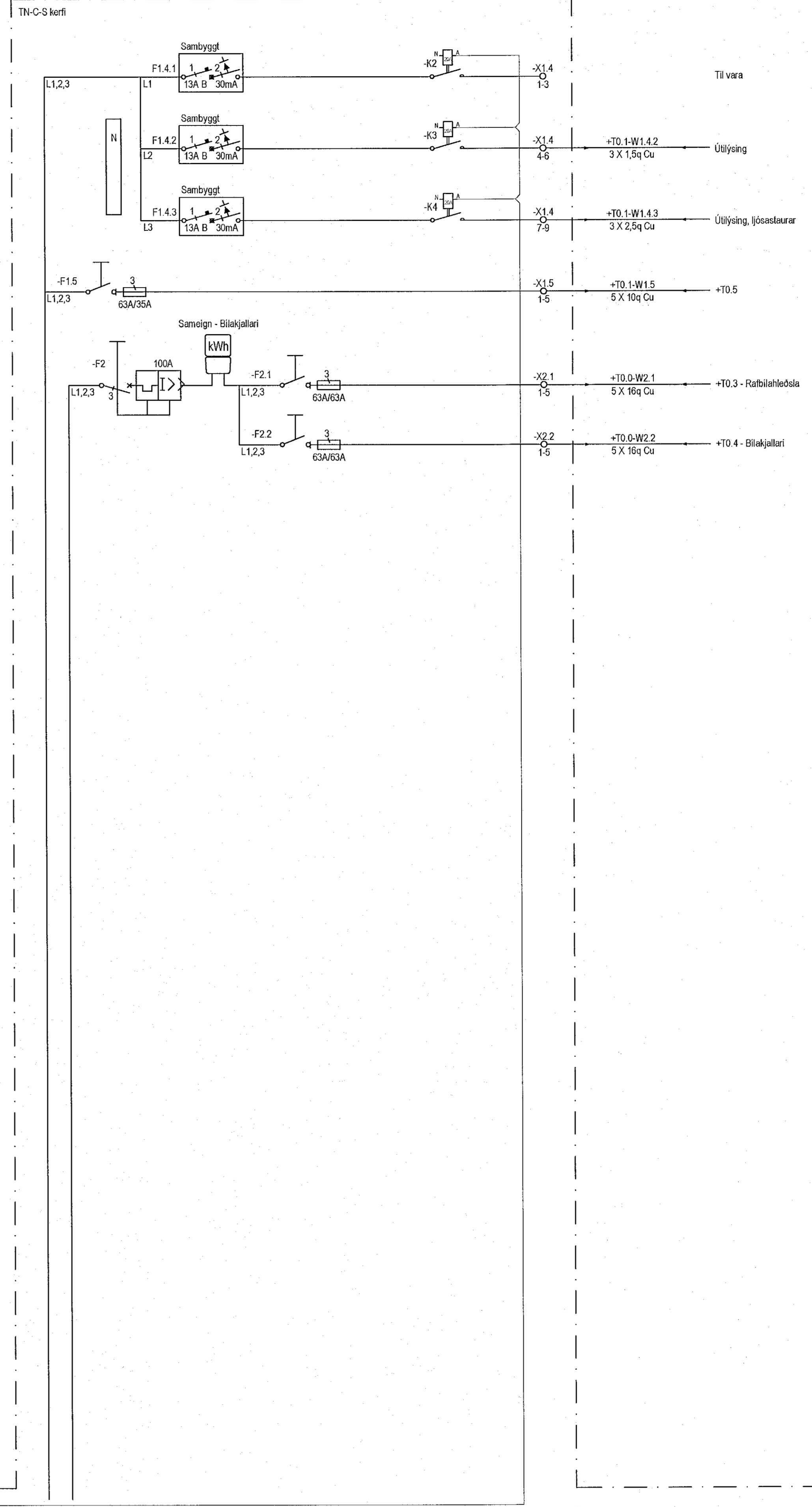
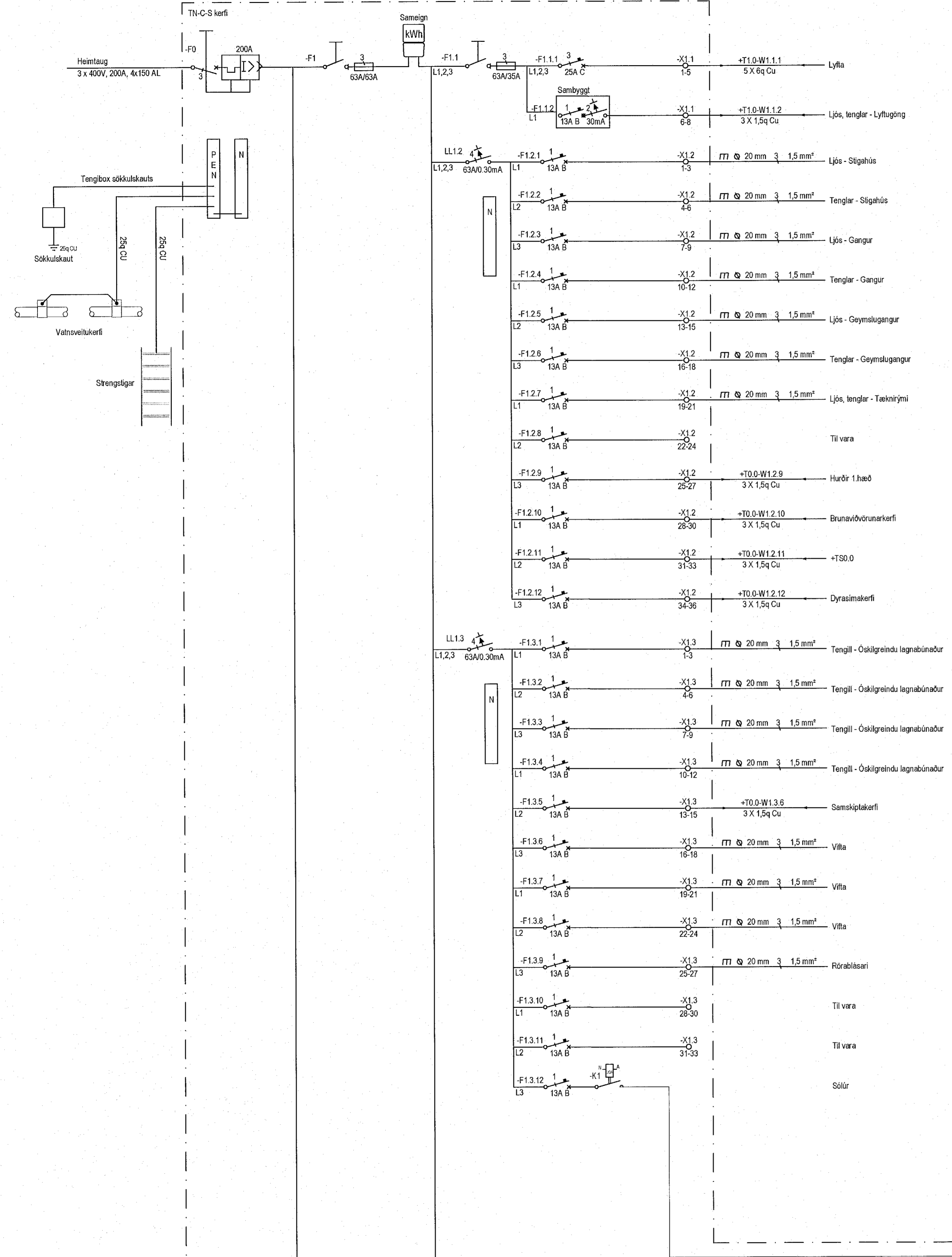


+T0.0 - Aðaltafía



MÓTTÉKID
2.0. SEP. 2022
Byggingarfulltrúgningur / Hafnarfirði

Skýringar:

AS
HÖNNUN OG RÁÐGJÖF
Olfarsbraut 80
113 Reykjavík
agnarsv@protonmail.com
664-1293

Hannað:
Agnar Sveinsson
Yfirferið:
Agnar Sveinsson
Samþykkt: Agnar Sveinsson Kennit. 310872-3779
Aðalhönnuður: *[Signature]*

Br. númer	Dagsetning	Skýring
B1	19.9.2022	Heildarselt
---	---	---
---	---	---
---	---	---
---	---	---

Fjölþýlishús
Hringhamar 35, 37
221 Hafnarfjörður

Einlínunmynd +T0.0 (35)
Kjallari
Enginn