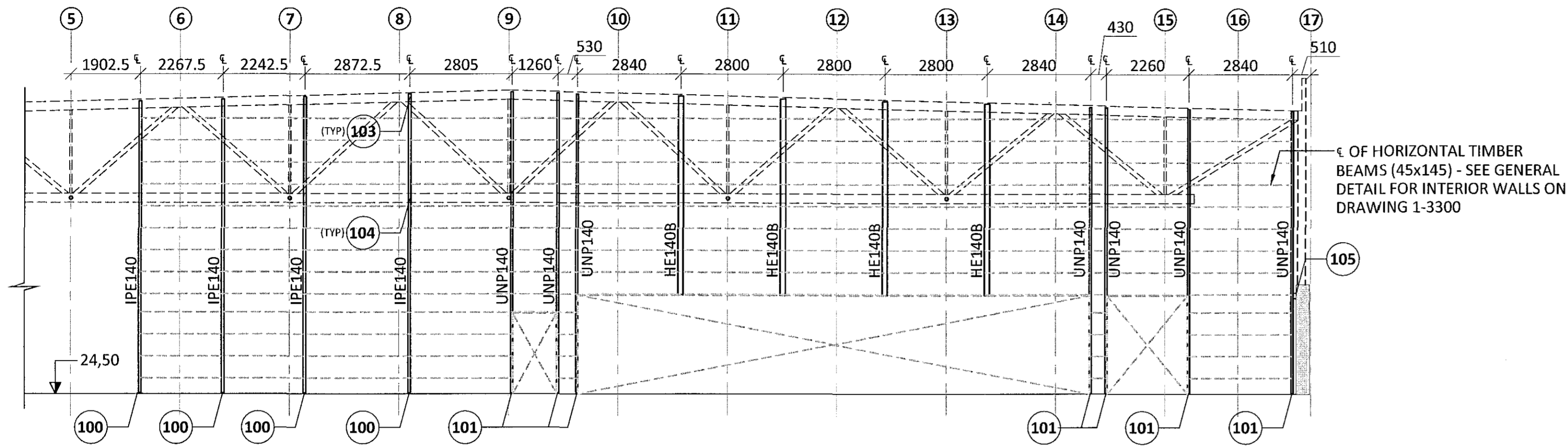
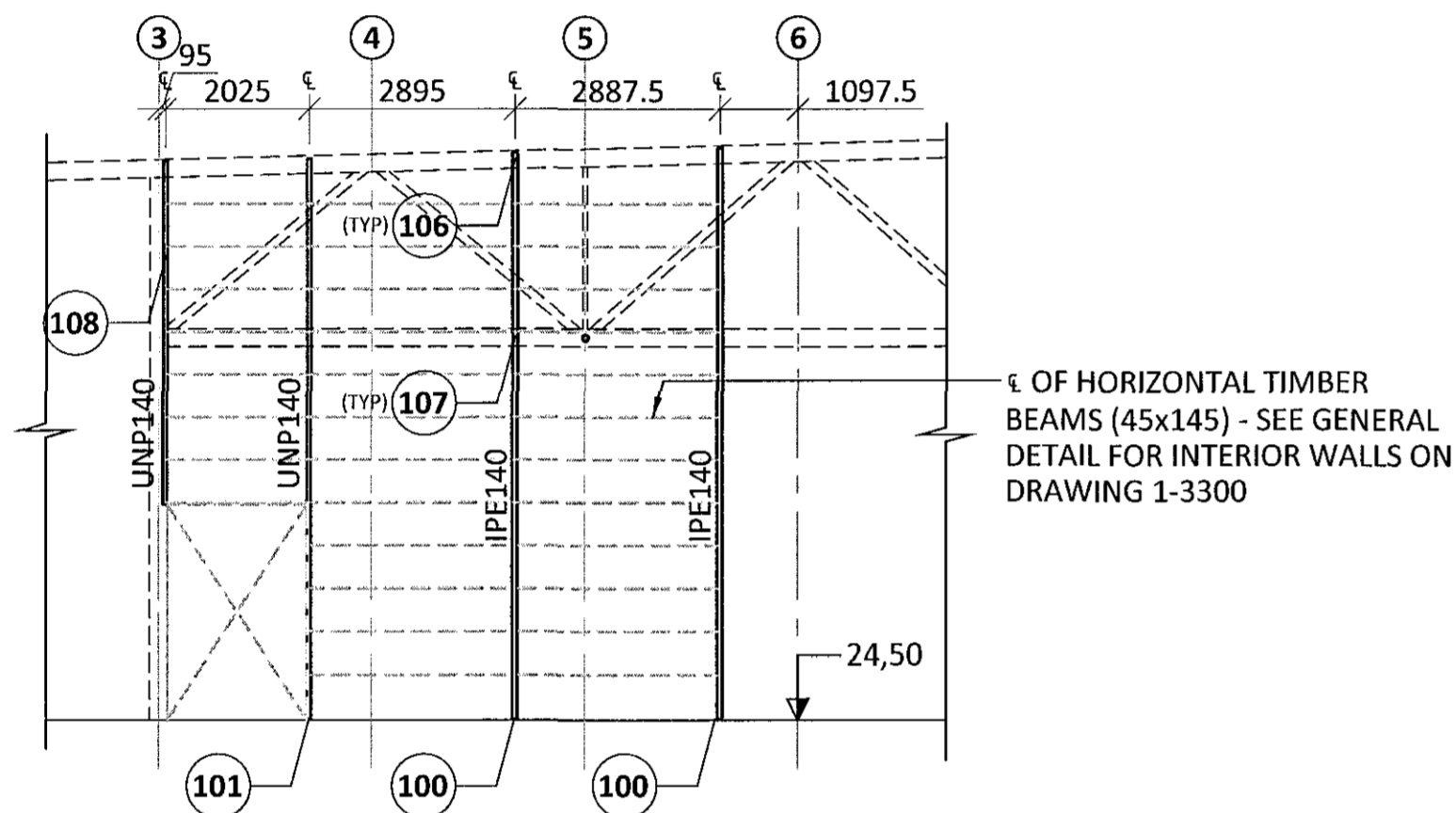


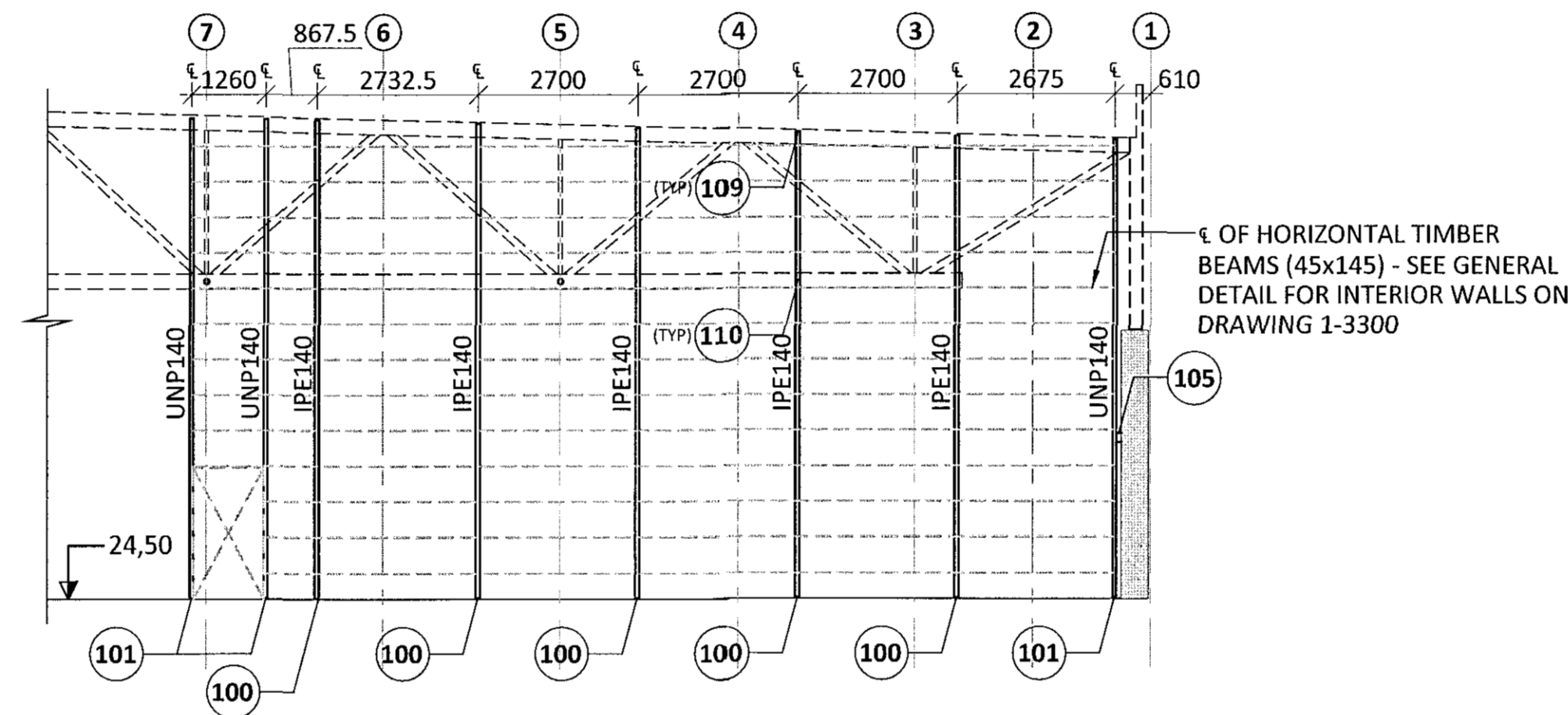
ELEVATION VIEW - INTERIOR WALL V001 - SC1:100



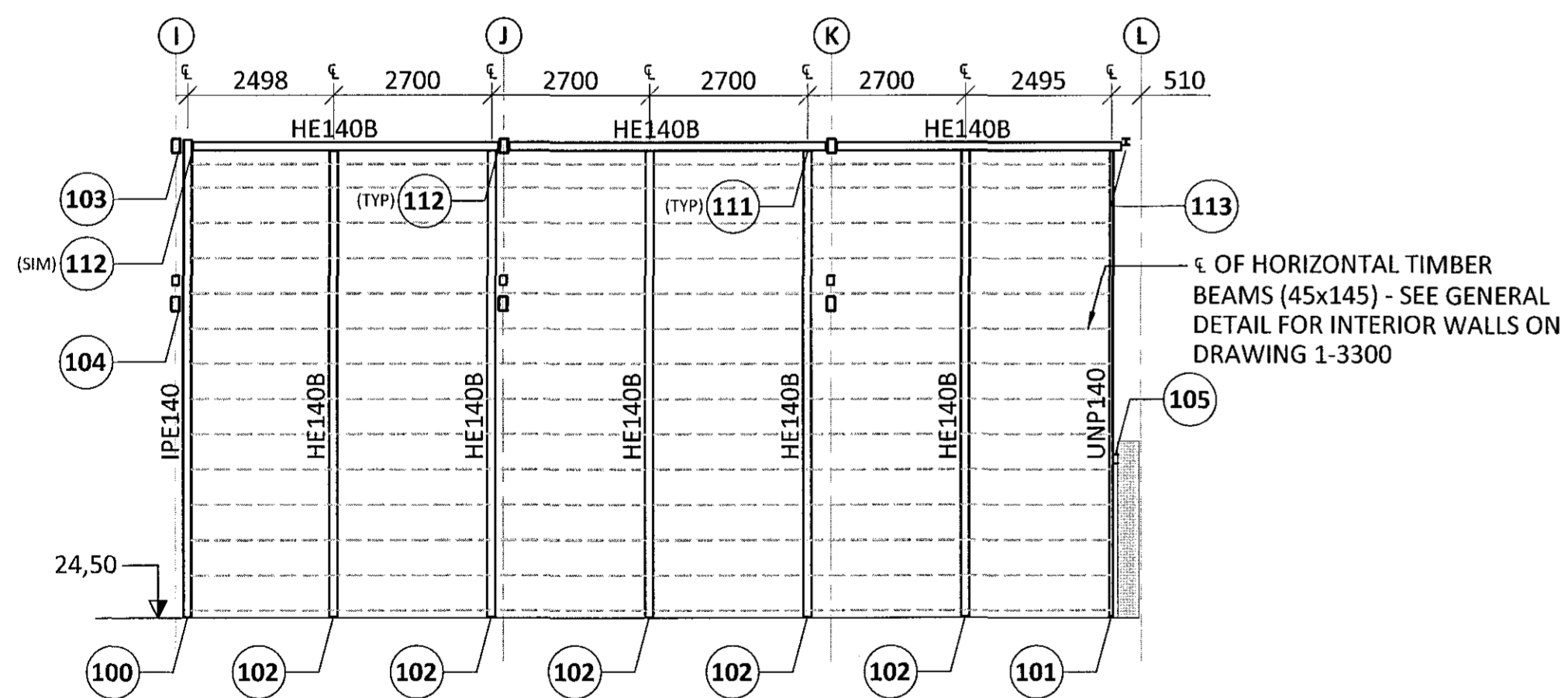
ELEVATION VIEW - INTERIOR WALL V002 - SC1:100



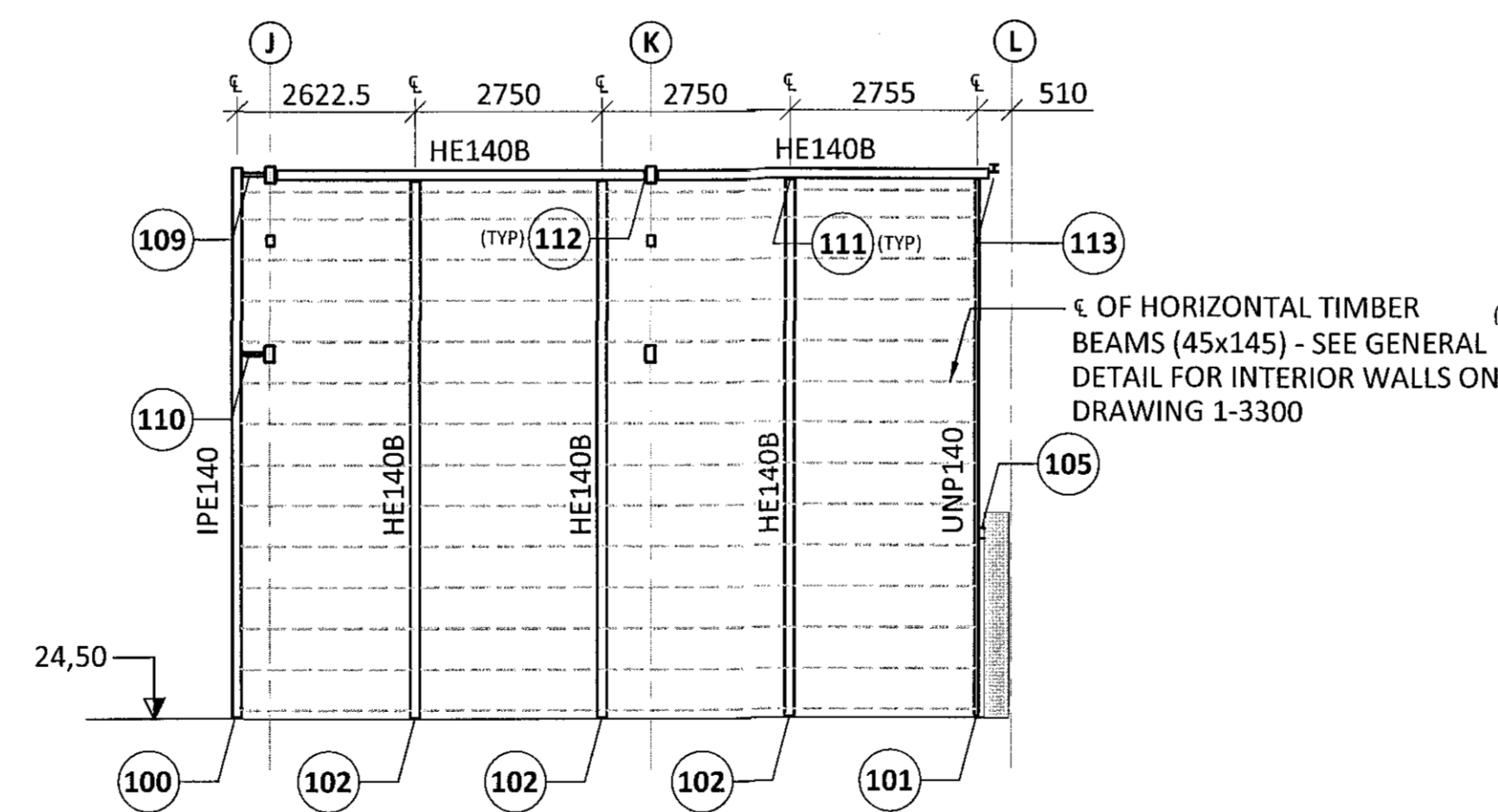
ELEVATION VIEW - INTERIOR WALL V003 - SC1:100



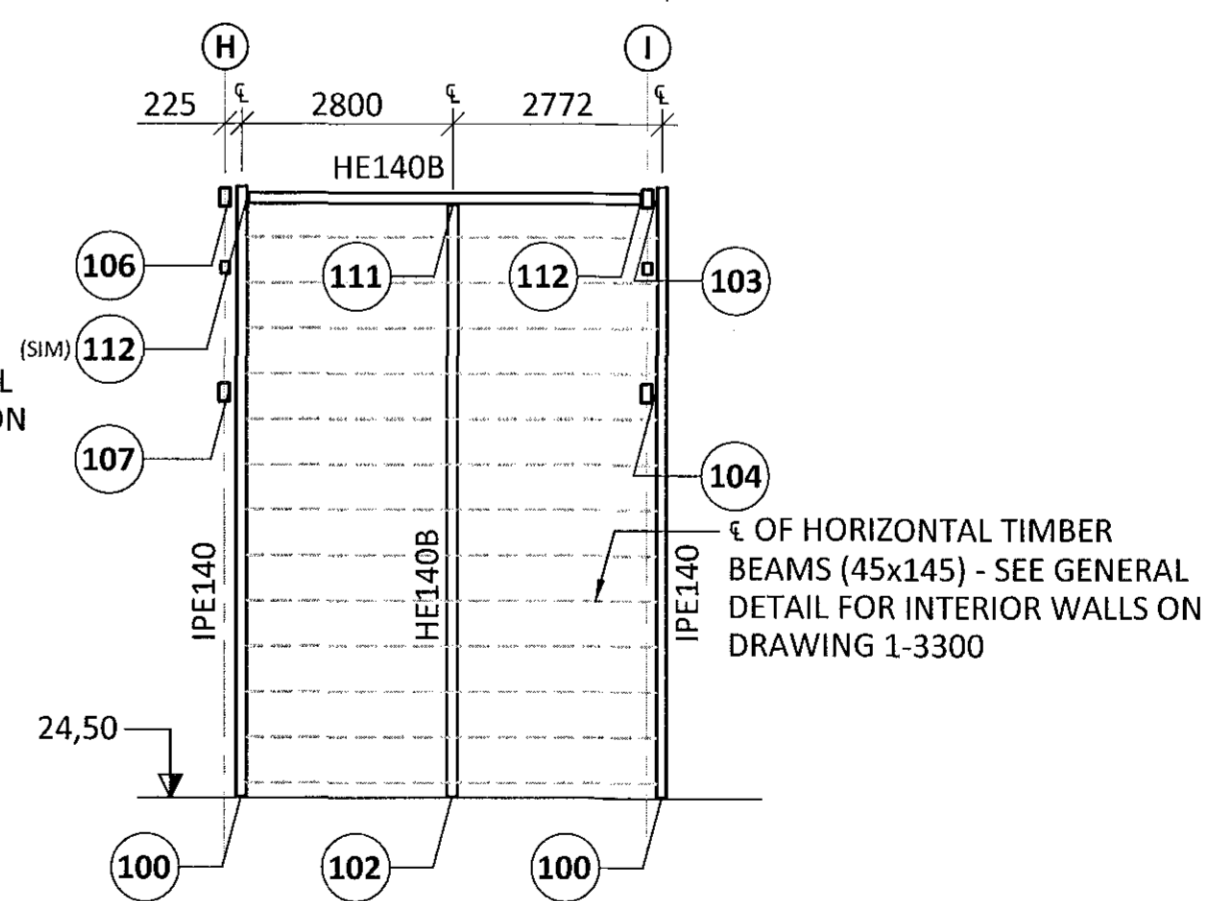
ELEVATION VIEW - INTERIOR WALL V004 - SC1:100



ELEVATION VIEW - INTERIOR WALL V005 - SC1:100



ELEVATION VIEW - INTERIOR WALL V006 - SC1:100



GENERAL NOTES FOR STEEL STRUCTURE:

- SEE DRAWING 1-1100 FOR GENERAL NOTES
- SEE DRAWING 1-3301+ FOR CONNECTIONS

(001) (002) .....

ÁRITUN ADALHÖNDUÐAR  
M.S.J. 2285649369

BR.	DAGS.	BREYTING



FLATAHRAUN 13 HAFNARFJÖRDUR  
NÝBYGGING KRÓNUVERSLUN  
STEEL STRUCTURE  
INTERIOR WALLS  
ELEVATIONS

SAMPYKKT: <i>Arndur Dinnarsdóttir</i> KT.			
HÖNNUÐUR	YFIRFARID	DAGS. UTG.	DAGS. BREYT.
AK	arngurimur@ferill.is	HE	09.09.15
MKV.	VERKNR.	TEIKN. NR.	BREYT.
1:100	14048	1 - 3002	
Ferill ehf. Mörkin 1 108 Reykjavík Sími: 575 1600 Fax: 575 1601 www.ferill.is			