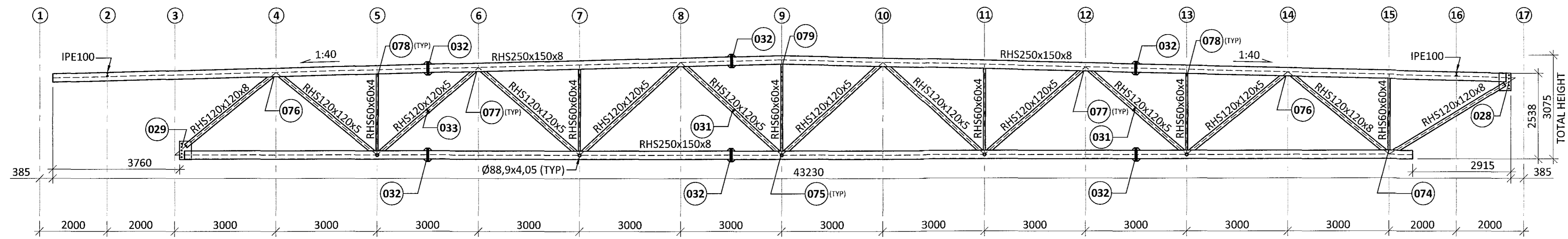
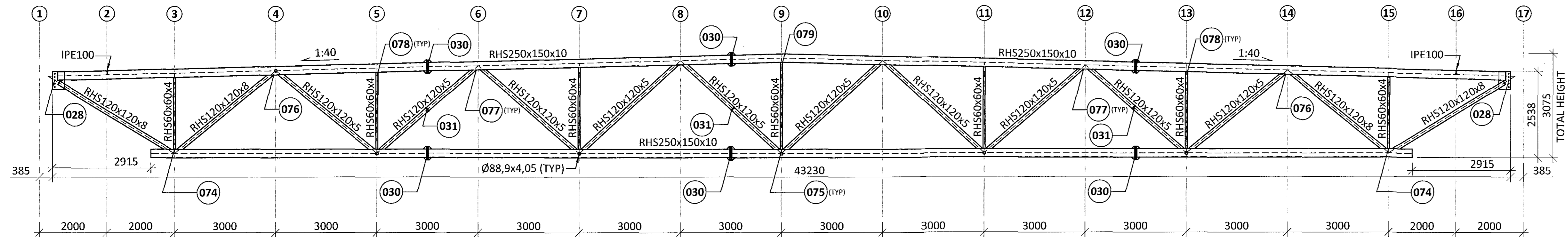


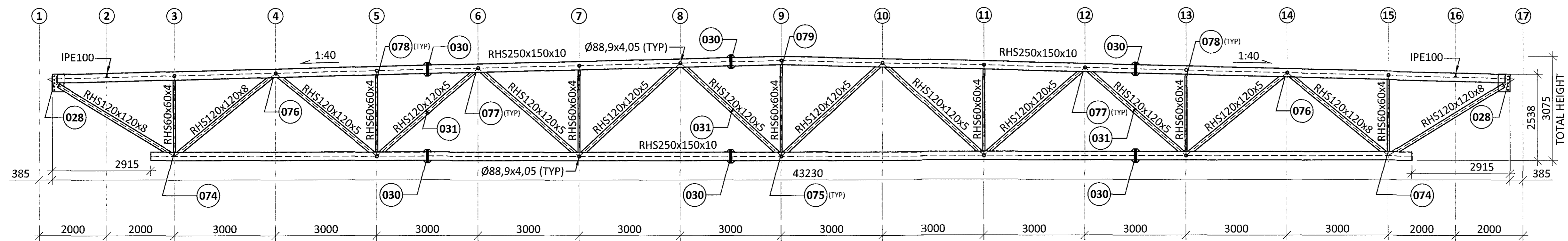
TRUSS 7 - SC1:75



TRUSS 8,9 - SC1:75



TRUSS 10 - SC1:75



ARITUN BYGGINGARFULLTRÚA

Sæmþykkt þann
28 SEP 2015
Byggingarkrónuværðing
Fh. Sigurður Steinar Jónsson

GENERAL NOTES FOR STEEL STRUCTURE:

- SEE DRAWING 1-1100 FOR GENERAL NOTES
- SEE DRAWING 1-3301+ FOR CONNECTIONS

(001), (002)

ARITUN ARALAGNINGAR 22.05.16-1443 57

| | | |
|-----|-------|----------|
| BR. | DAGS. | BREYTING |
| | | |
| | | |
| | | |

ferill
VERKFRÆÐISTOFA

FLATAHRAUN 13 HAFNARFJÖRÐUR
NÝBYGGING KRÖNUVERSLUN
STEEL STRUCTURE
TRUSSES
ELEVATIONS

SAMÞYKKT *Andri Dinnarski* KT. 070970-4149

| | | | |
|-------------------|------------------|-------------------------|-------------------|
| HÖNNUÐUR AK | YFIRFARIÐ HE | DAGS. ÚTGE. 09.09.15 | DAGS. BREYTT. |
| TKV. (A1) 1:75 | VERKNR. 14048 | TEKNI. NR. 1 - 3201 | BREYTT. |

Ferill ehf. Mörkin 1 108 Reykjavík Sími: 575 1600 Fax: 575 1601 www.ferill.is