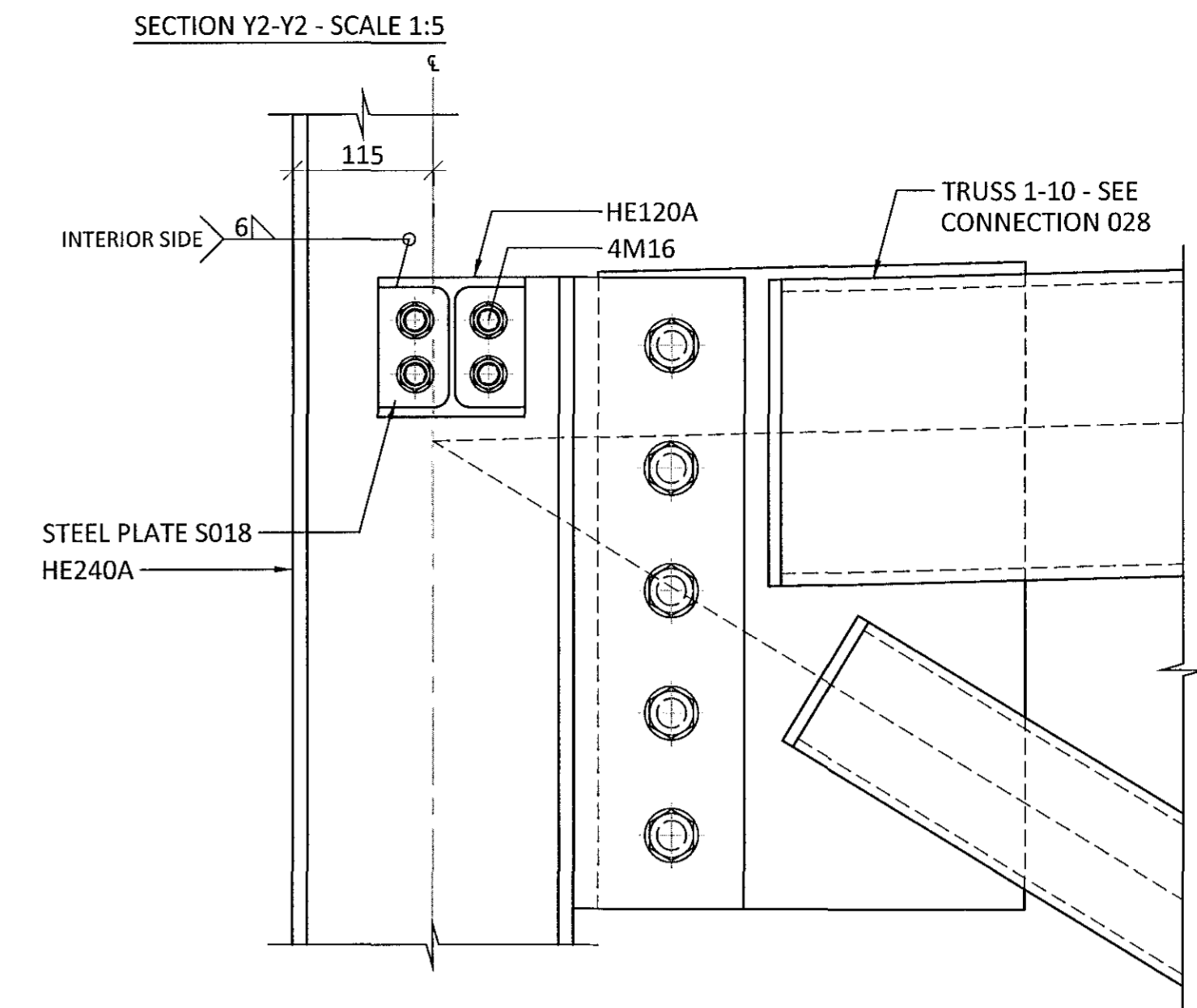
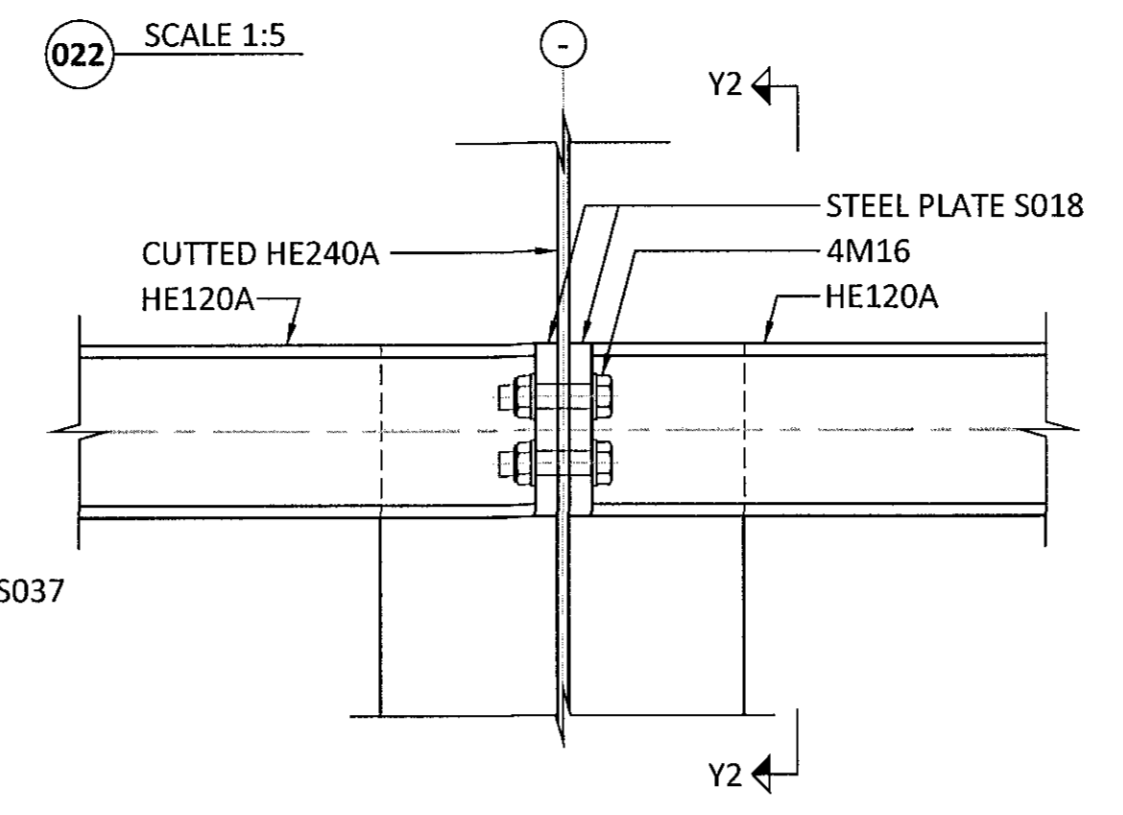
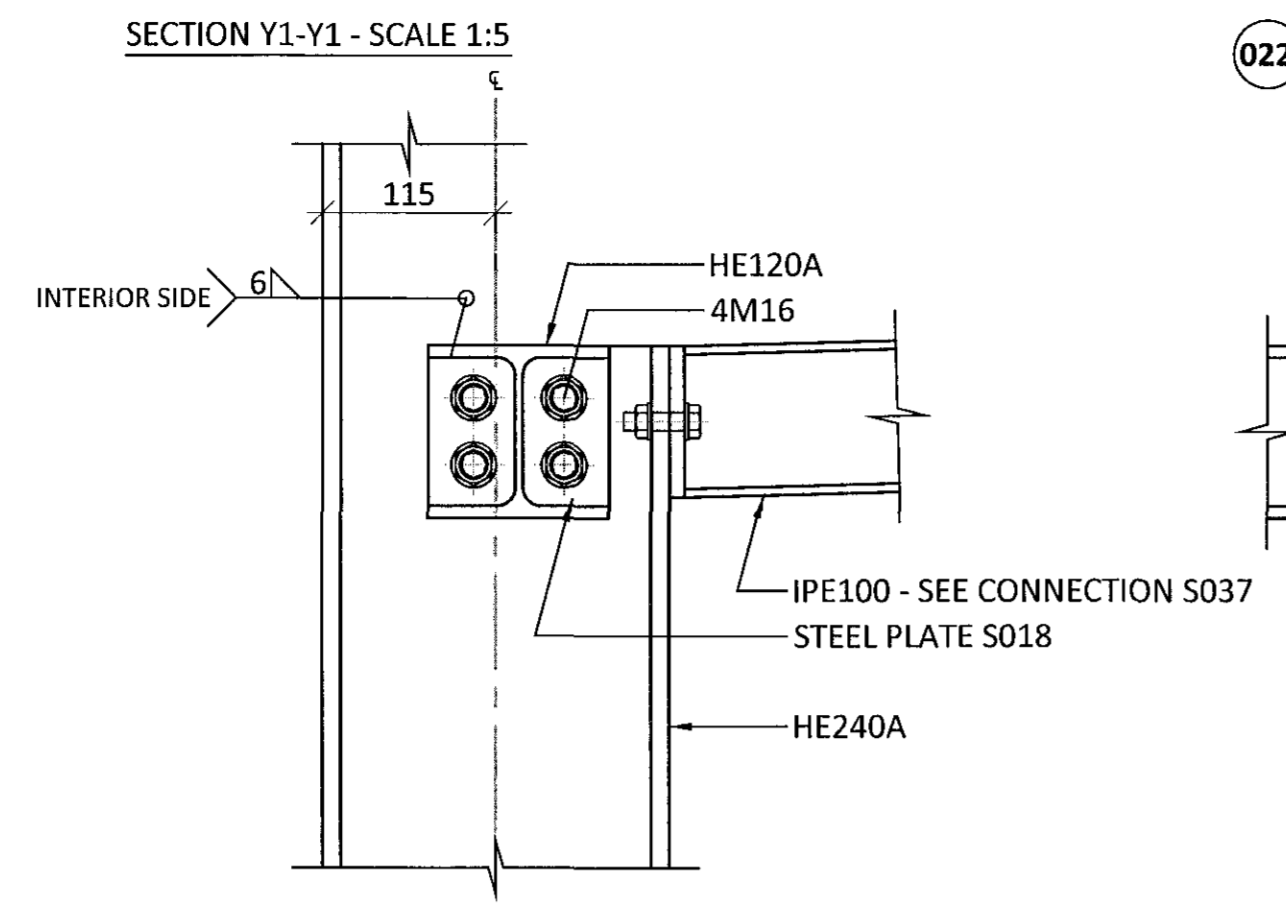
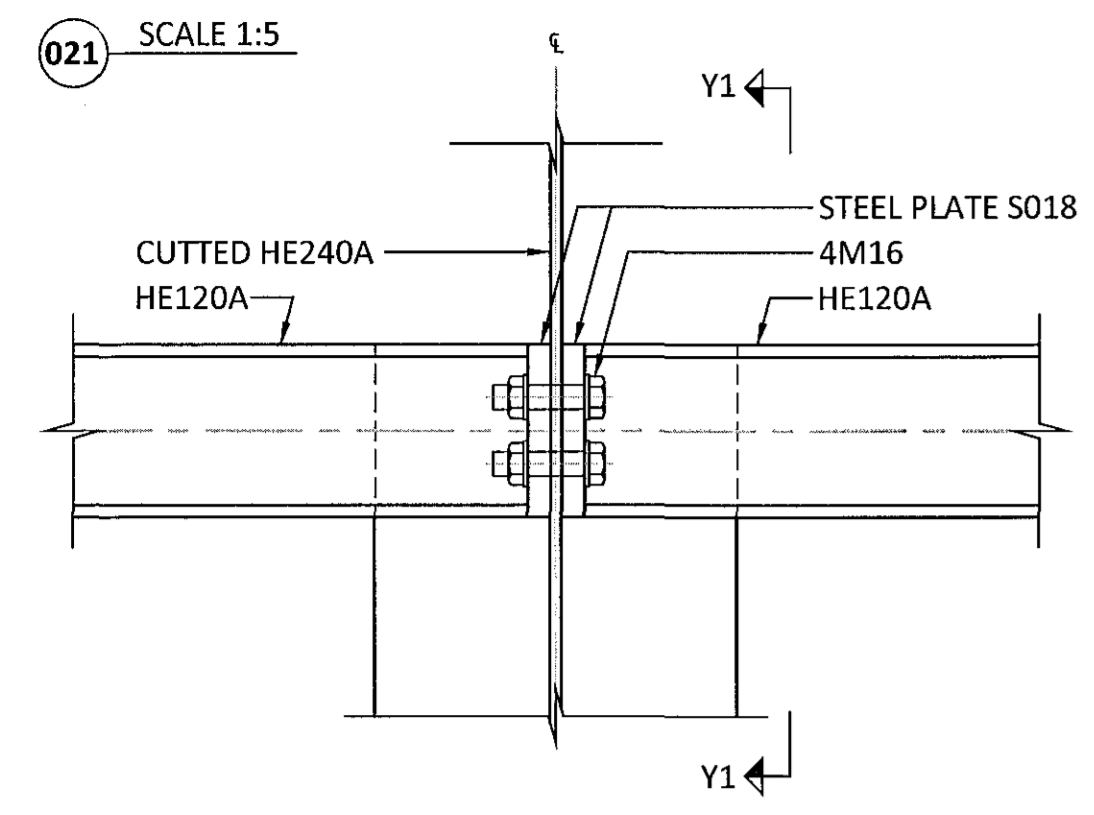
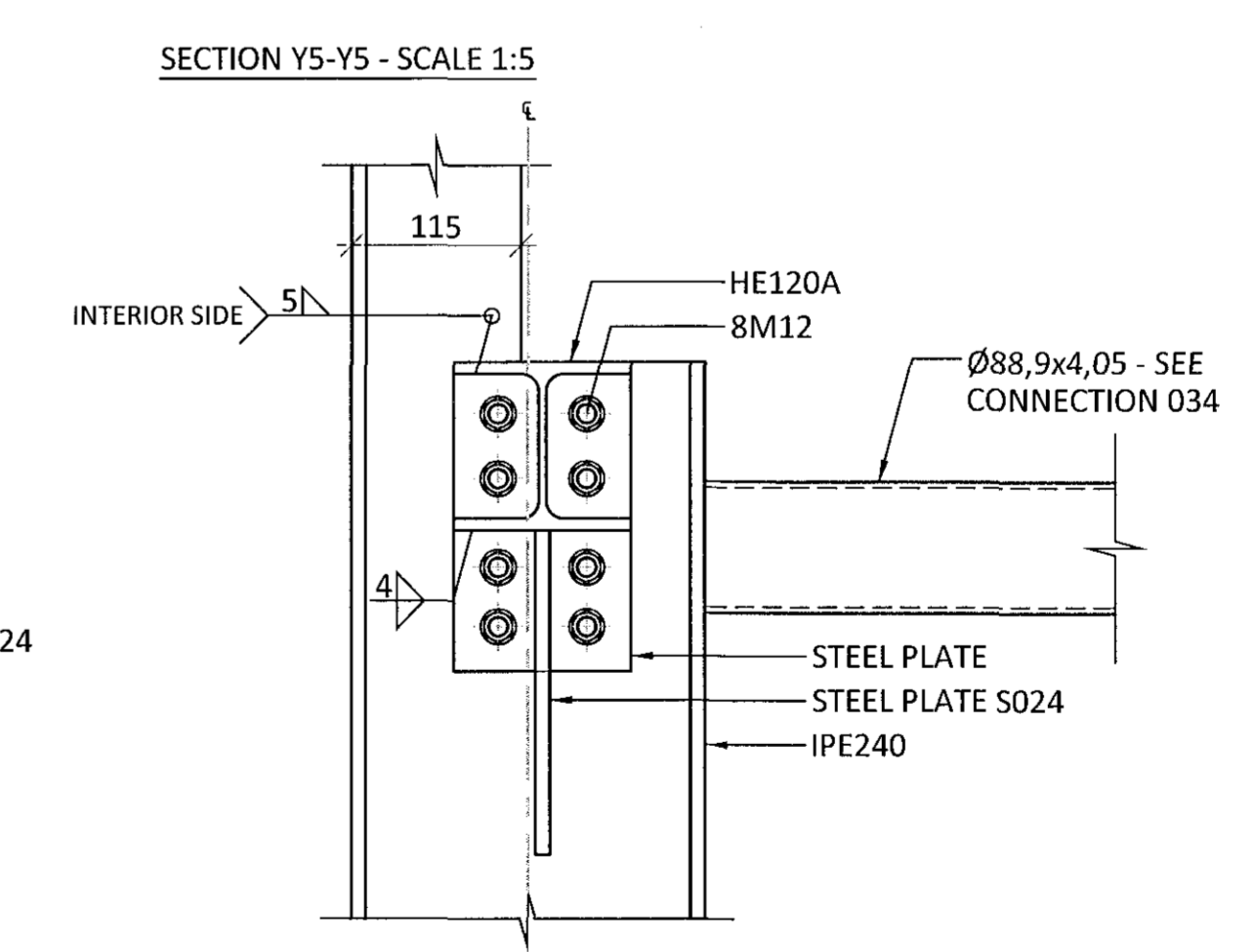
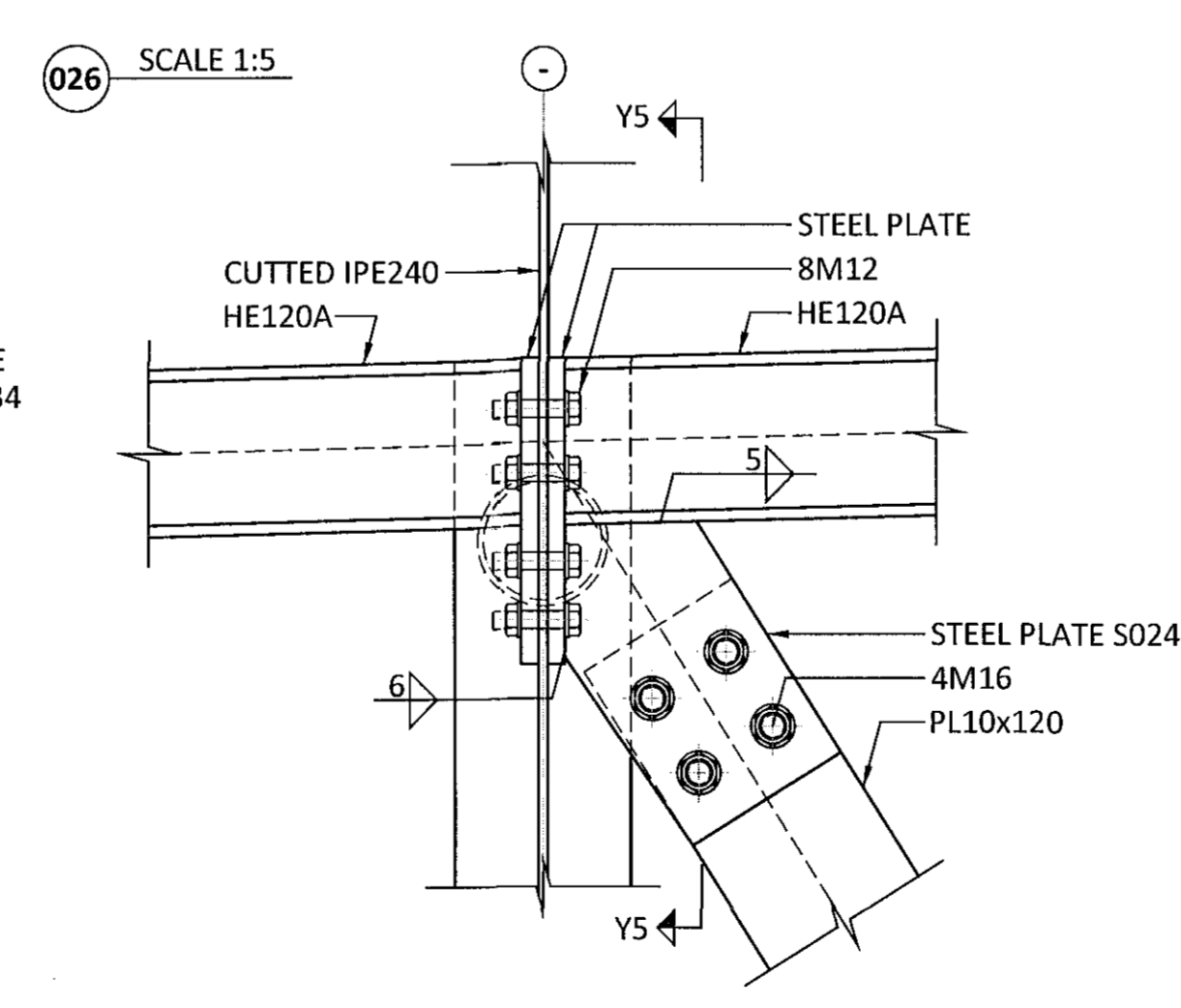
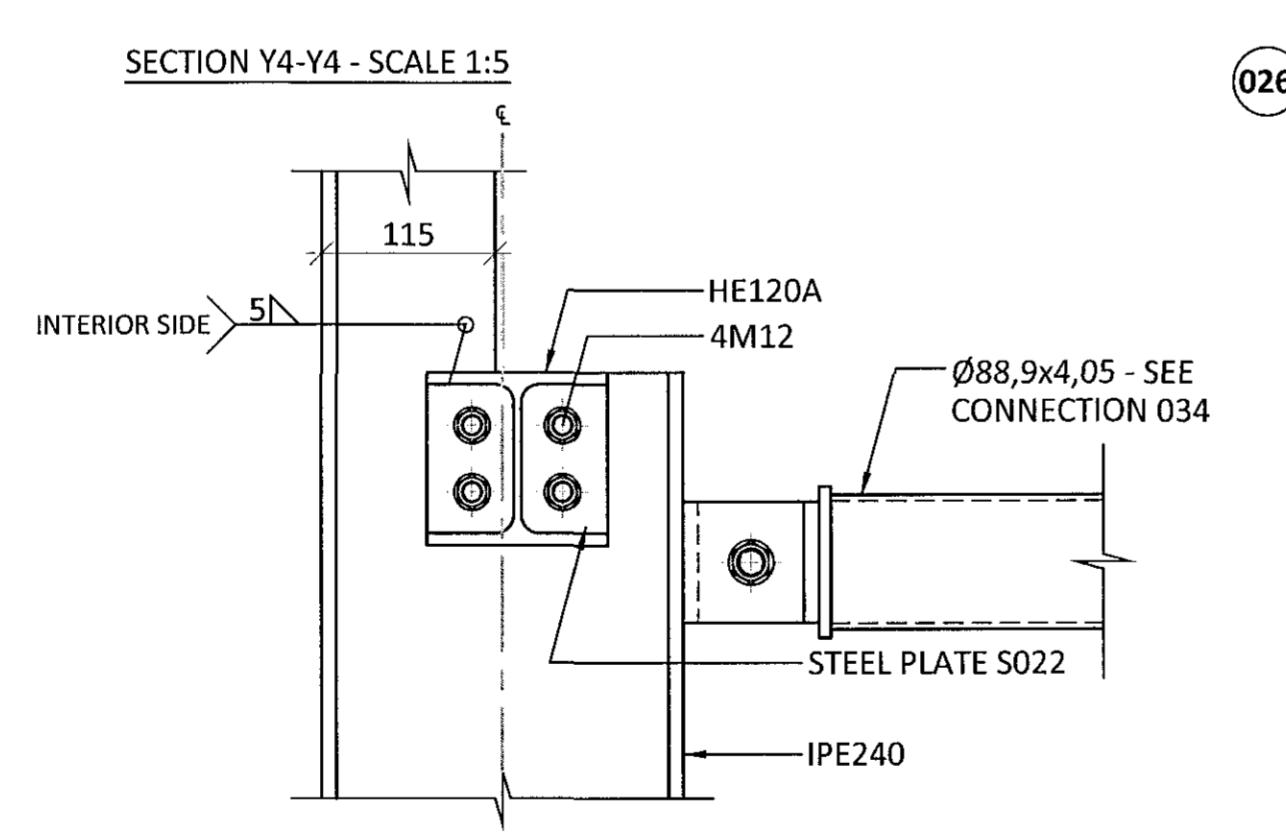
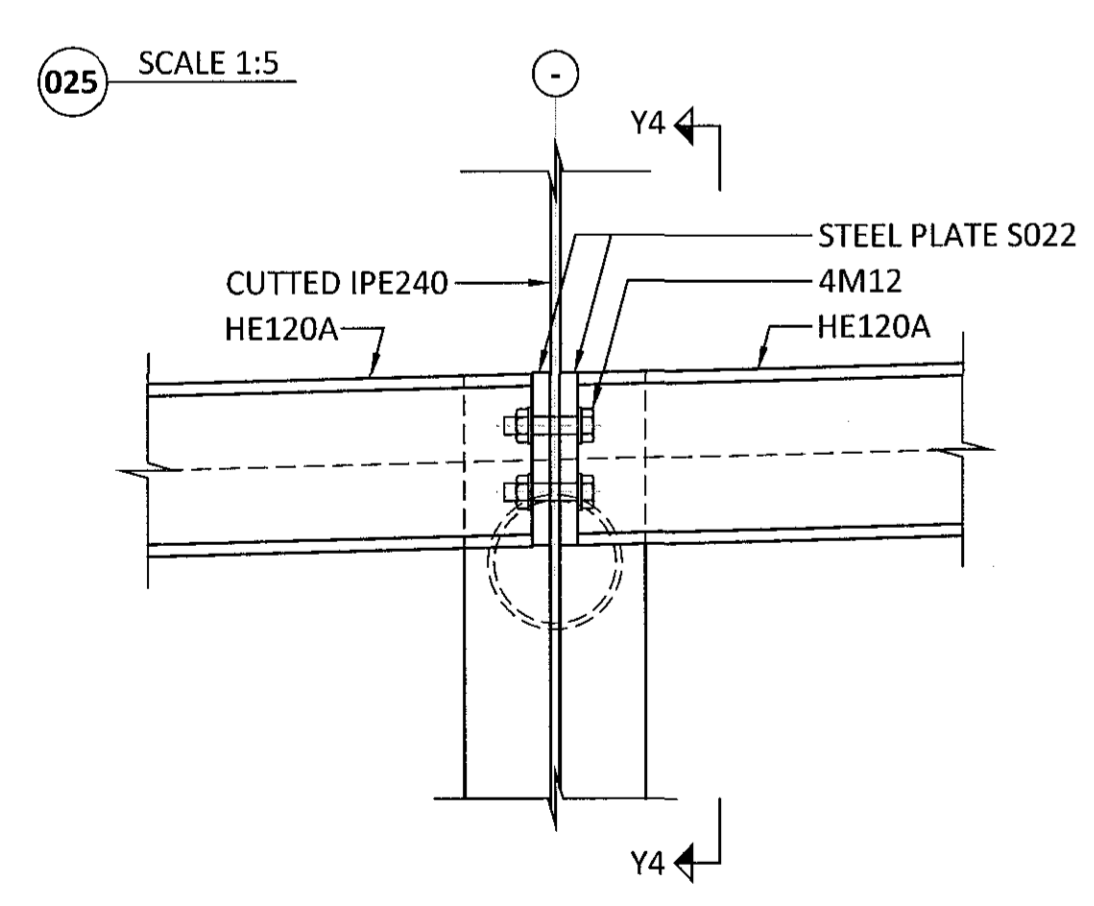
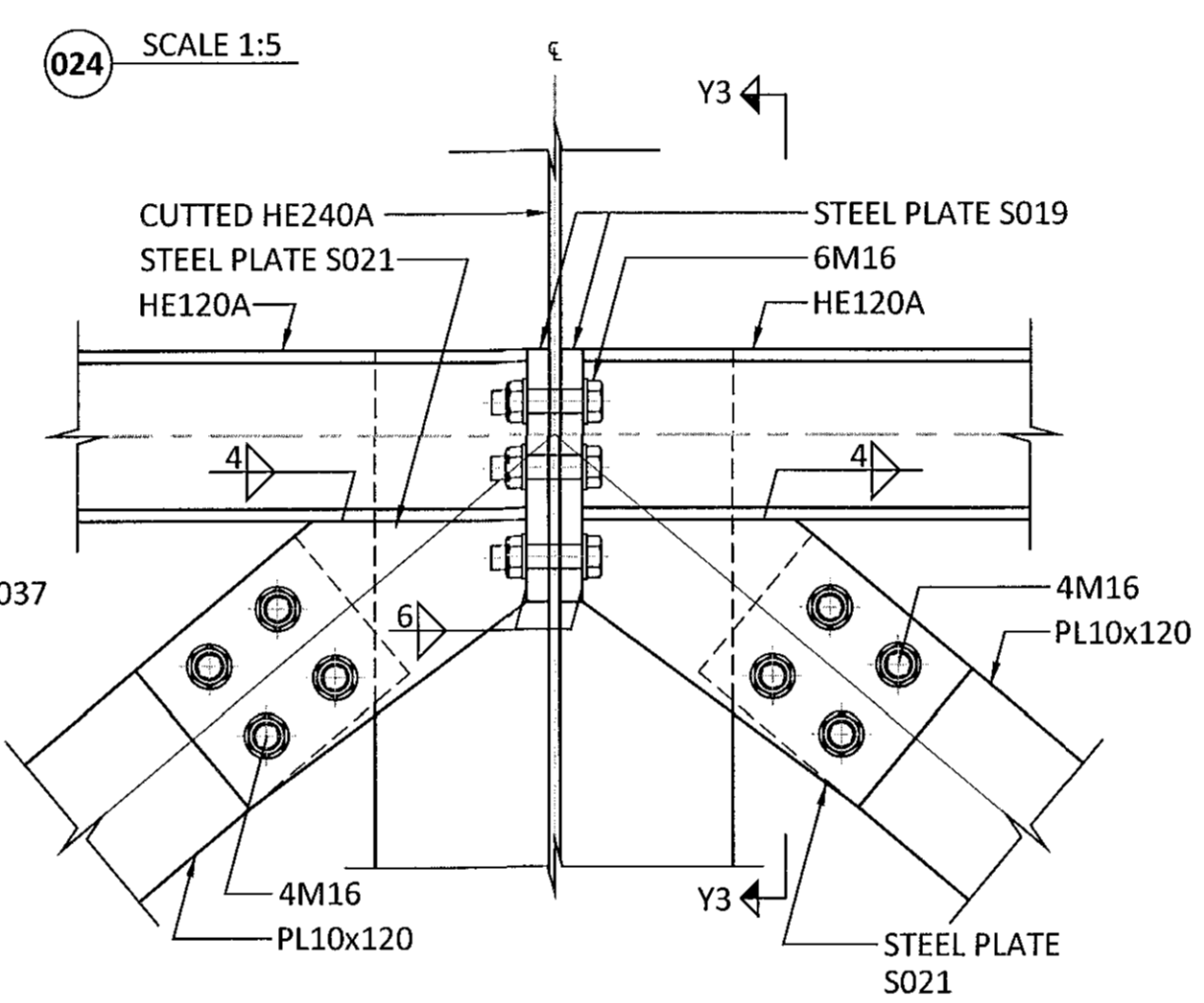
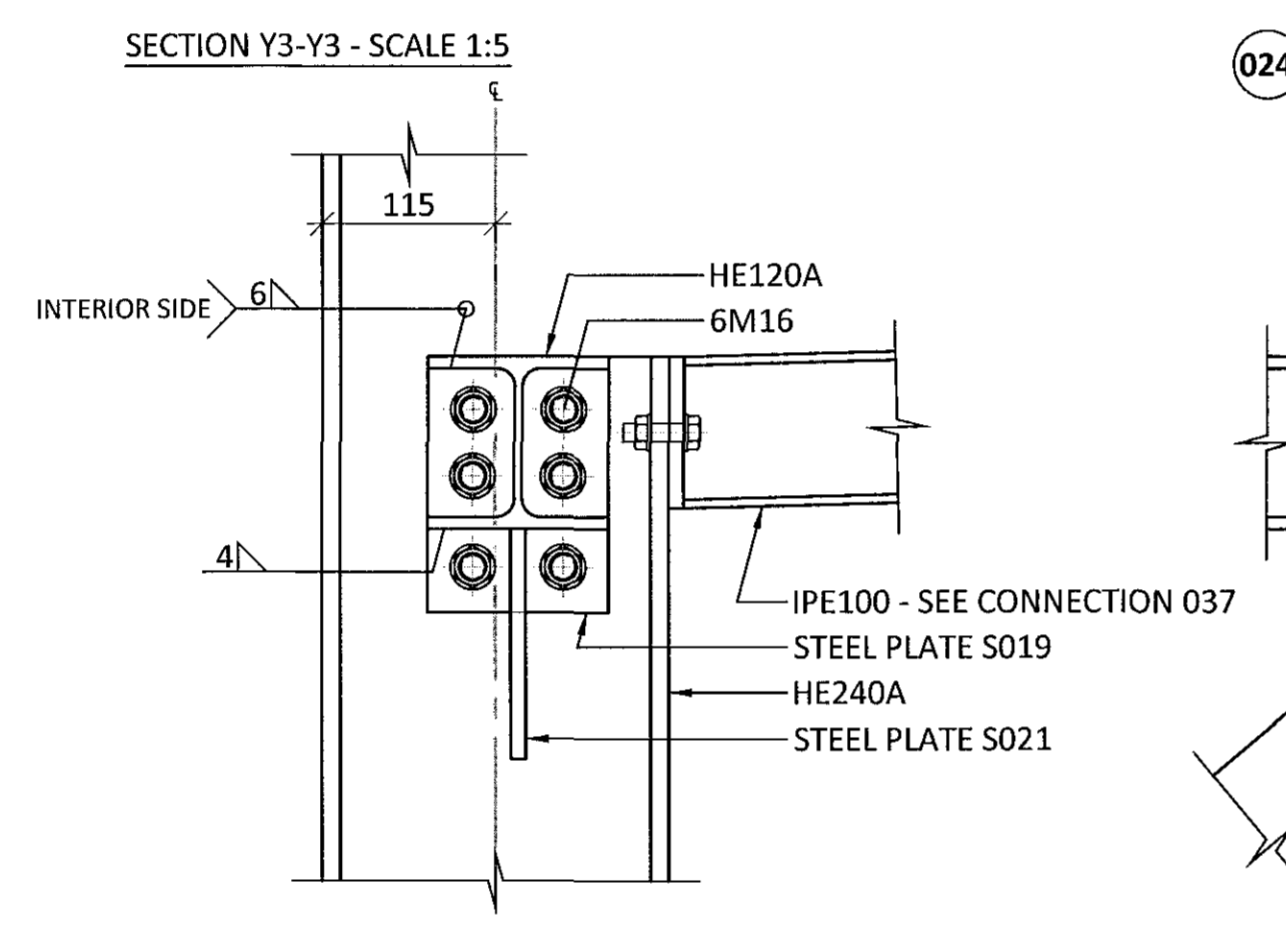
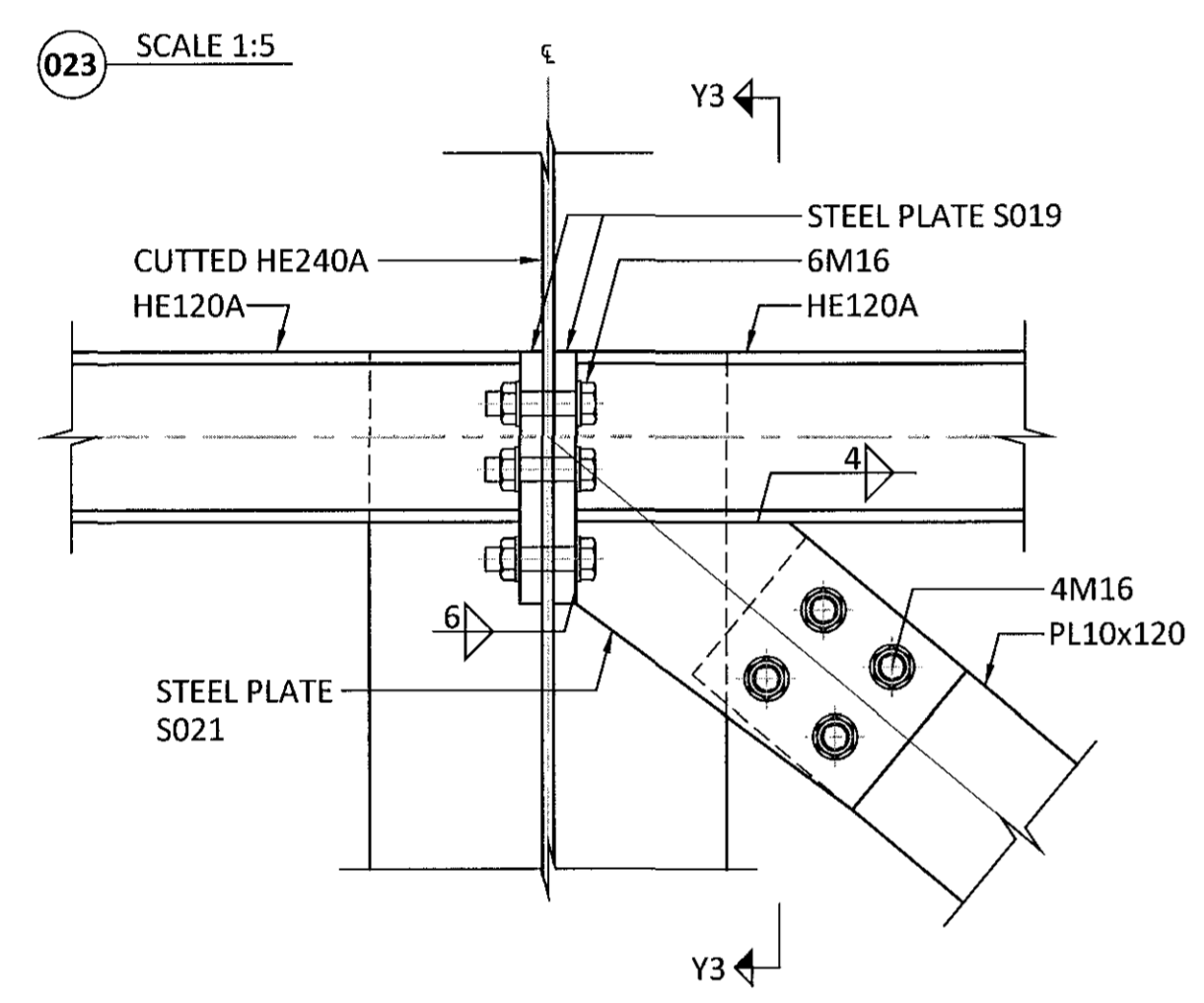


Sampykkt þarfti  
 28 SEP 2015  
 Byggingarfulltrúastofa  
 Fl. Sigurður Steinarsson



GENERAL NOTES FOR STEEL STRUCTURE:  
 • SEE DRAWING 1-1100 FOR GENERAL NOTES  
 • SEE DRAWING 1-3350+ FOR STEEL PLATES



ÁRITUNARFULLTRÚA  
 22.08.2015

BR.	DAGS.	BREYTING

**ferill**  
 VERKFRÆÐISTOFA

FLATAHRAUN 13 HAFNARFJÖRDUR  
 NÝBYGGING KRÖNUVERSLUN  
 STEEL STRUCTURE CONNECTIONS

HONNUÐUR	YFIRFARID	DAGS. ÚTG.	DAGS. BREYT.
AK	HE	09.09.15	
MKV.	VERKNR.	TEIKN. NR.	BREYT.
1:5	14048	1 - 3303	