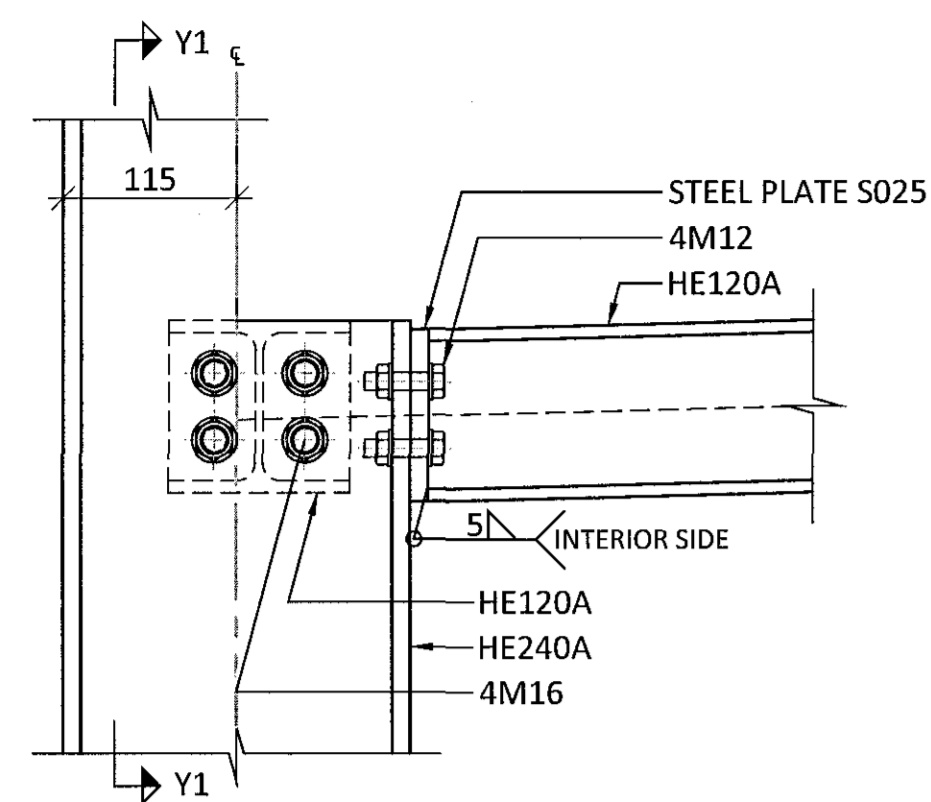


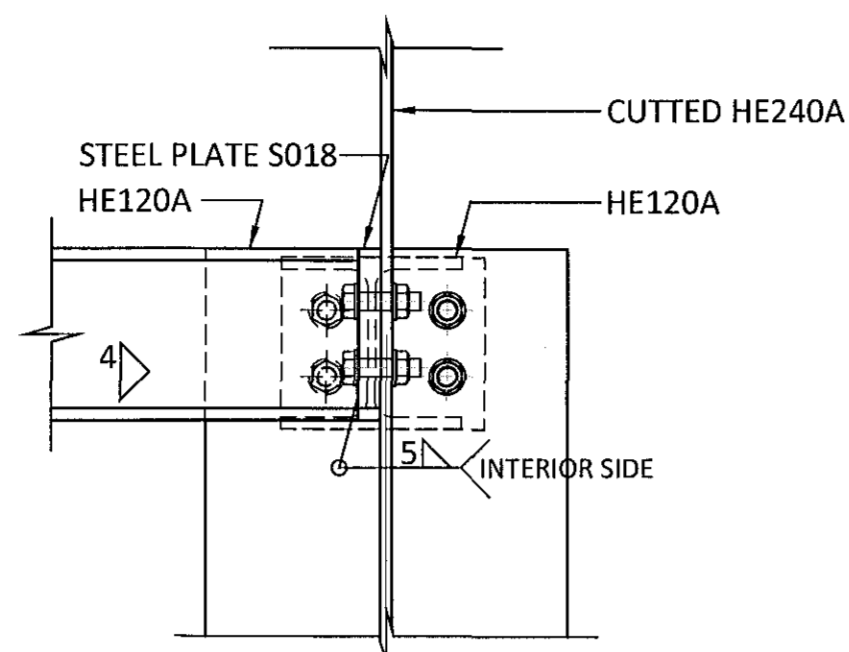
GENERAL NOTES FOR STEEL STRUCTURE:

- SEE DRAWING 1-1100 FOR GENERAL NOTES
- SEE DRAWING 1-3350+ FOR STEEL PLATES

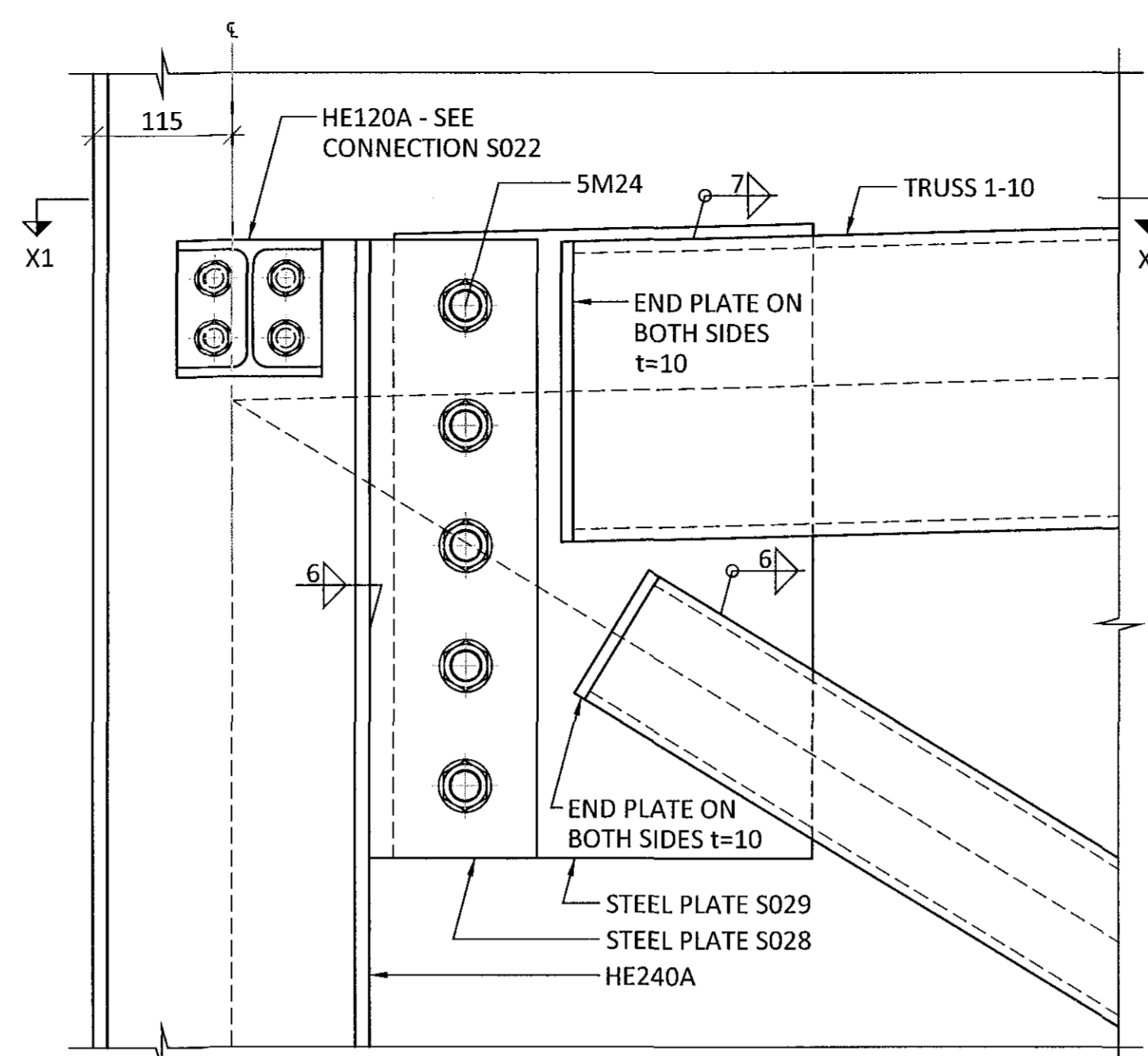
027 SCALE 1:5



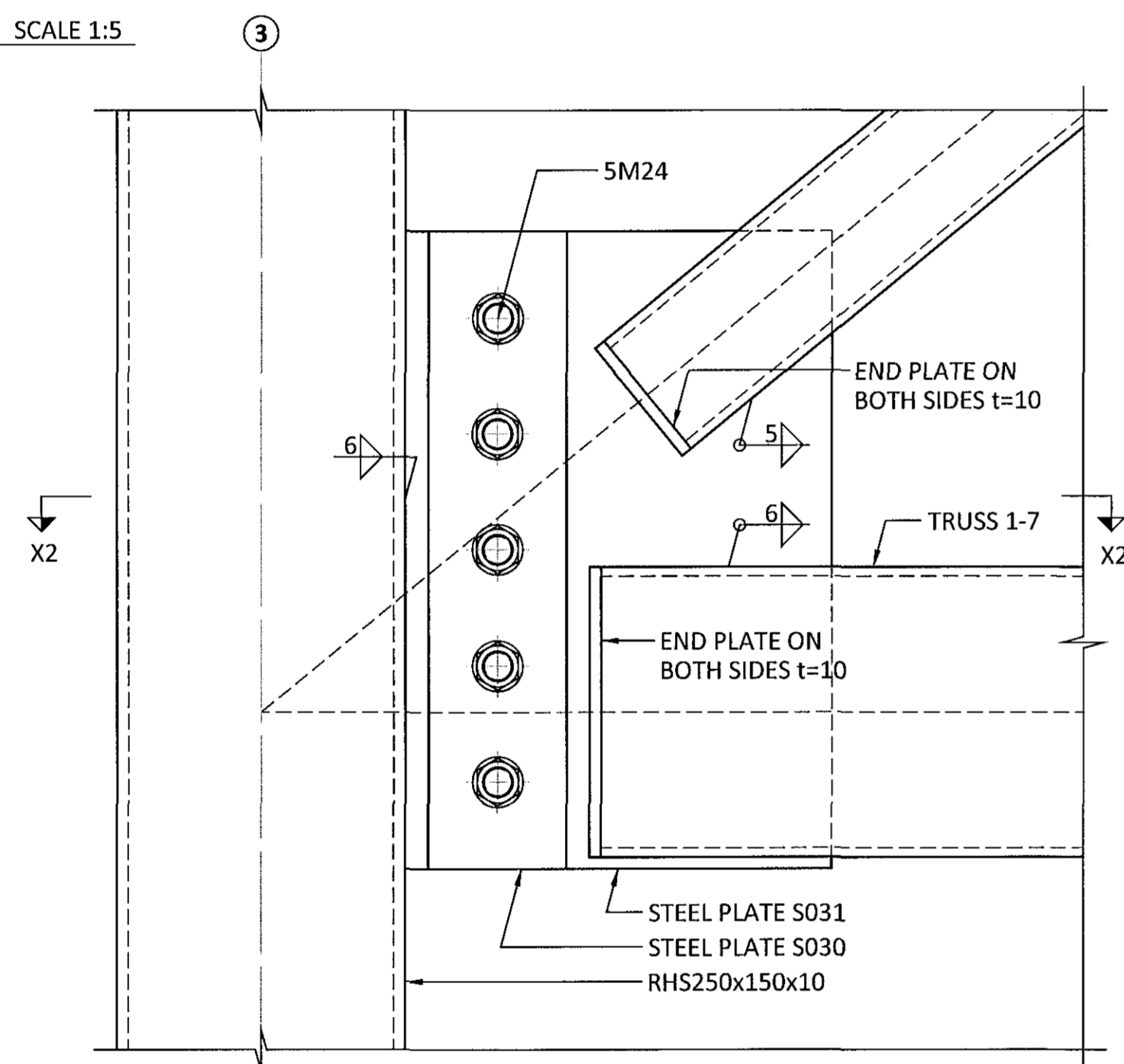
SECTION Y1-Y1 - SCALE 1:5



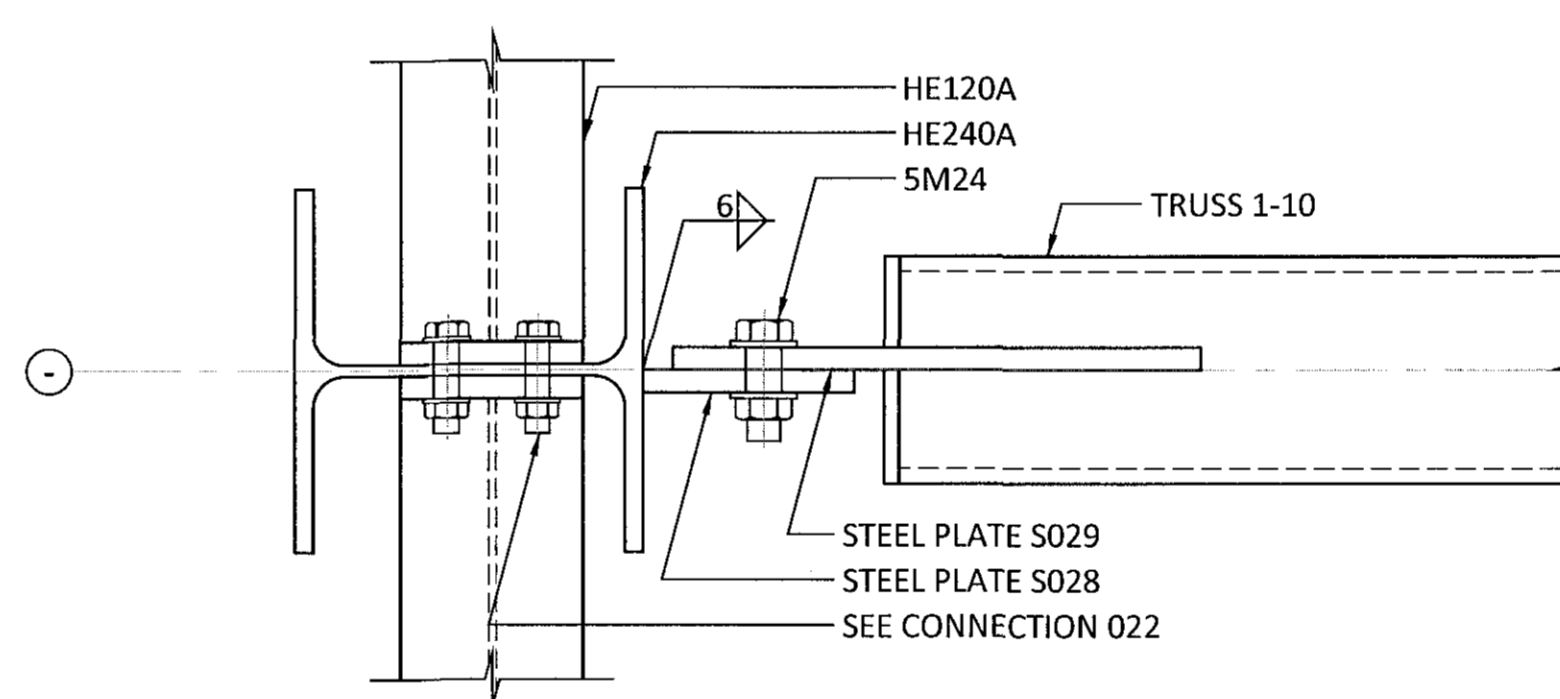
028 SCALE 1:5



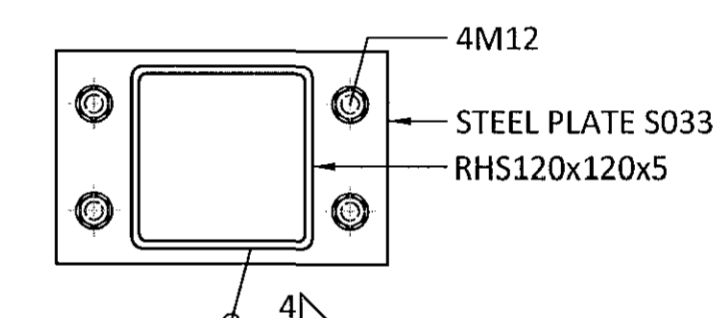
029 SCALE 1:5



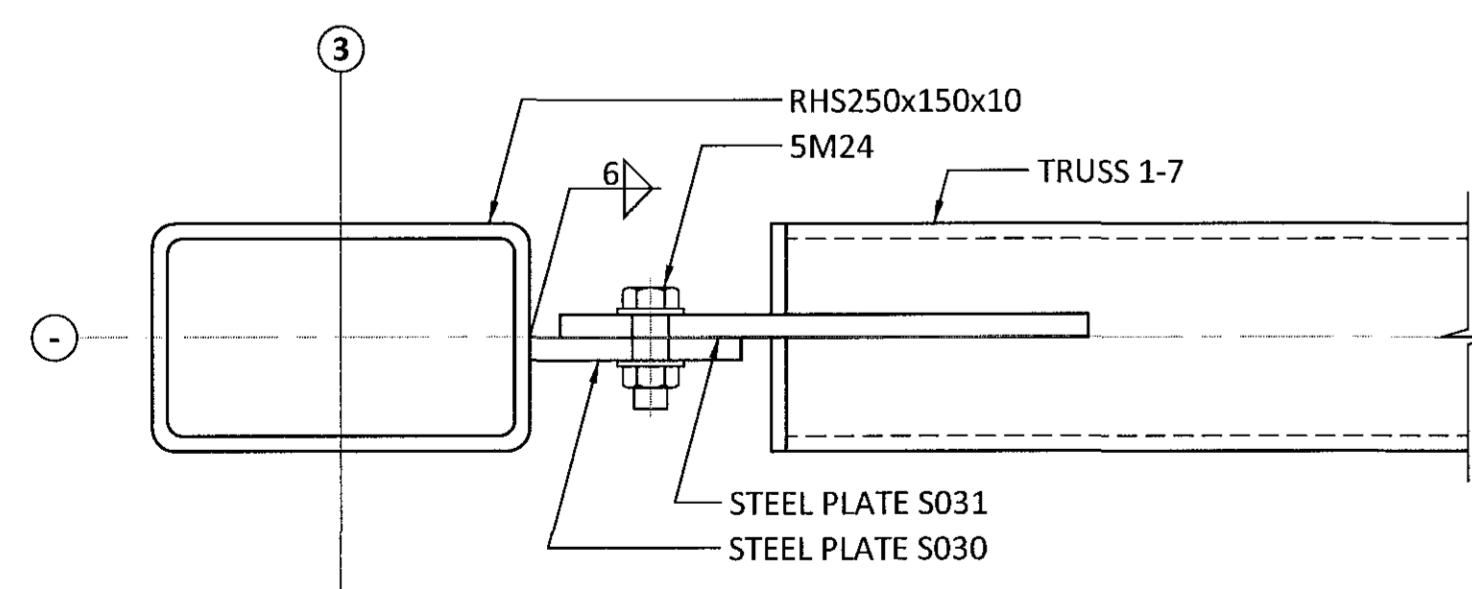
SECTION X1-X1 - SCALE 1:5



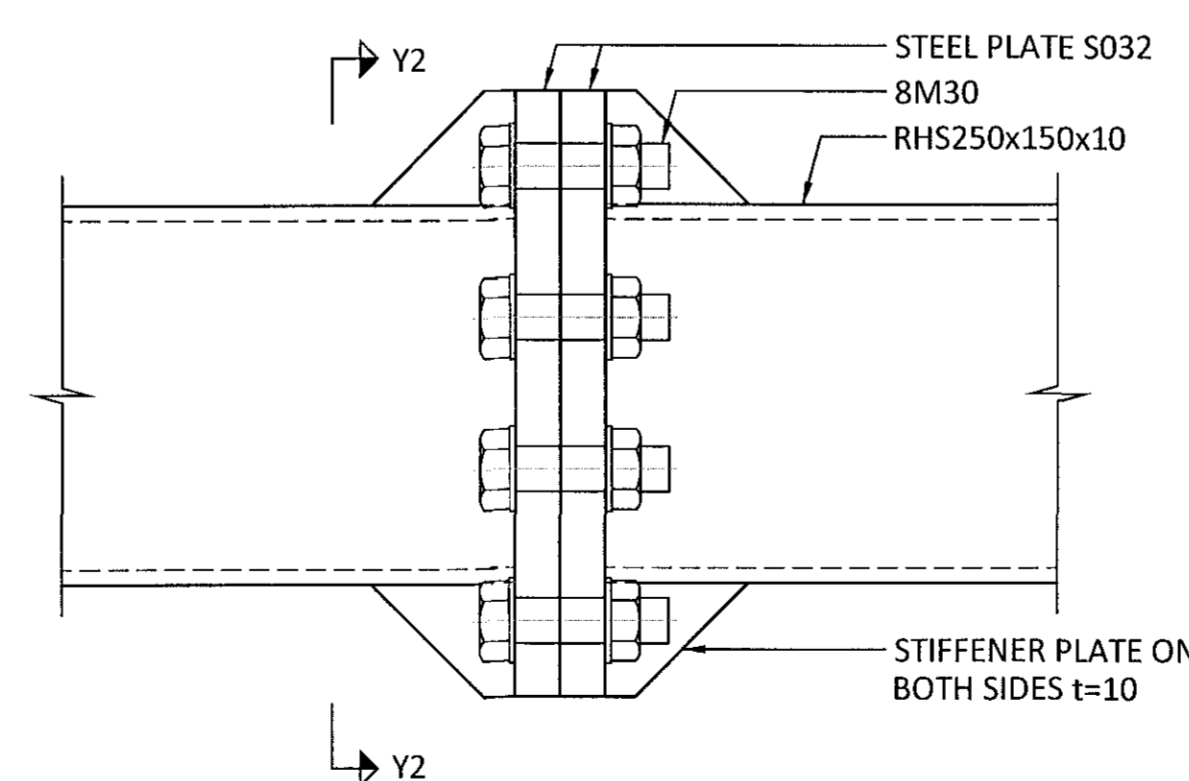
031 SCALE 1:5



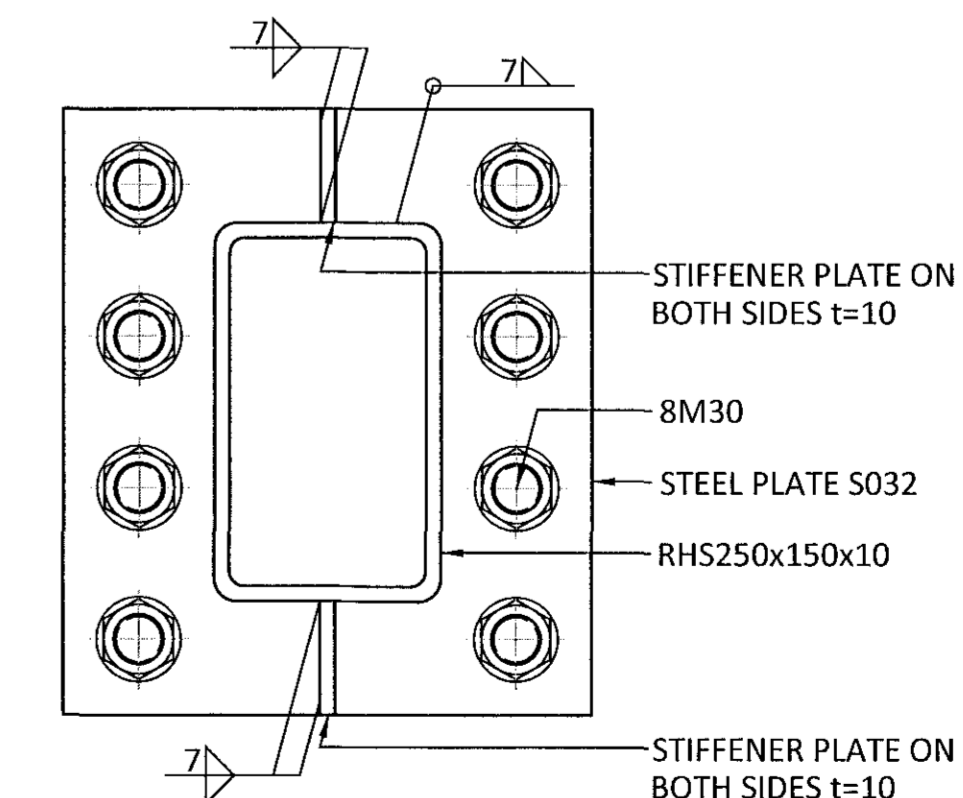
SECTION X2-X2 - SCALE 1:5



030 SCALE 1:5



SECTION Y2-Y2 - SCALE 1:5



ARITUN BYGGINGARFULLTRÚA  
KT. 22058423 BS

BR.	DAGS.	BREYTING
-----	-------	----------



FLATAHRAUN 13 HAFNARFJÖRÐUR  
NÝBYGGING KRÓNUVERSLUN  
STEEL STRUCTURE CONNECTIONS

HÖNNUÐUR	YFRFARID	DAGS. ÚTG.	DAGS. BREYT.
AK arngrimur@ferill.is	HE	09.09.15	
MKV.	VEIKNR.	TEIKN. NR.	BREYT.
1:5	14048	1 - 3304	