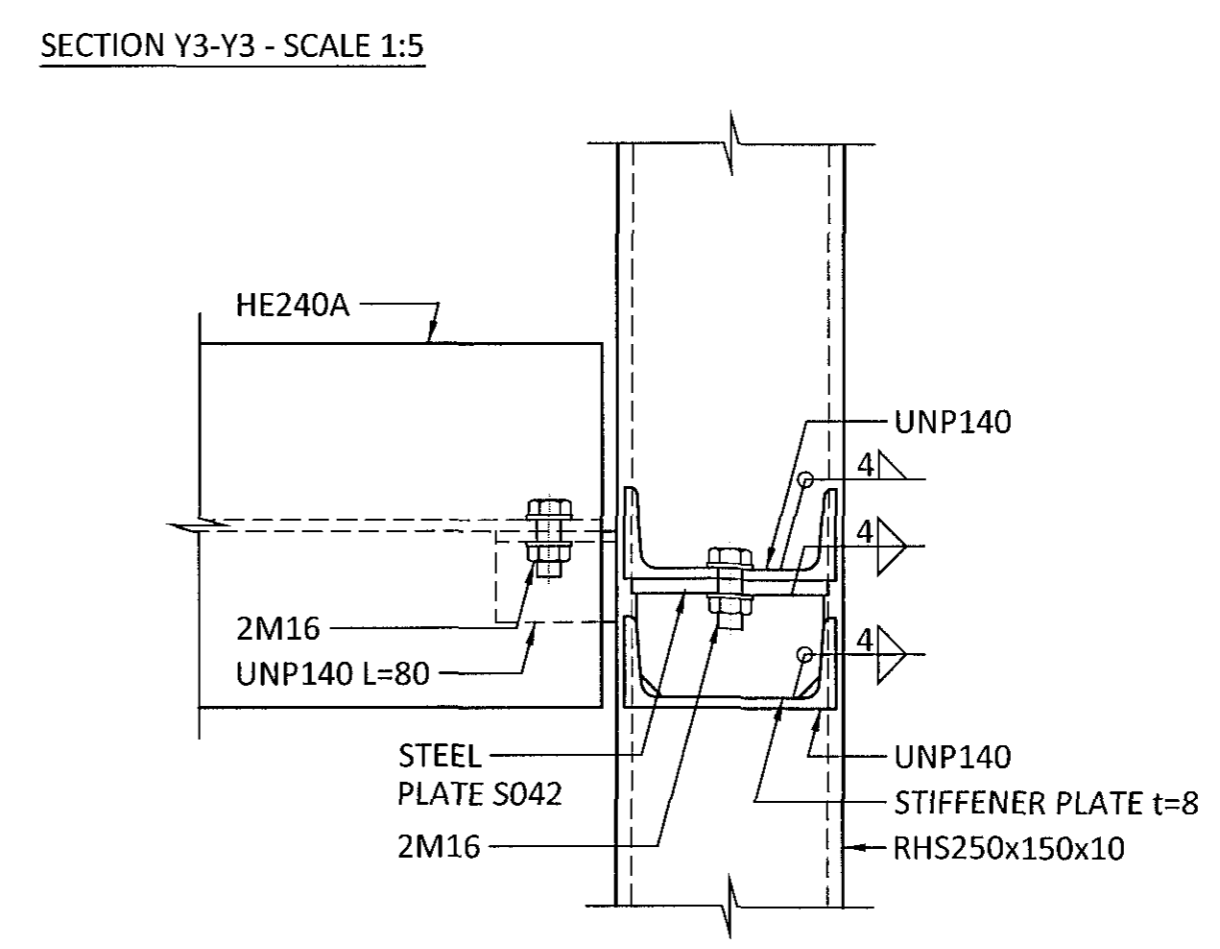
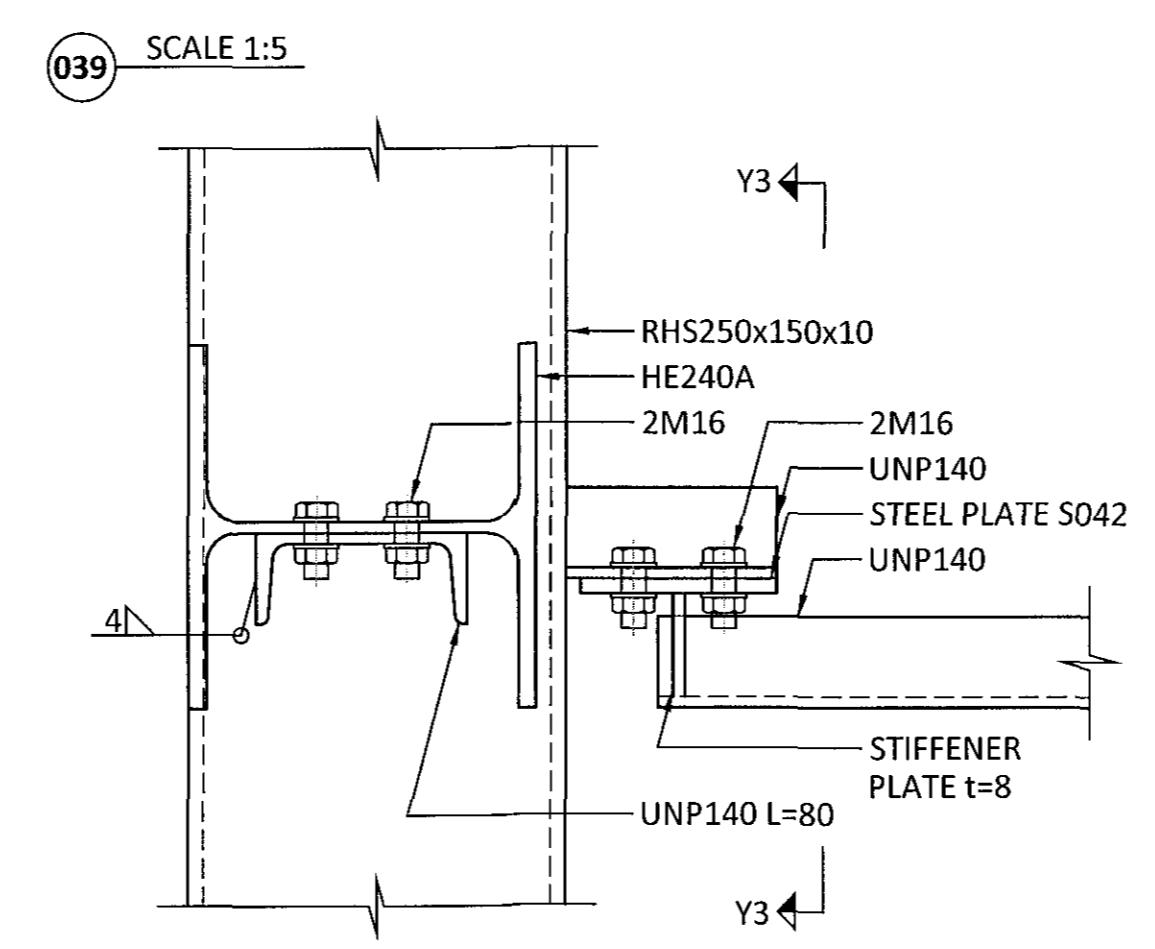
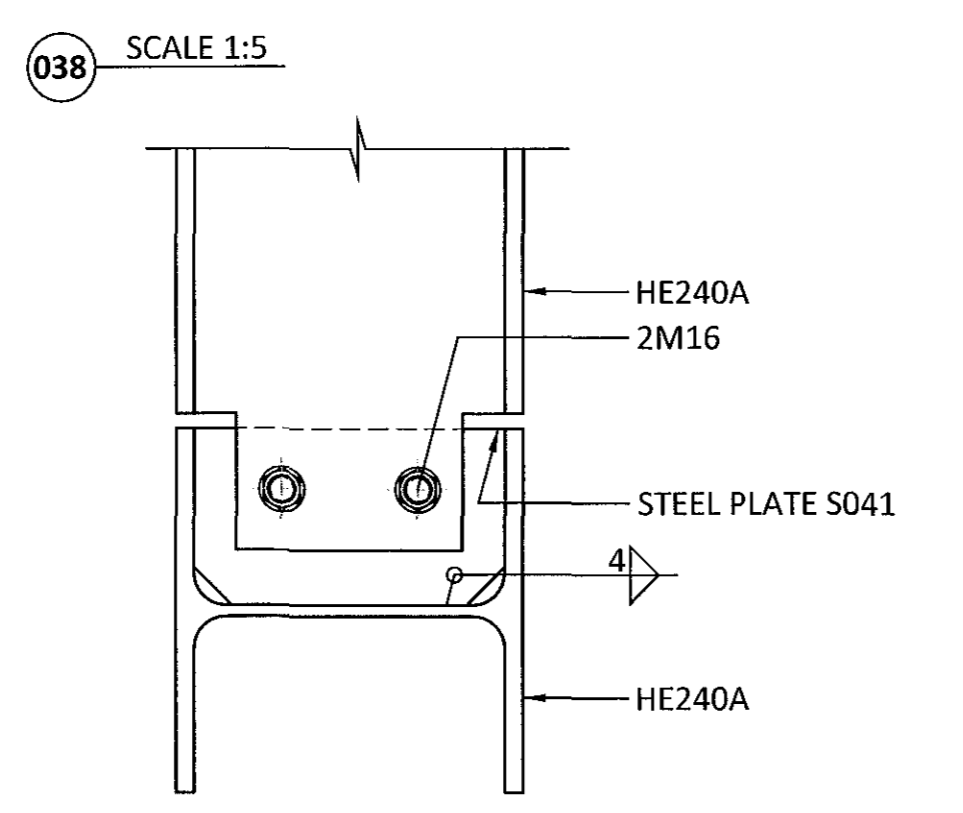
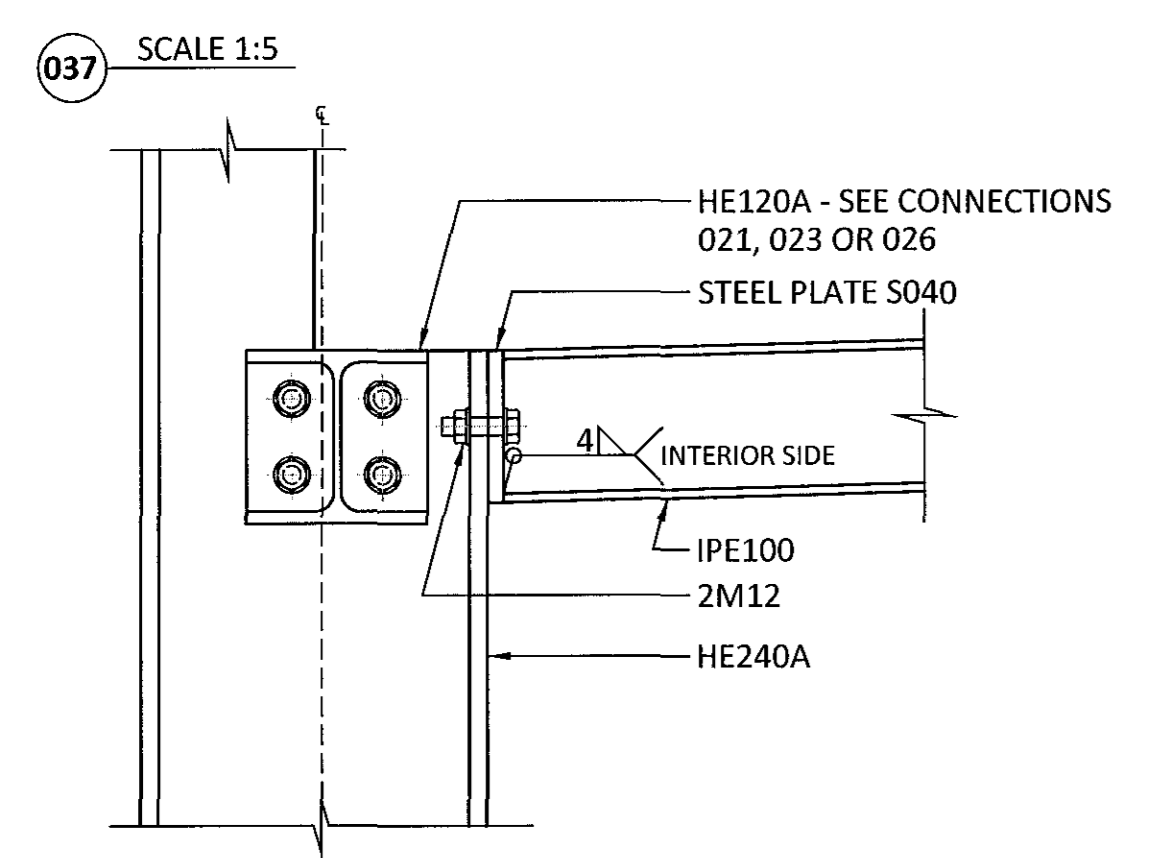
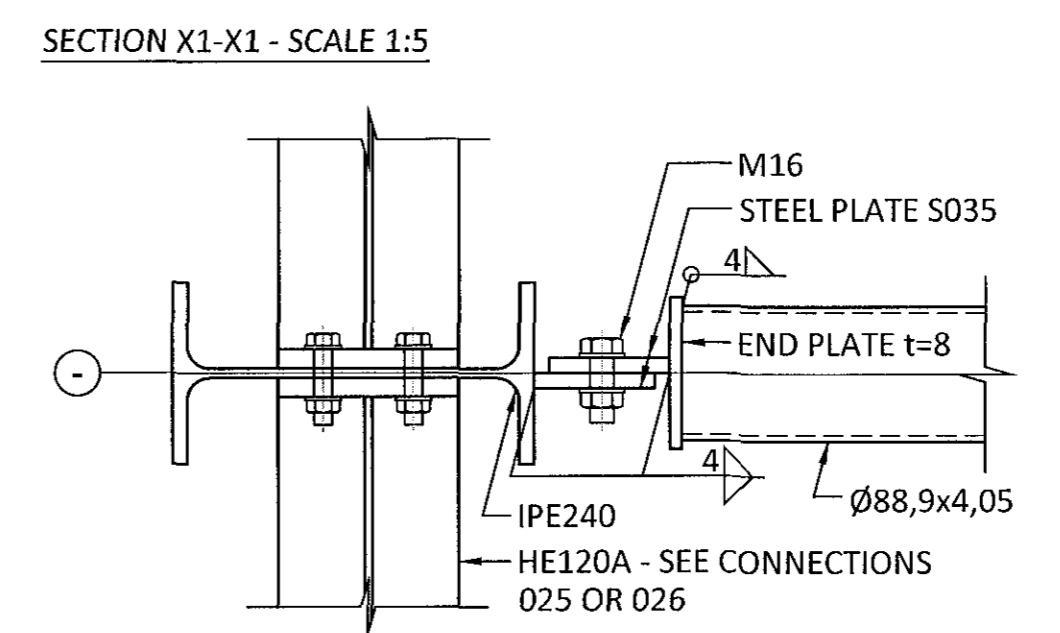
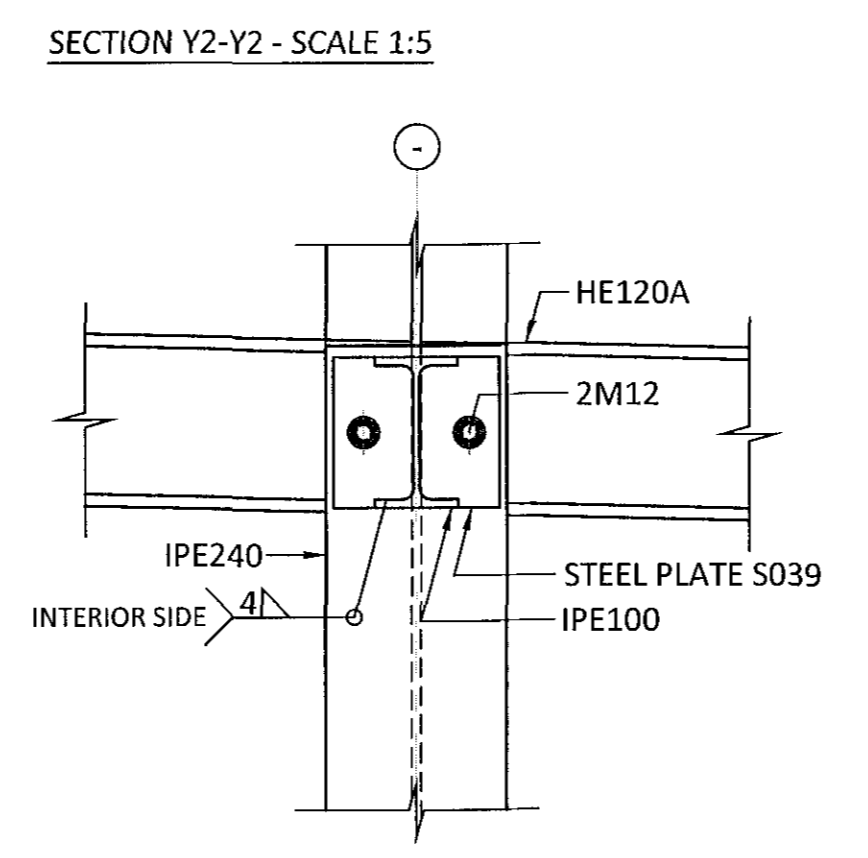
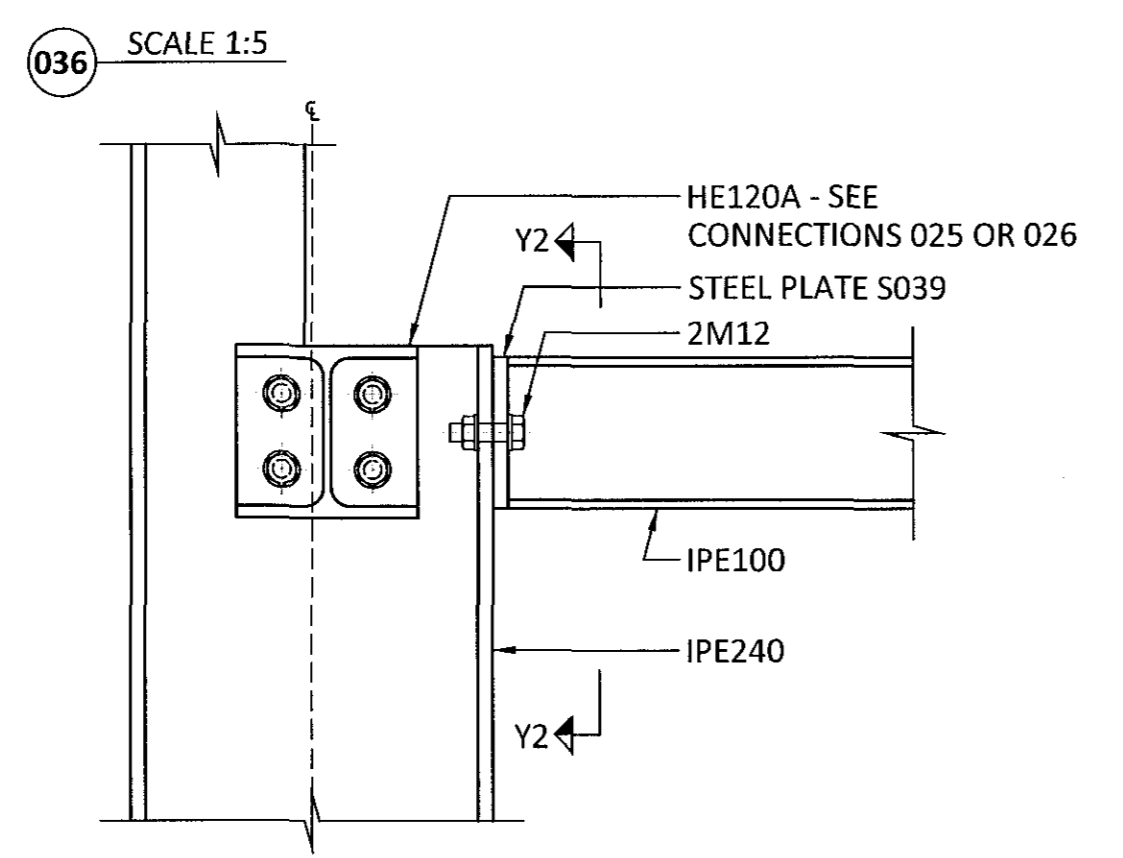
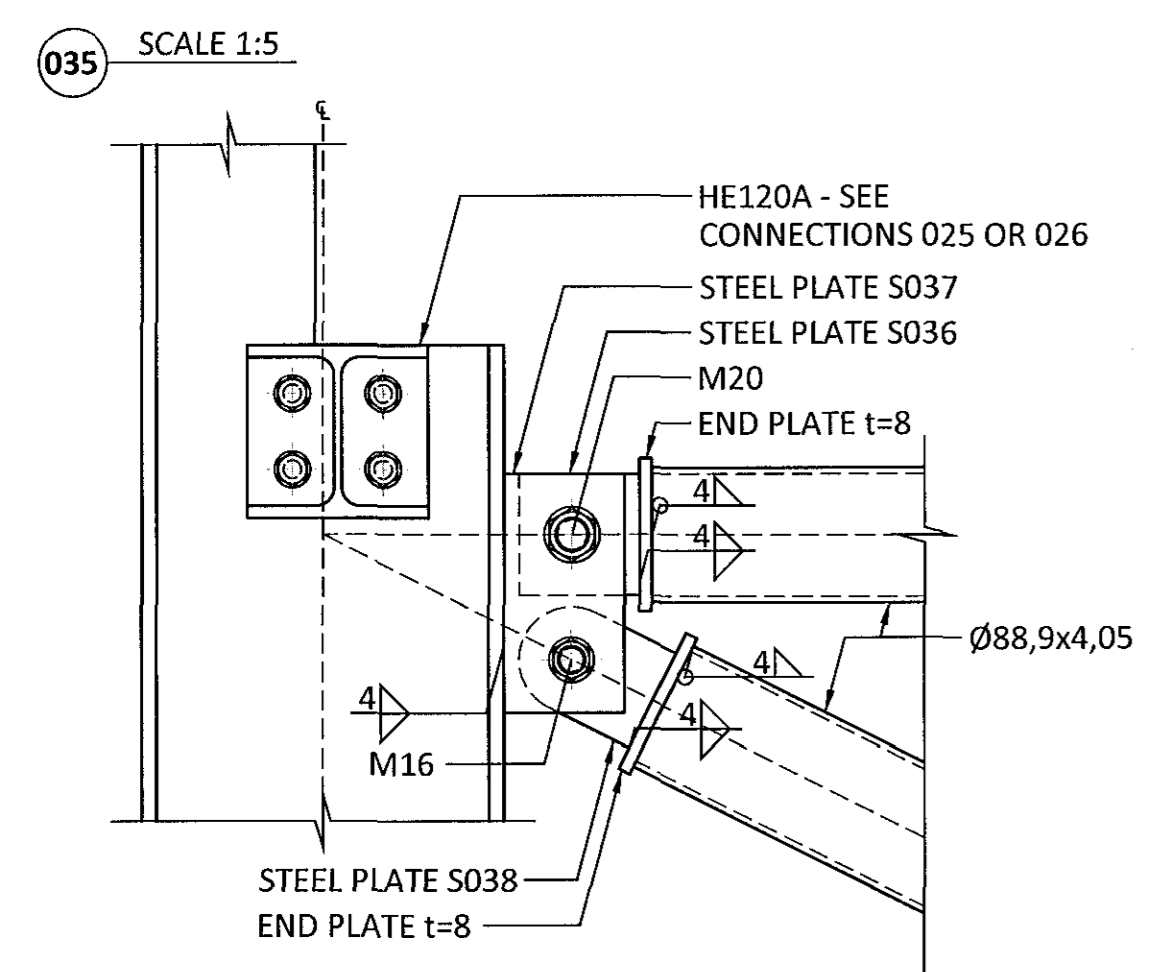
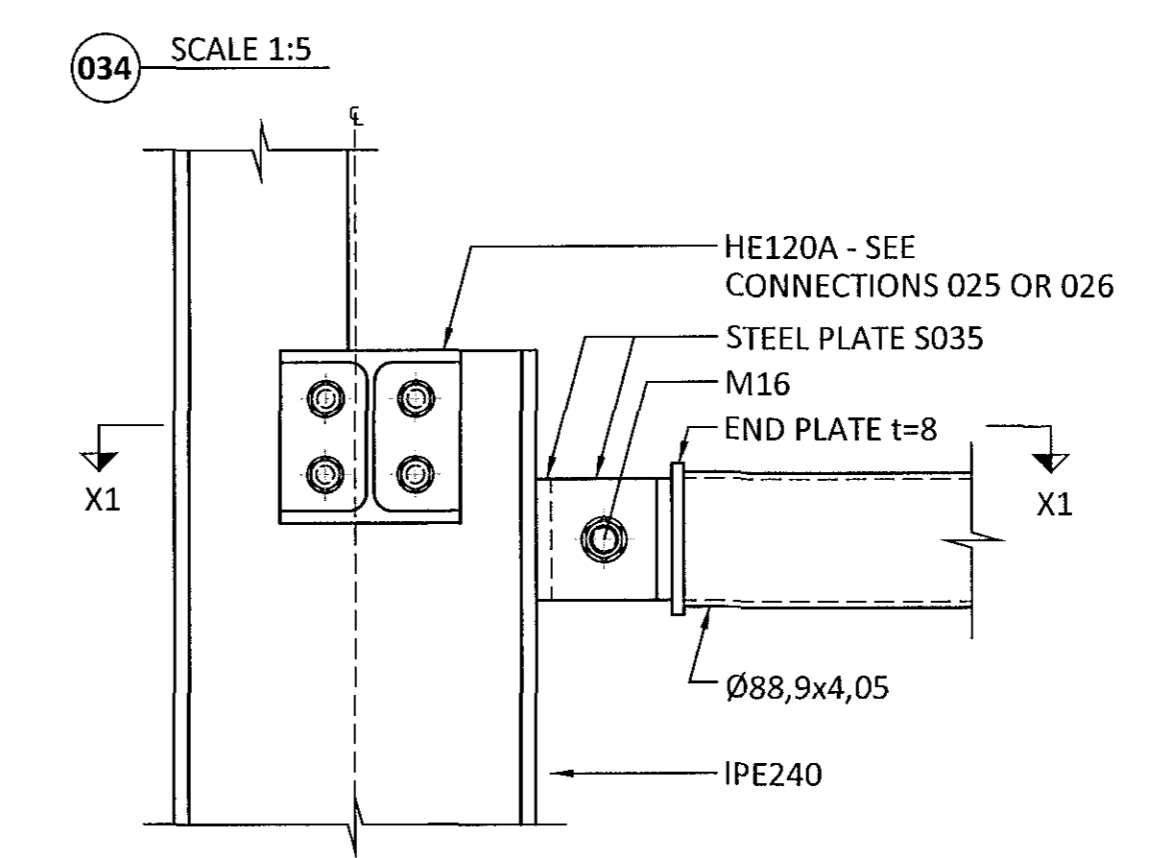
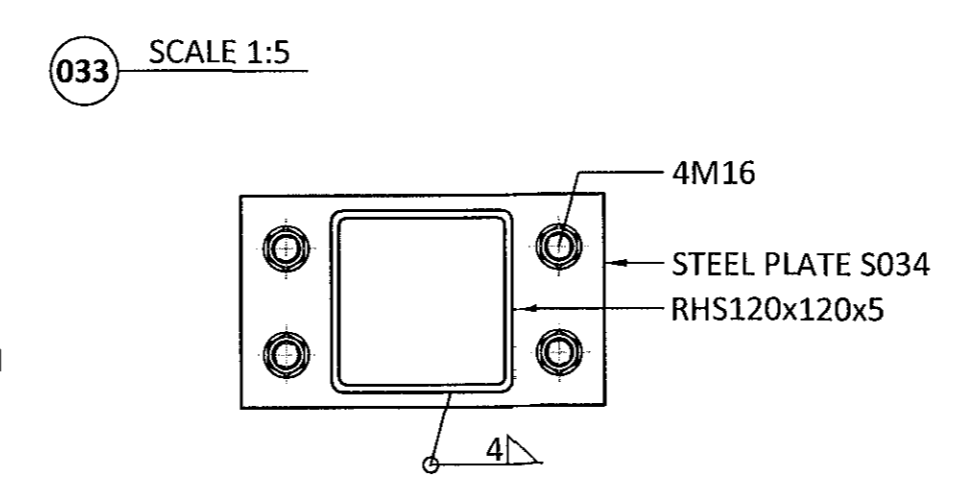
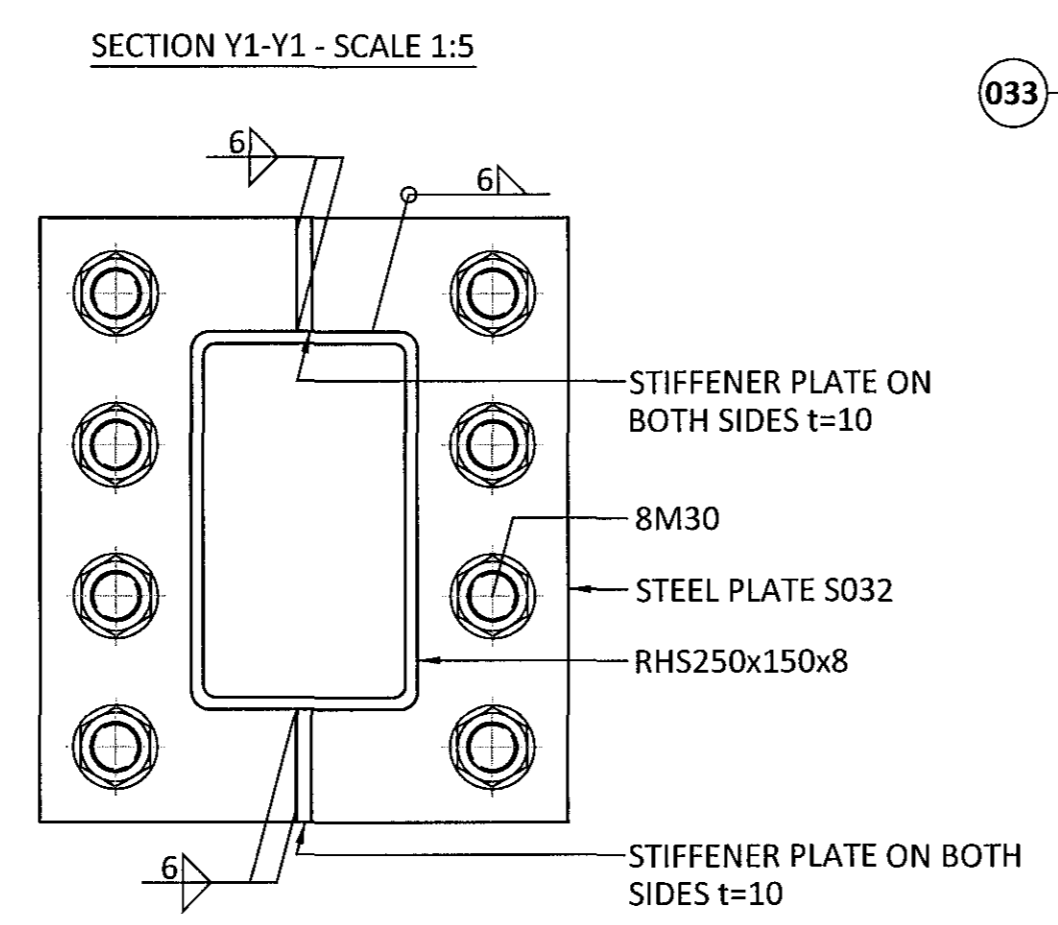
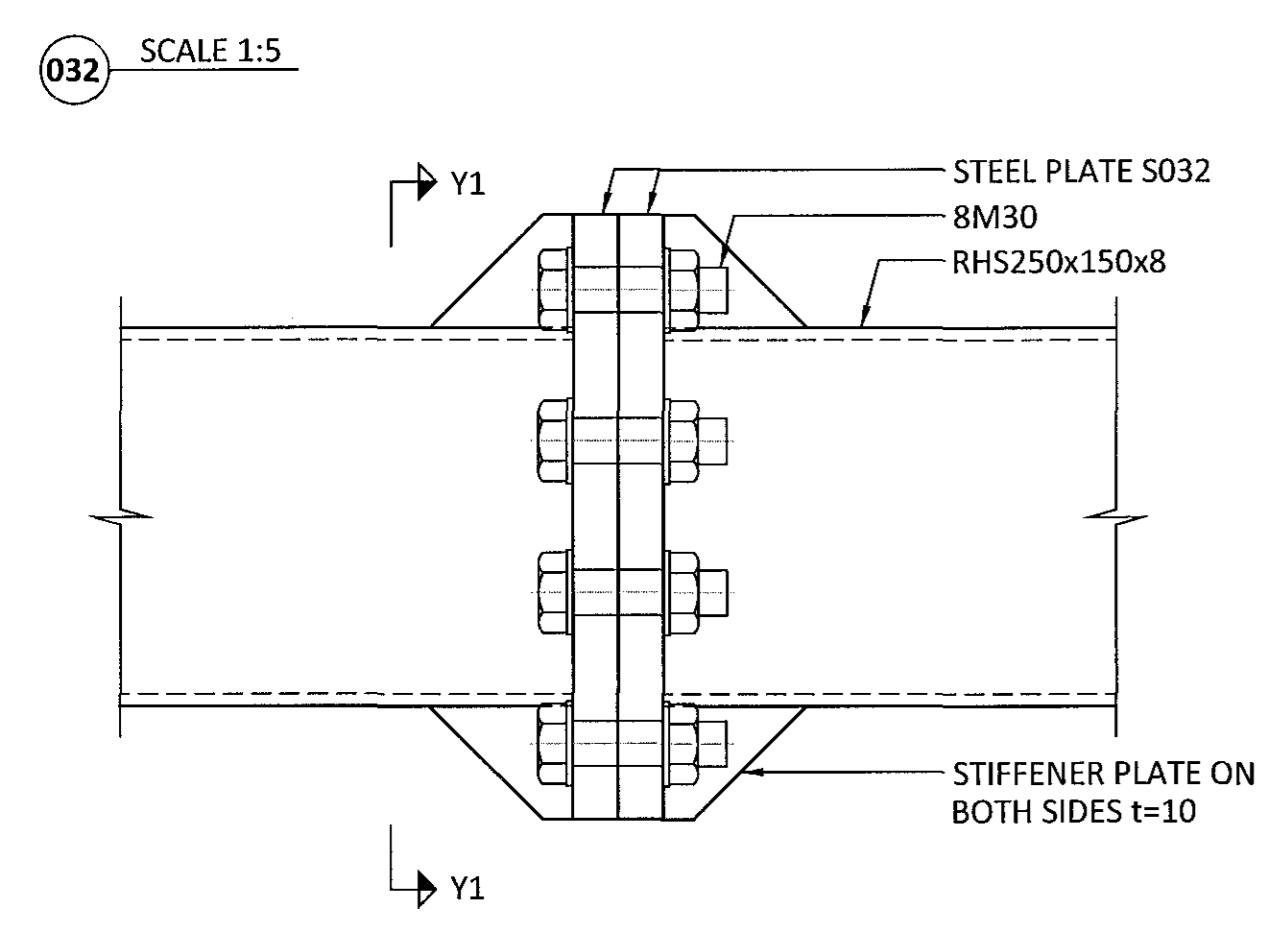


- GENERAL NOTES FOR STEEL STRUCTURE:
- SEE DRAWING 1-1100 FOR GENERAL NOTES
  - SEE DRAWING 1-3350+ FOR STEEL PLATES



ARITUN AÐALHÖNNUNAR: *[Signature]* 2207844365

BR.	DAGS.	BREYTING

**ferill**  
VERKFRÆBISTOFA

FLATAHRAUN 13 HAFNARFJÖRDUR  
NÝBYGGING KRÖNUVERSLUN  
STEEL STRUCTURE CONNECTIONS

SAMPYKKT: *[Signature]* KT. *[Signature]*  
HÖNNUNAR: *[Signature]* 070970-4149

HÖNNUNAR	YFRABYGGING	DAGS. ÚTGF.	DAGS. BREYTT.
AK	HE	09.09.15	
MKV.	VERKN.	TEIKN. NR.	BREYTT.
1:5	14048	1 - 3305	

Ferill ehf. Mörkin 1 108 Reykjavík Sími: 575 1600 Fax: 575 1601 www.ferill.is