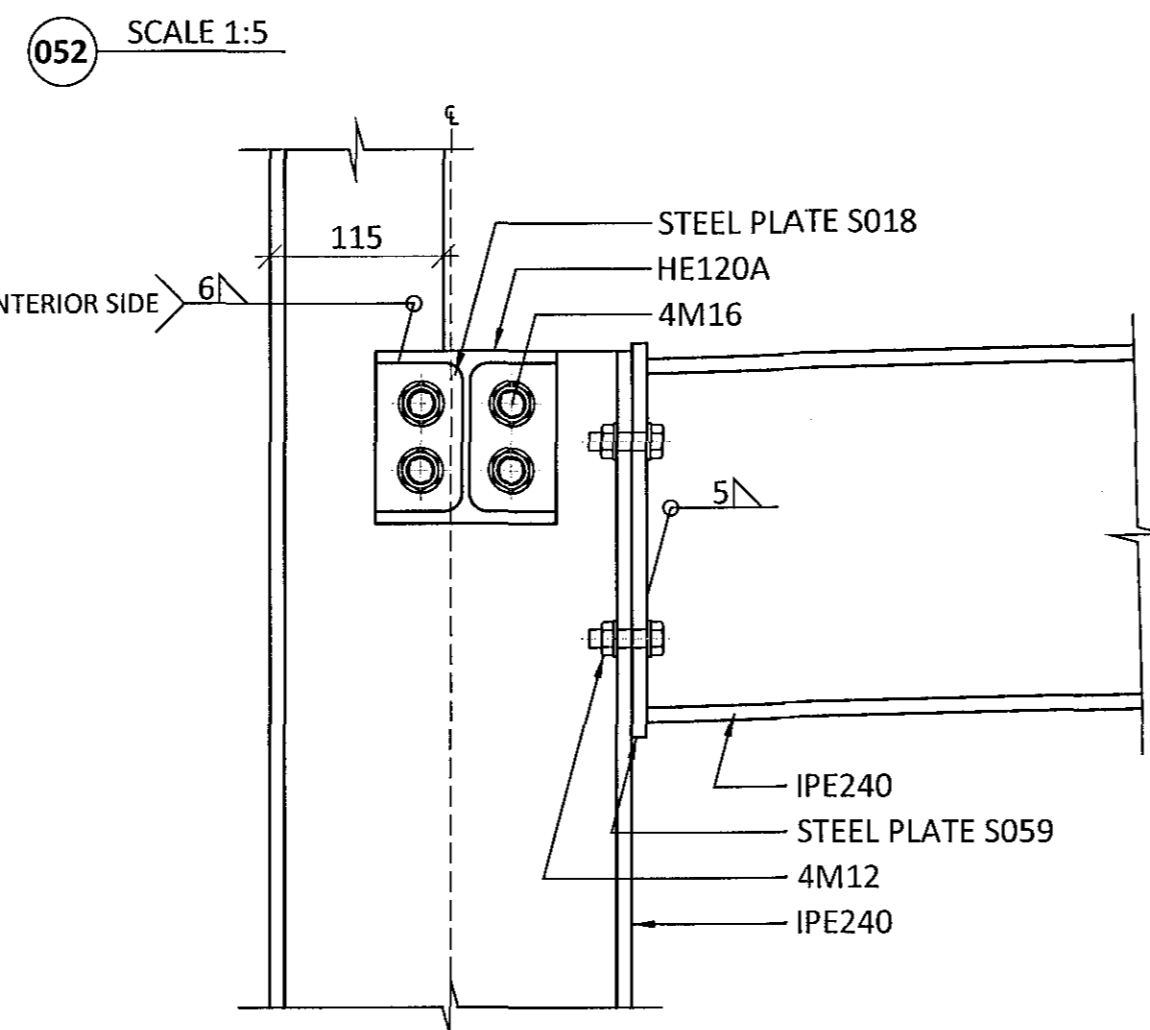
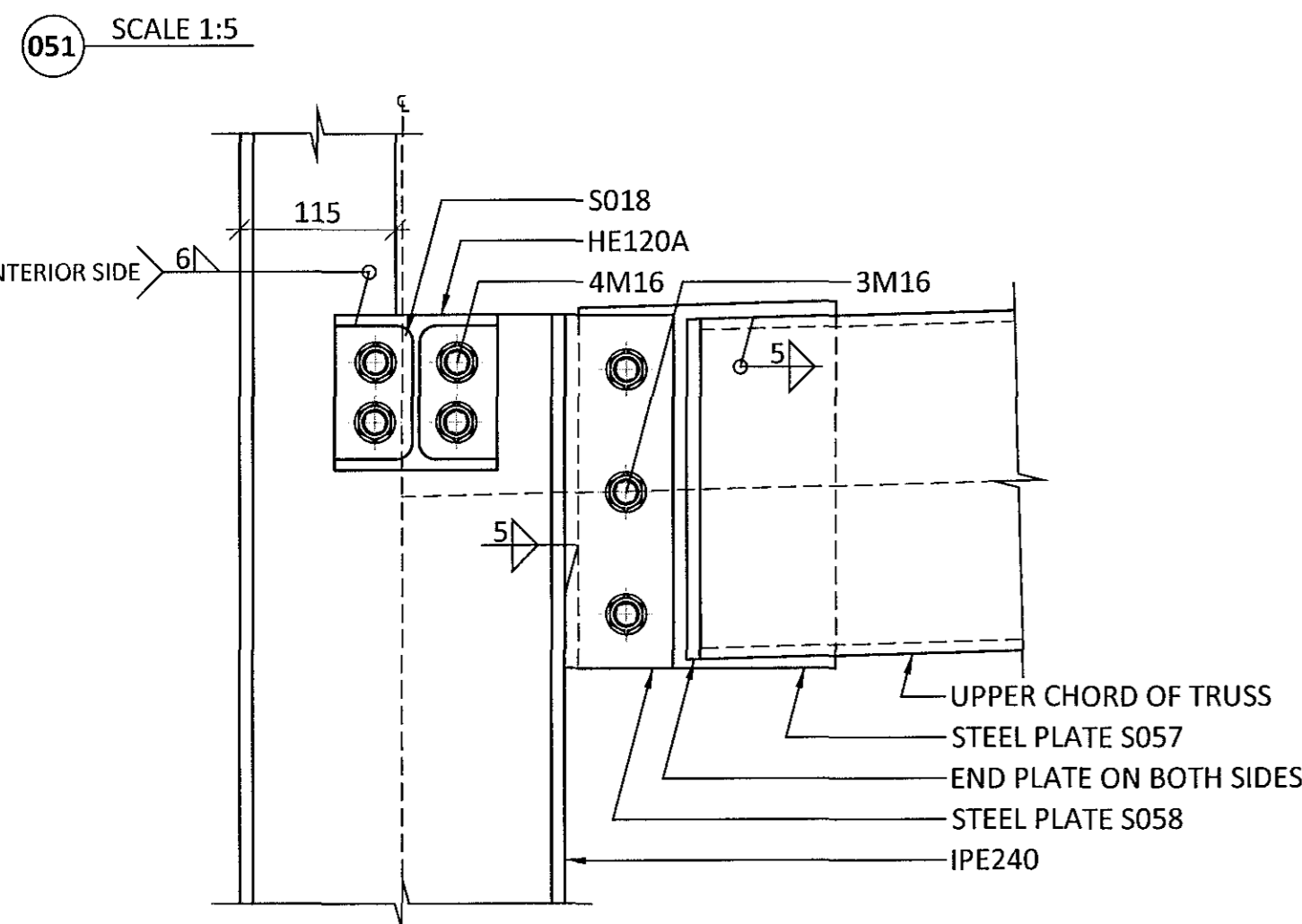
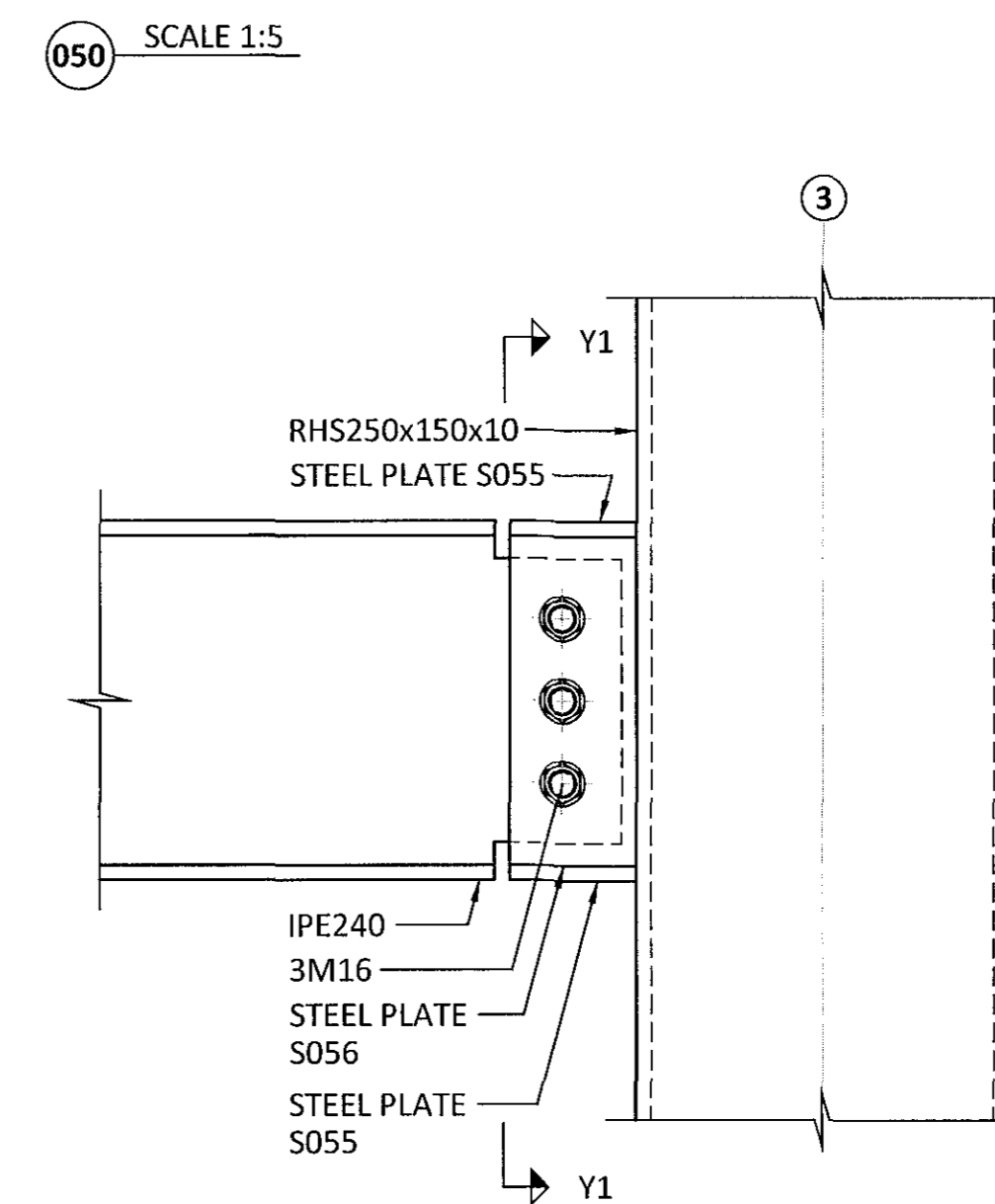
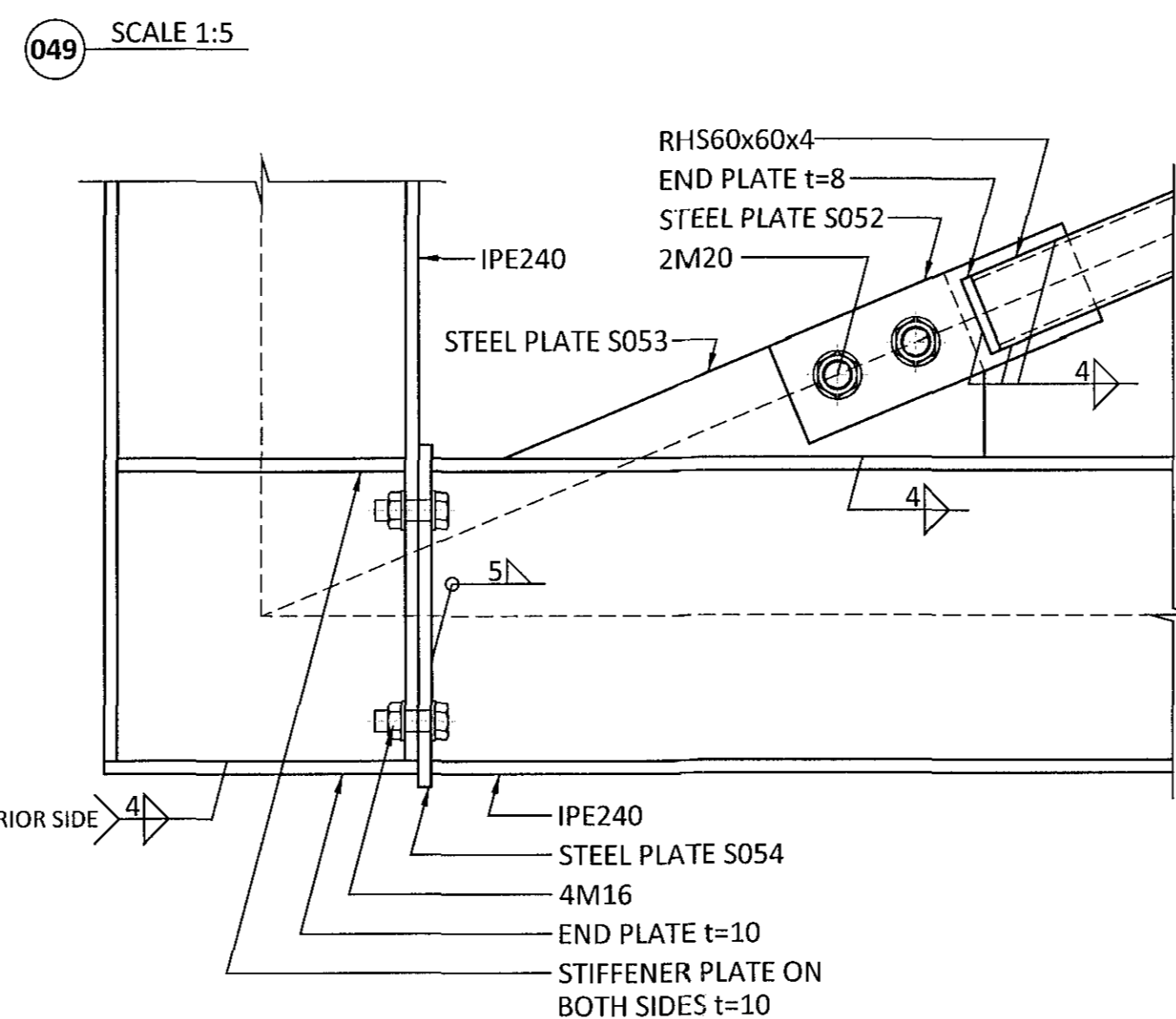
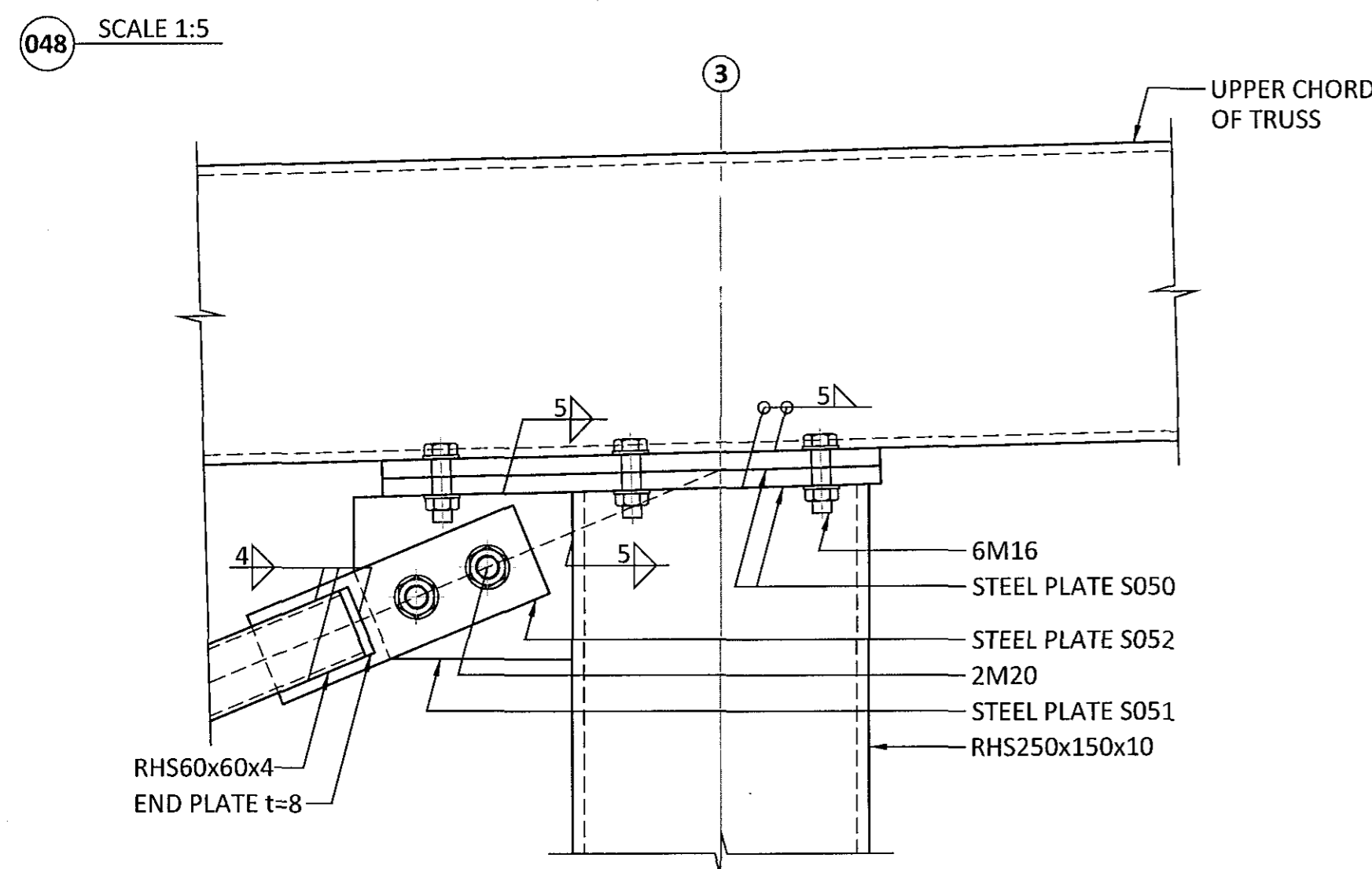
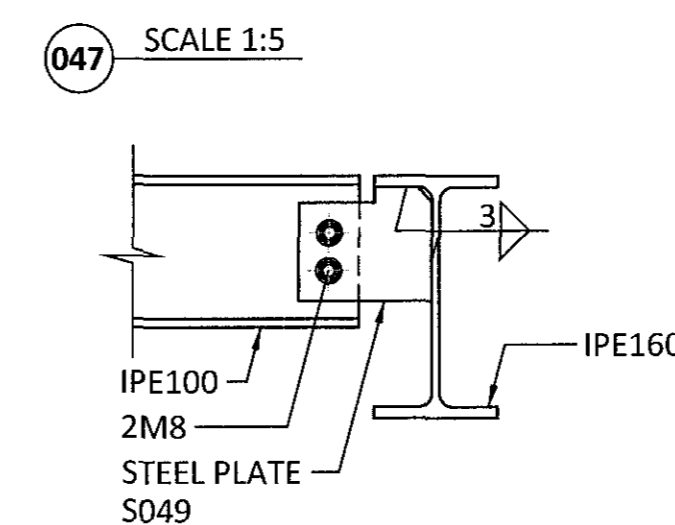
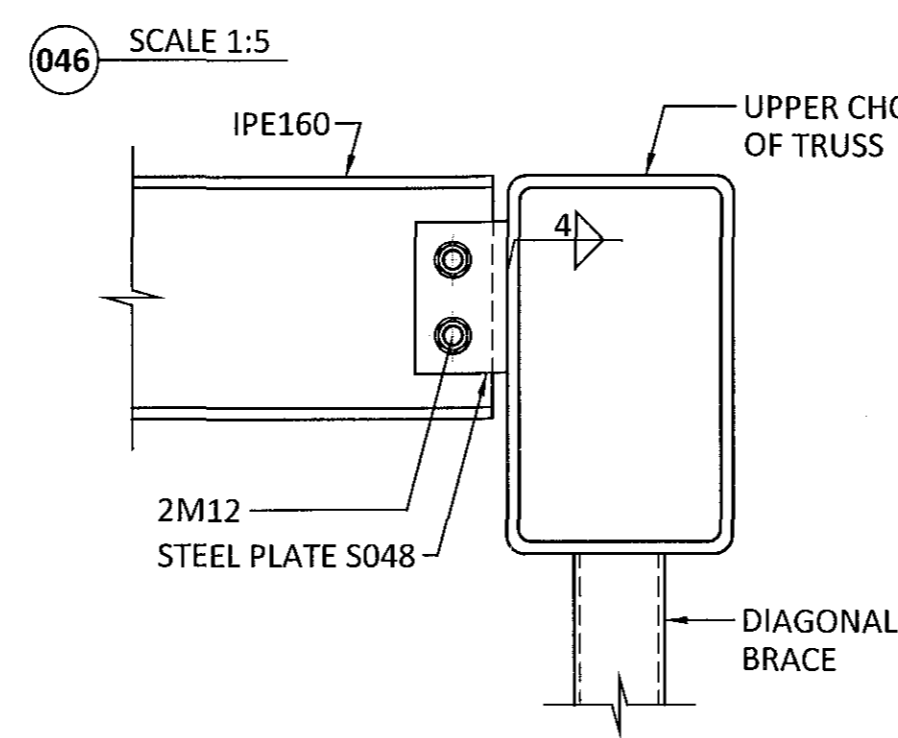
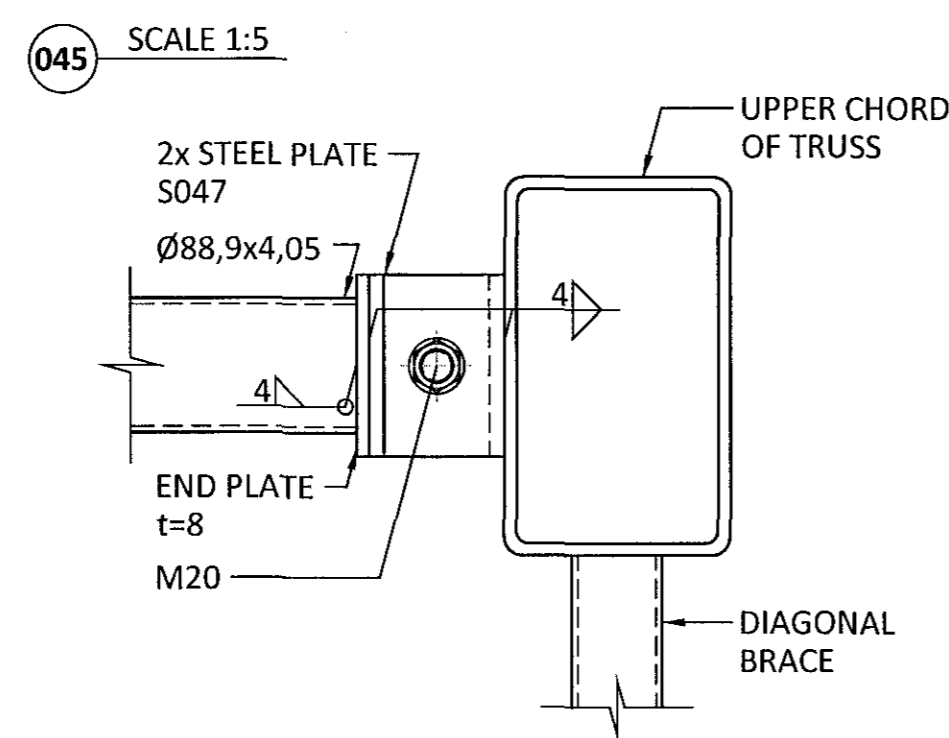
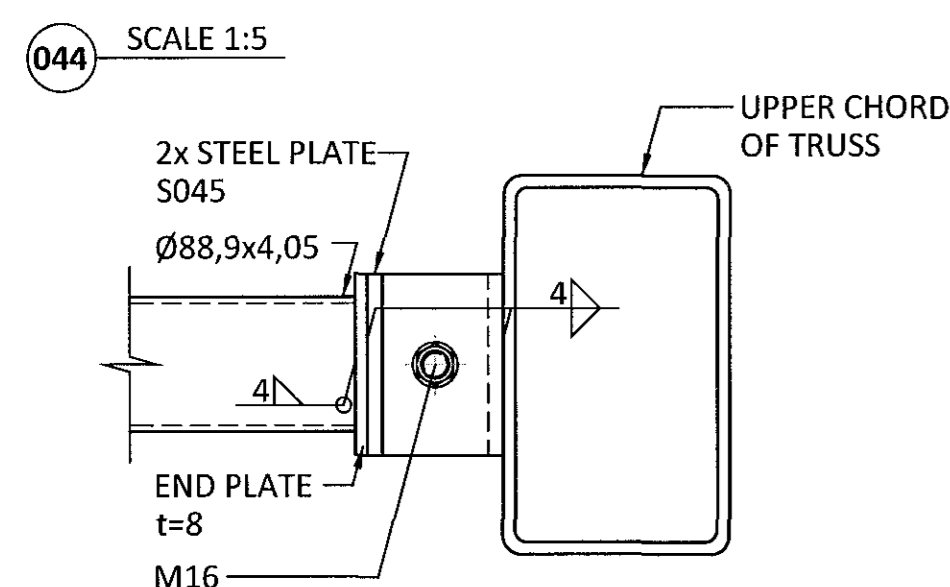
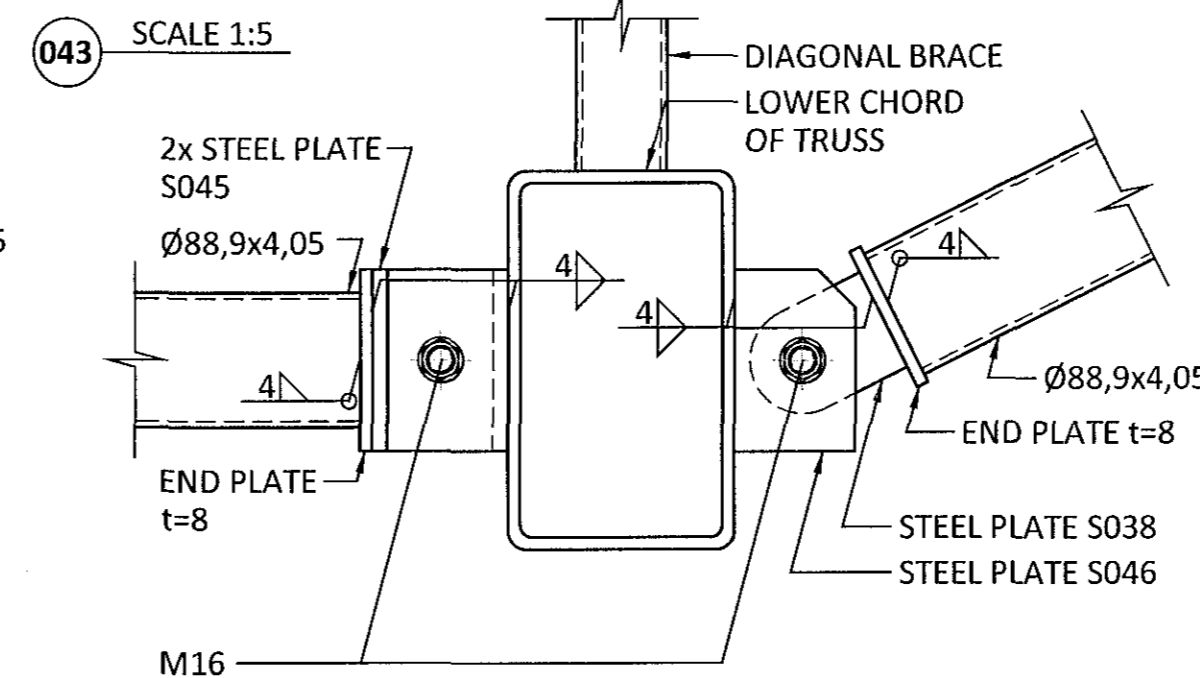
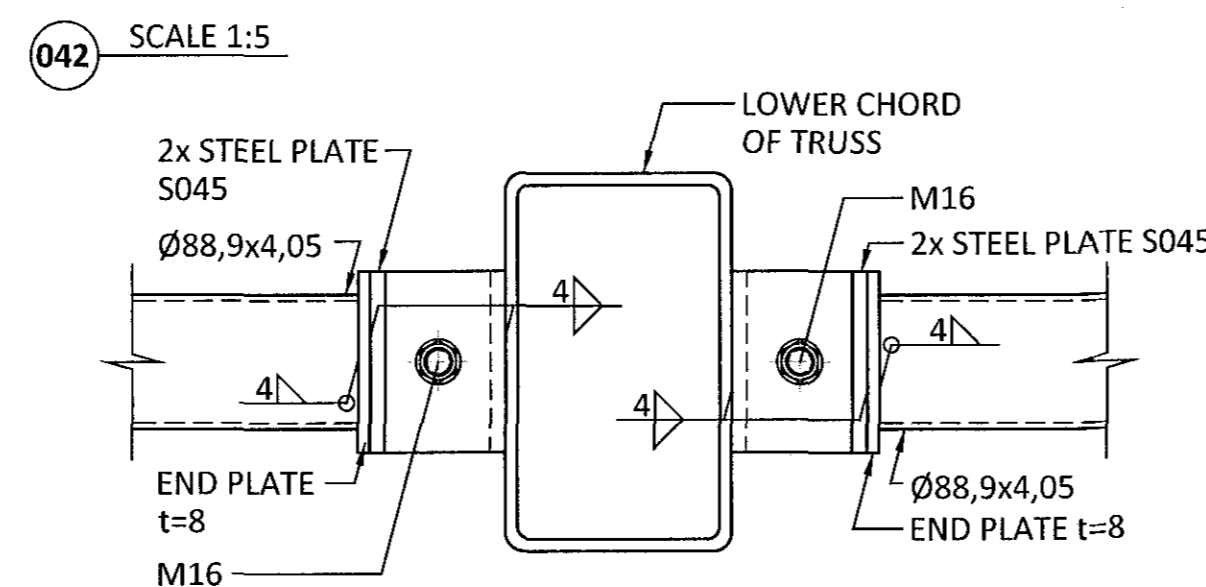
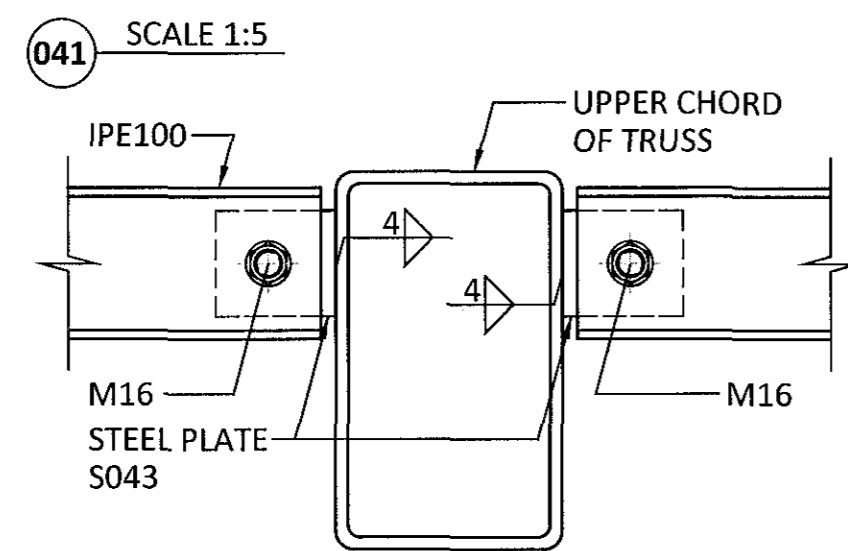
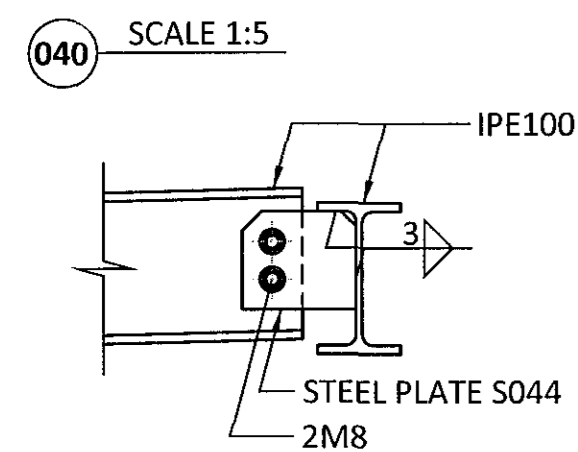
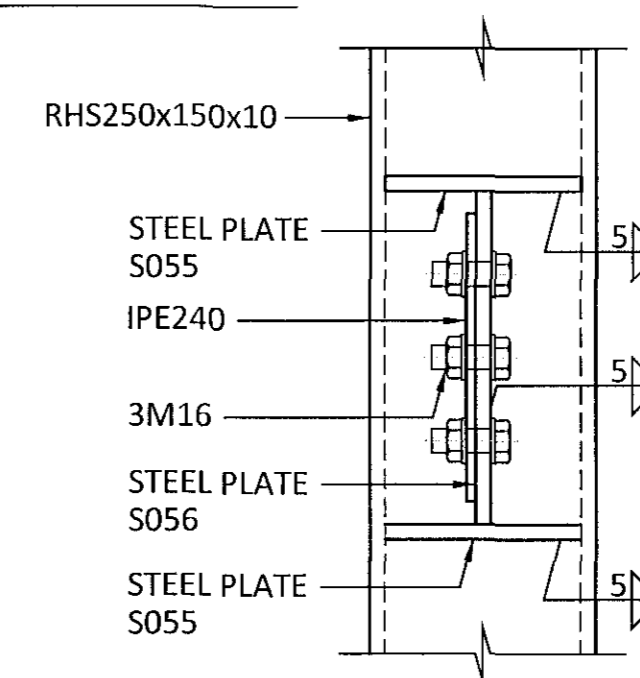


GENERAL NOTES FOR STEEL STRUCTURE:

- SEE DRAWING 1-1100 FOR GENERAL NOTES
- SEE DRAWING 1-3350+ FOR STEEL PLATES



SECTION Y1-Y1 - SCALE 1:5



BRUNNADALUR
2256 443 65

BR. DAGS. BREYTING			
ferill VERKFRÆÐISTOFA			
FLATAHRAUN 13		HAFNARFJÖRÐUR	
NÝBYGGING KRÖNUVERSLUN			
STEEL STRUCTURE CONNECTIONS			
SAMPYKKT Sund Davíðsson KT. 070970-4149			
HÖNNUÐUR	YERFARID	DAGS. UTG.	DAGS. BREYT.
AK arngrimur@ferill.is	HE	09.09.15	
MKV.	VERKNR.	TEKNI. NR.	BREYT.
1:5	14048	1 - 3306	
Ferill ehf. Mörkin 1 108 Reykjavík Sími: 575 1600 Fax: 575 1601 www.ferill.is			