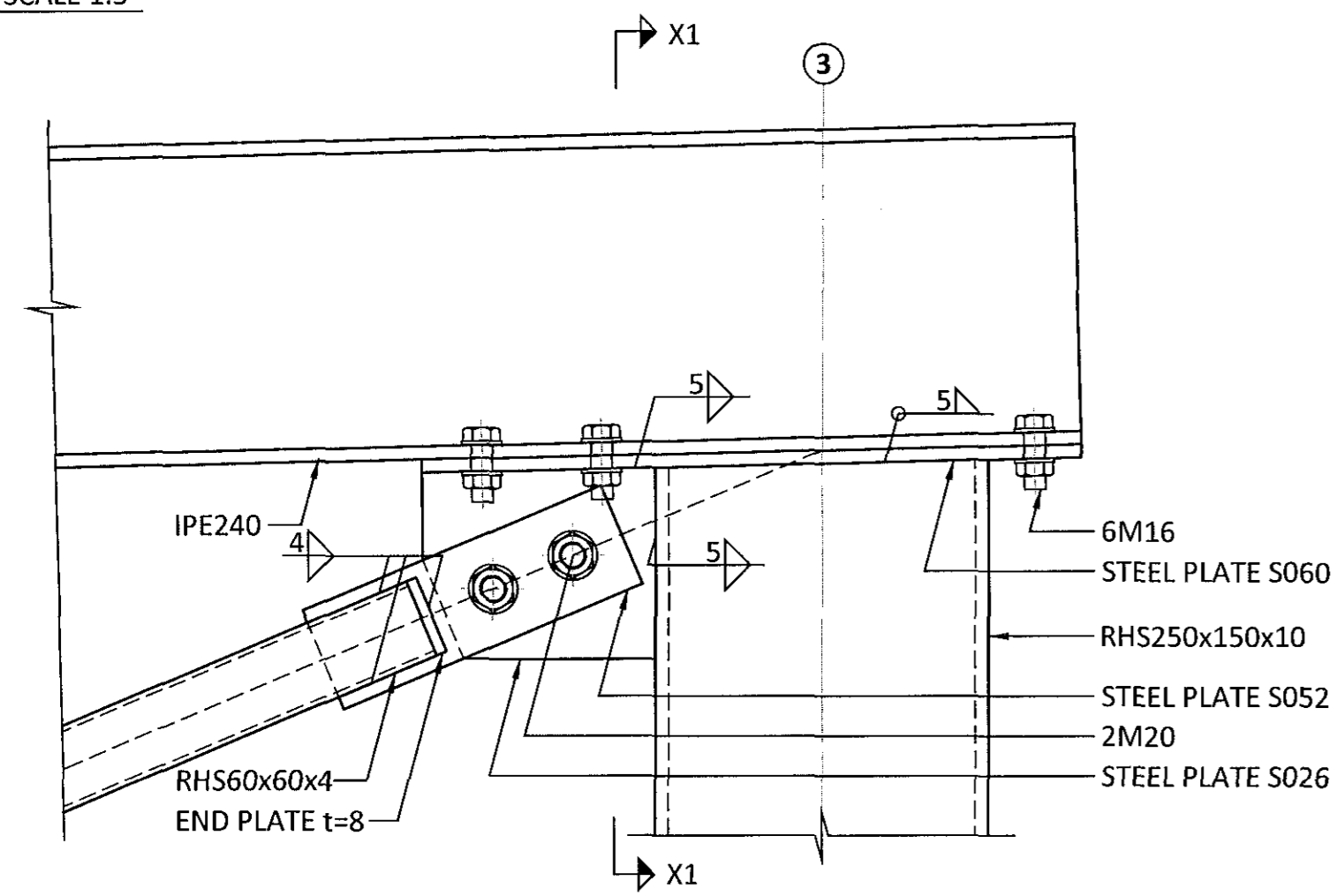


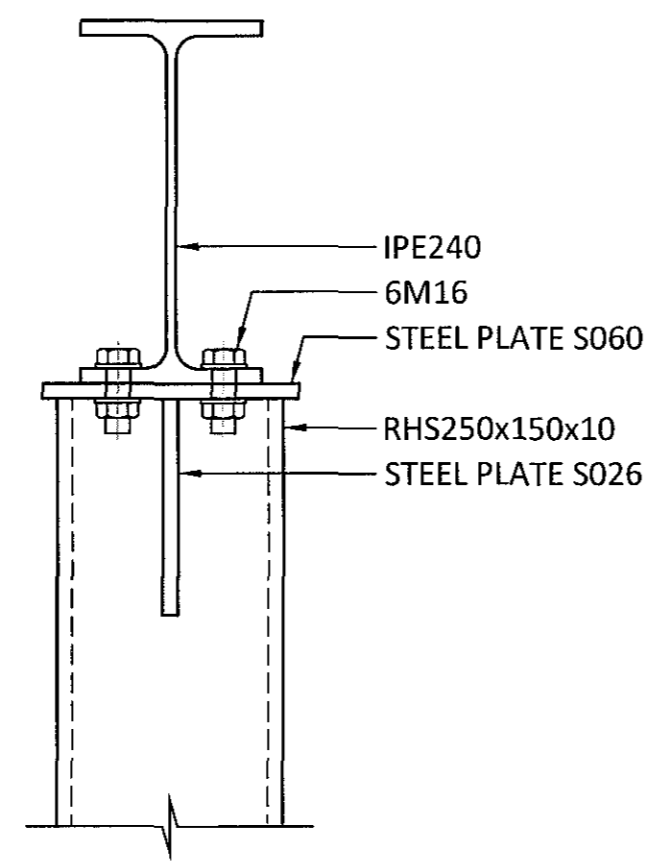
GENERAL NOTES FOR STEEL STRUCTURE:

- SEE DRAWING 1-1100 FOR GENERAL NOTES
- SEE DRAWING 1-3350+ FOR STEEL PLATES

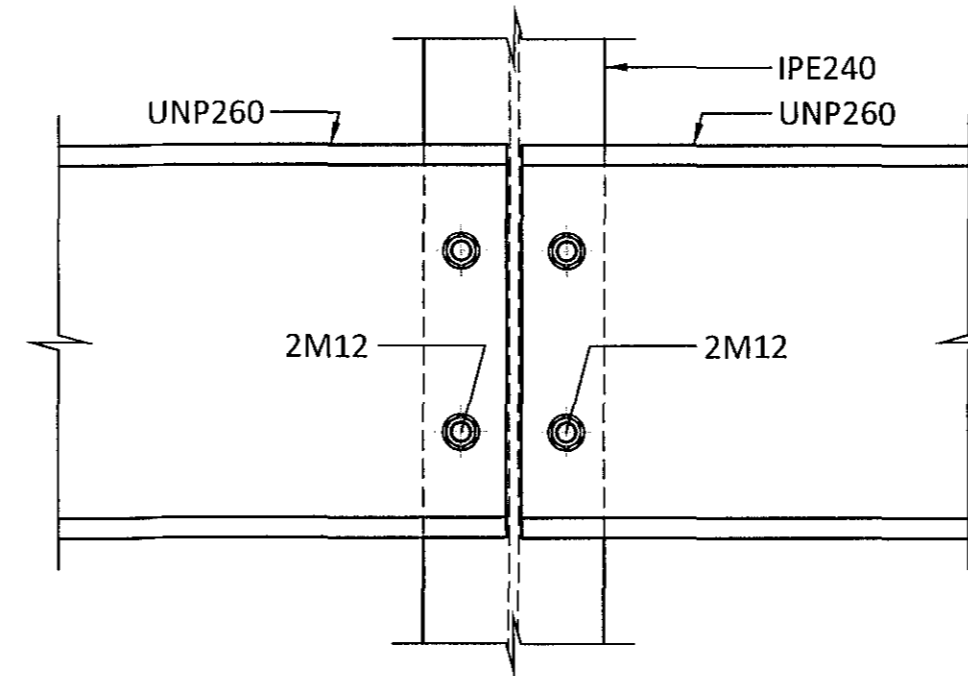
053 SCALE 1:5



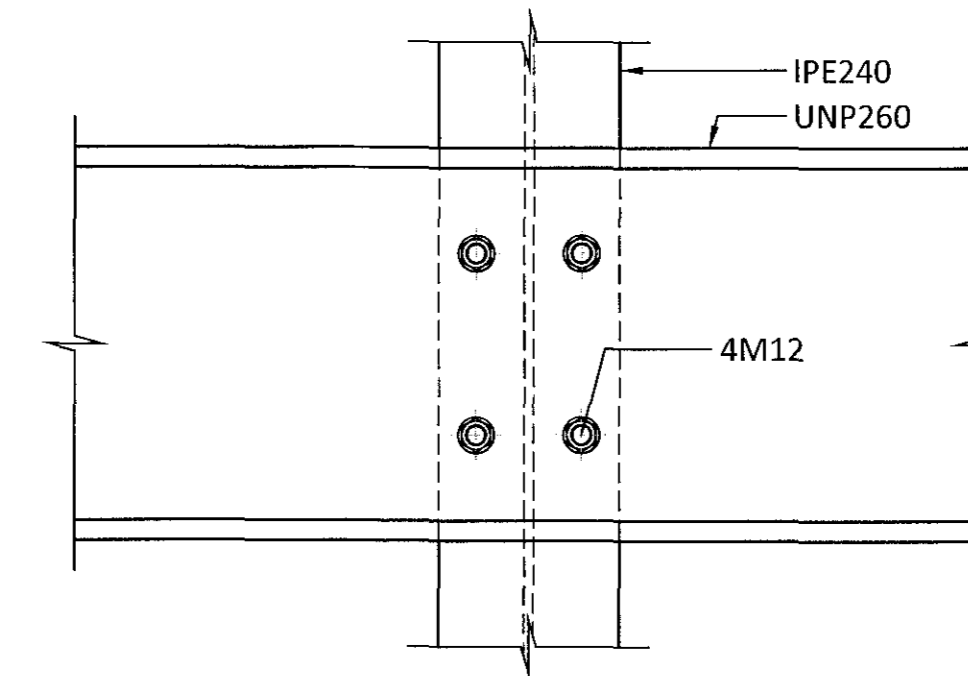
SECTION X1-X1 - SCALE 1:5



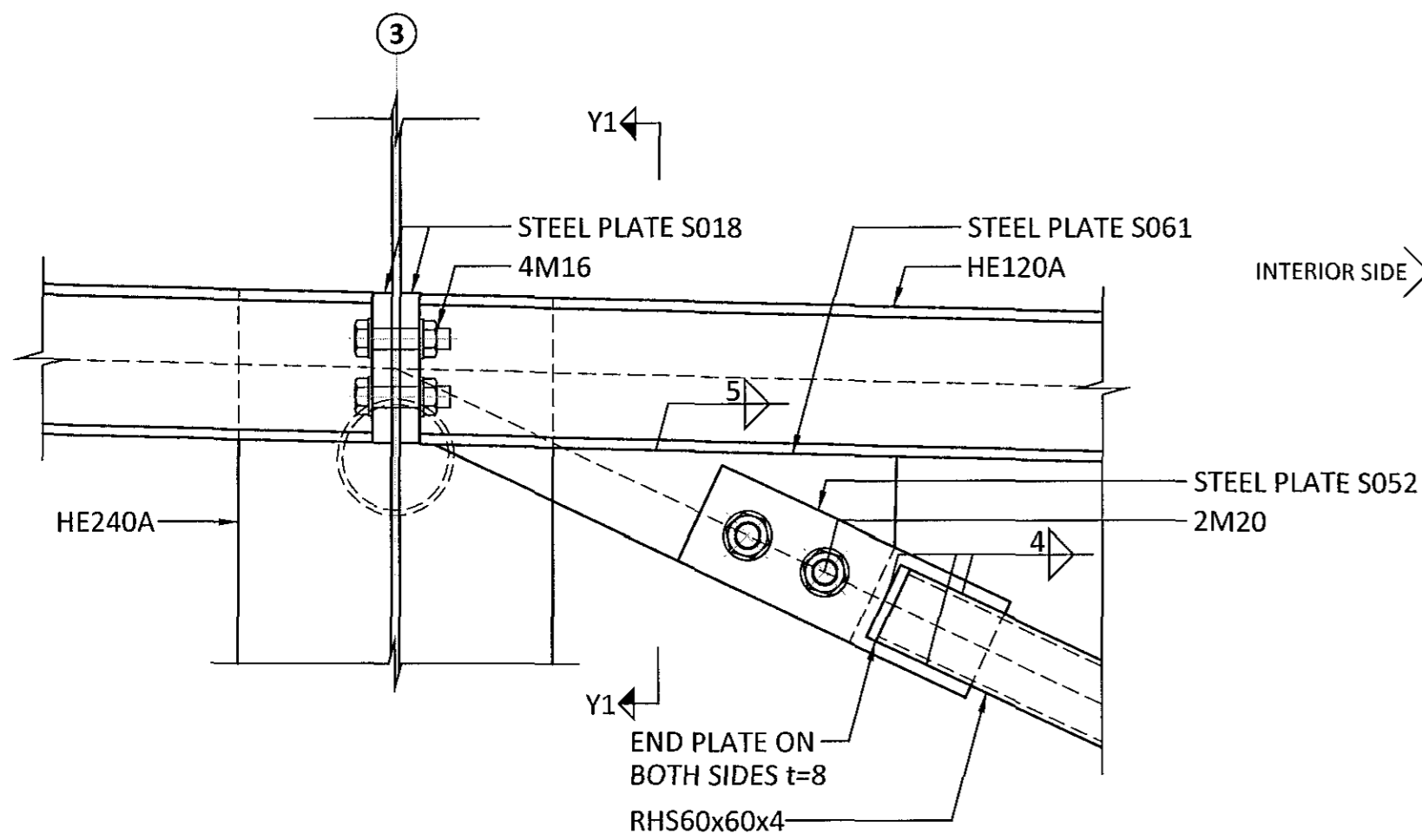
054 SCALE 1:5



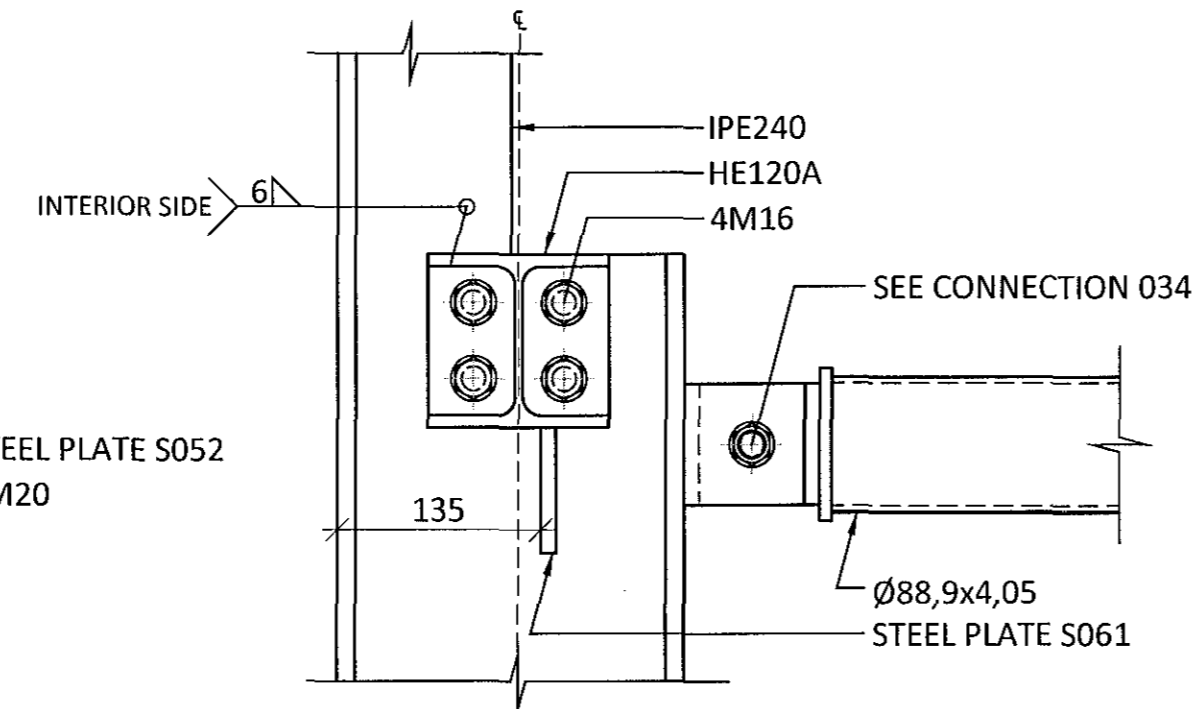
055 SCALE 1:5



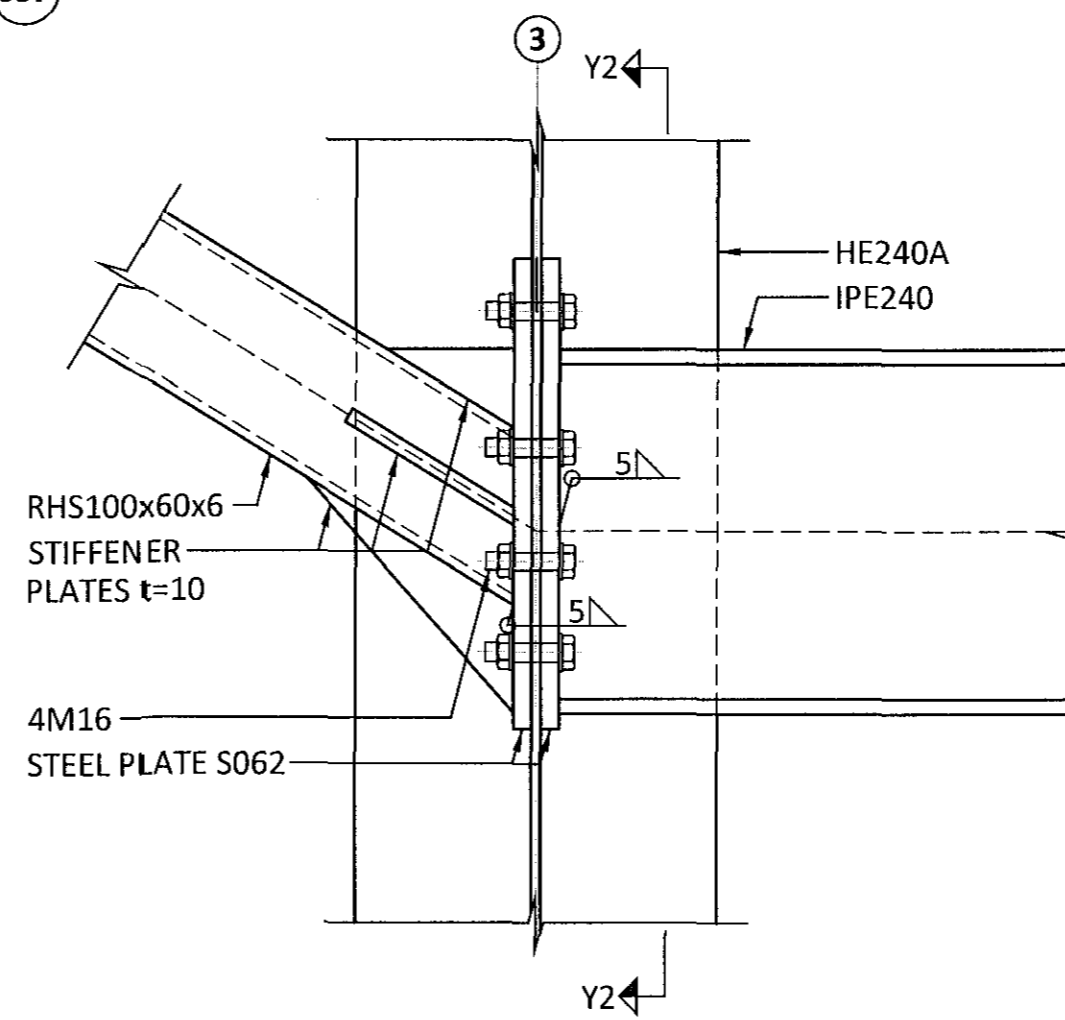
056 SCALE 1:5



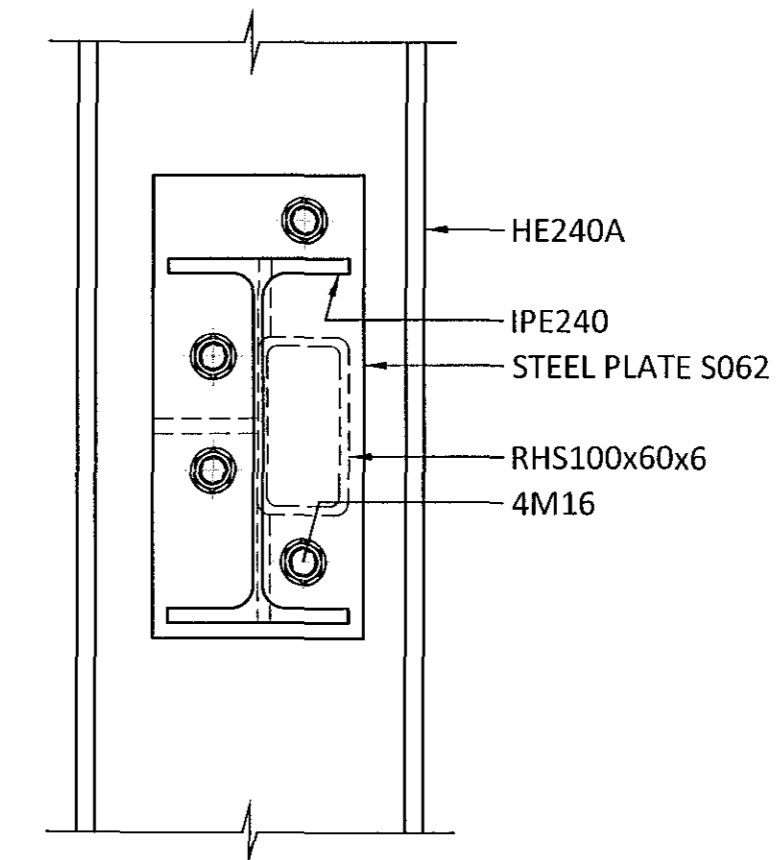
SECTION Y1-Y1 - SCALE 1:5



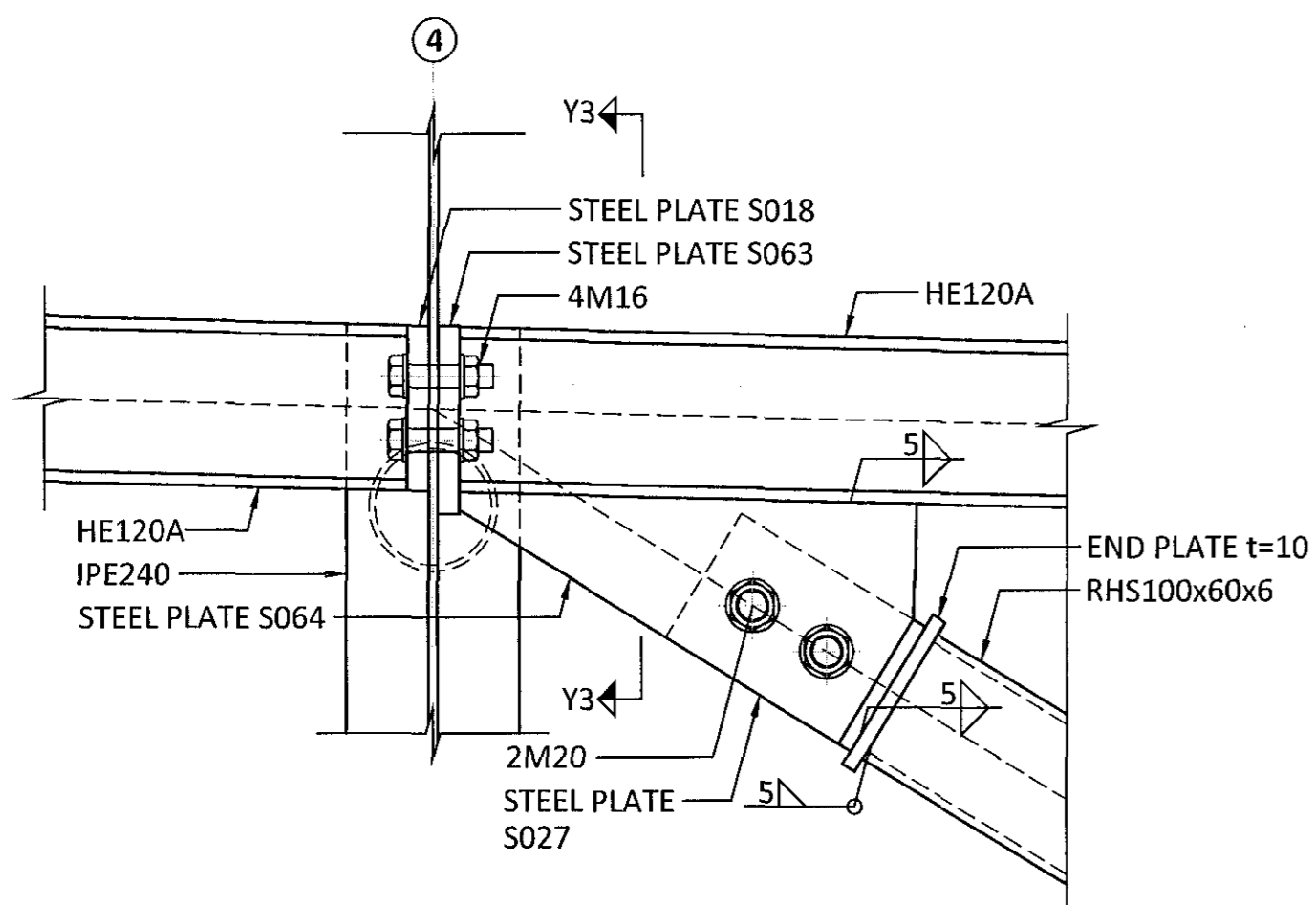
057 SCALE 1:5



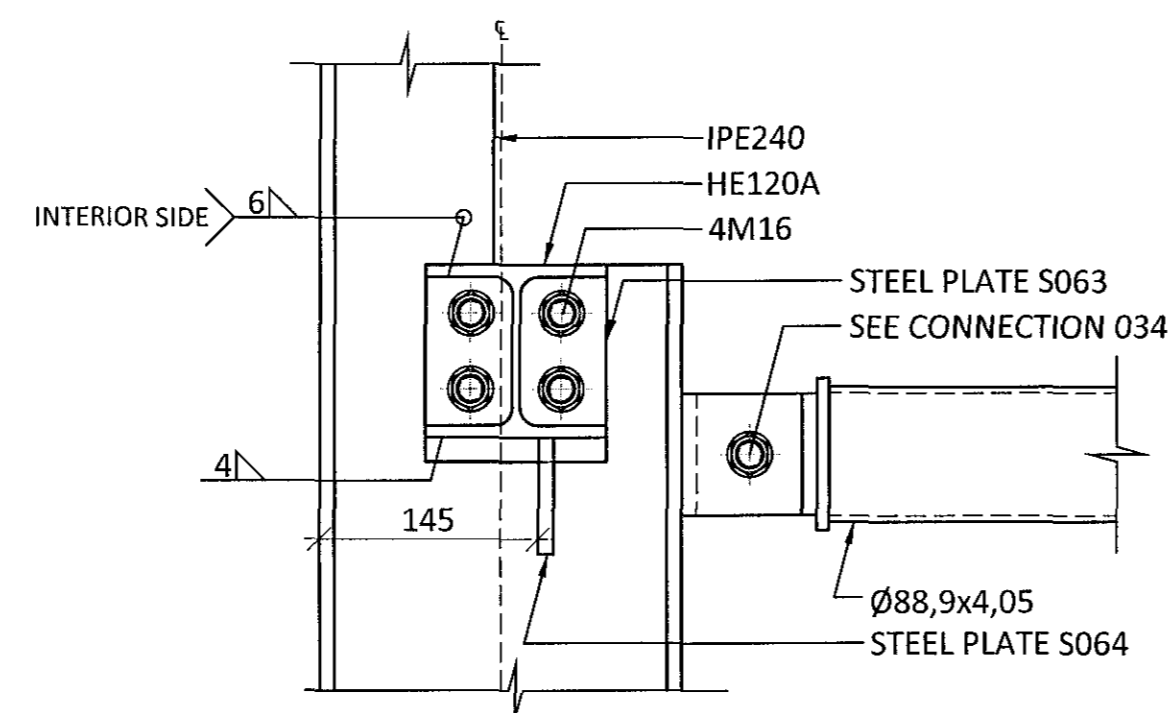
SECTION Y2-Y2 - SCALE 1:5



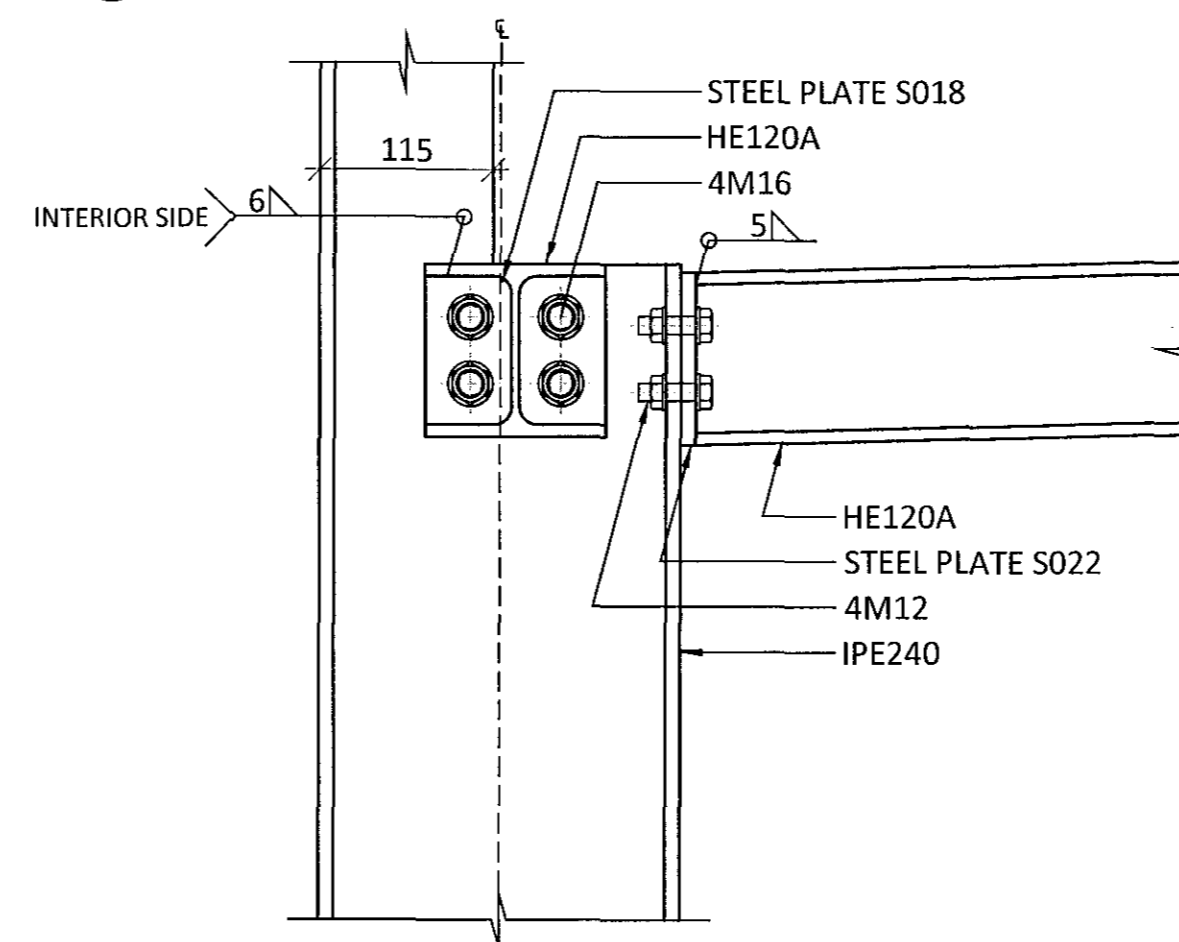
058 SCALE 1:5



SECTION Y3-Y3 - SCALE 1:5



059 SCALE 1:5



ÁRITUN ADALHÖNNUNAR: *[Signature]* 22.09.15

BR.	DAGS.	BREYTING



FLATAHRAUN 13 HAFNARFJÖRÐUR  
NÝBYGGING KRÓNUVERSLUN  
STEEL STRUCTURE  
CONNECTIONS

SAMPYKKT		KT.	
<i>[Signature]</i>			
HÖNNUÐUR	YFIRFARID	DAGS. ÚTG.	DAGS. BREYT.
AK	arngrimur@ferill.is	HE	09.09.15
MKV.	VERKNR.	TEKN. NR.	BREYT.
1:5	14048	1 - 3307	