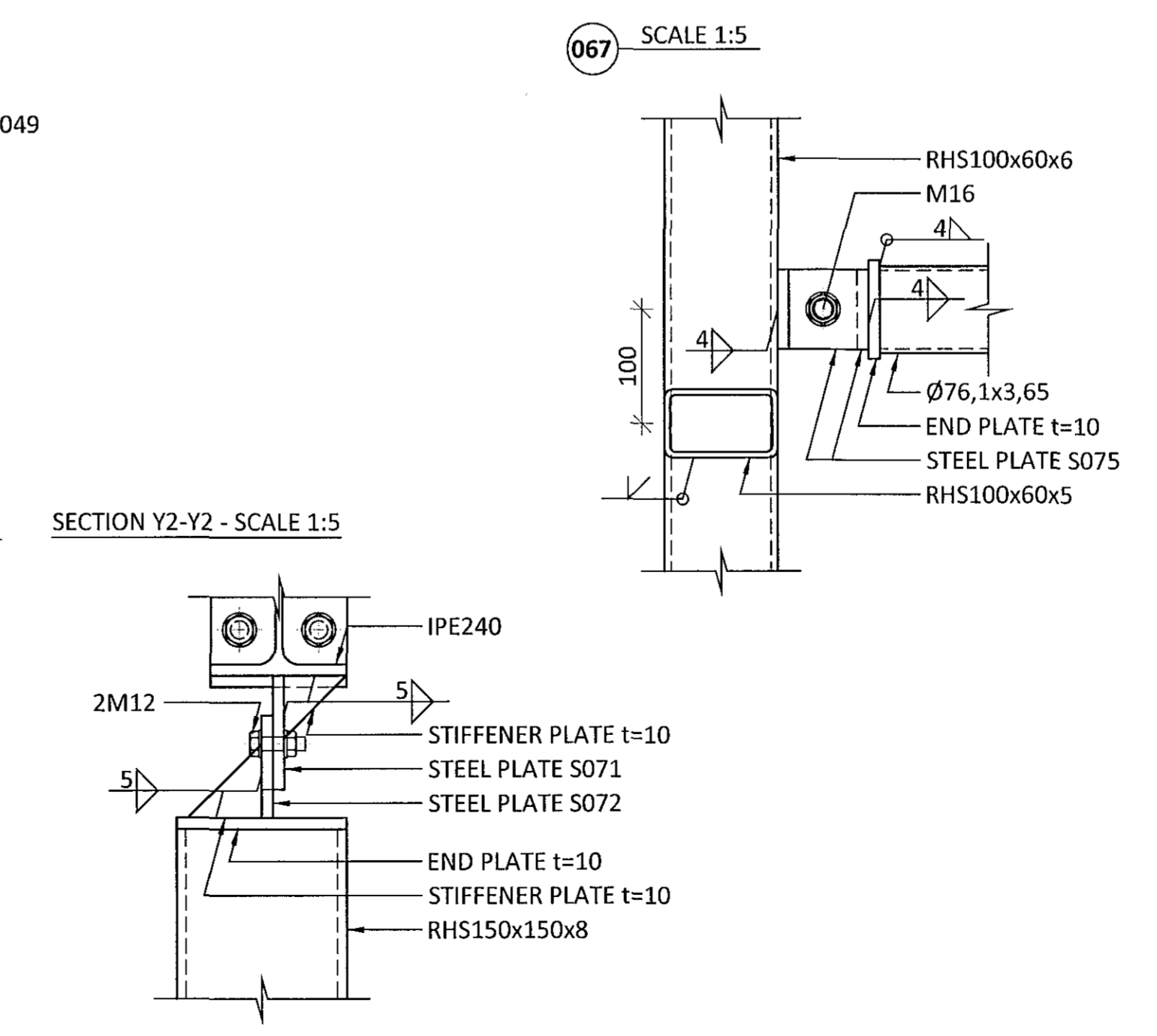
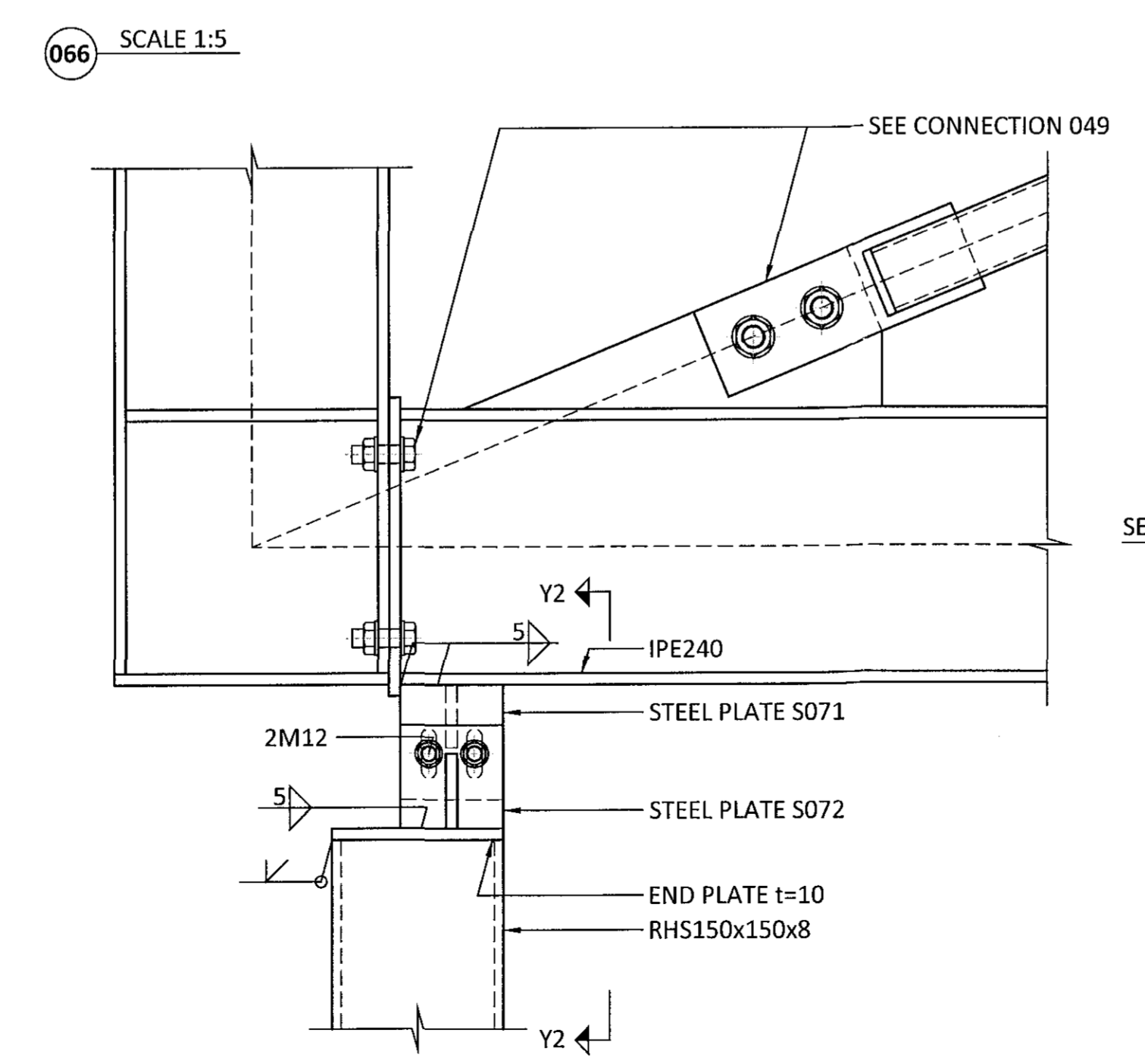
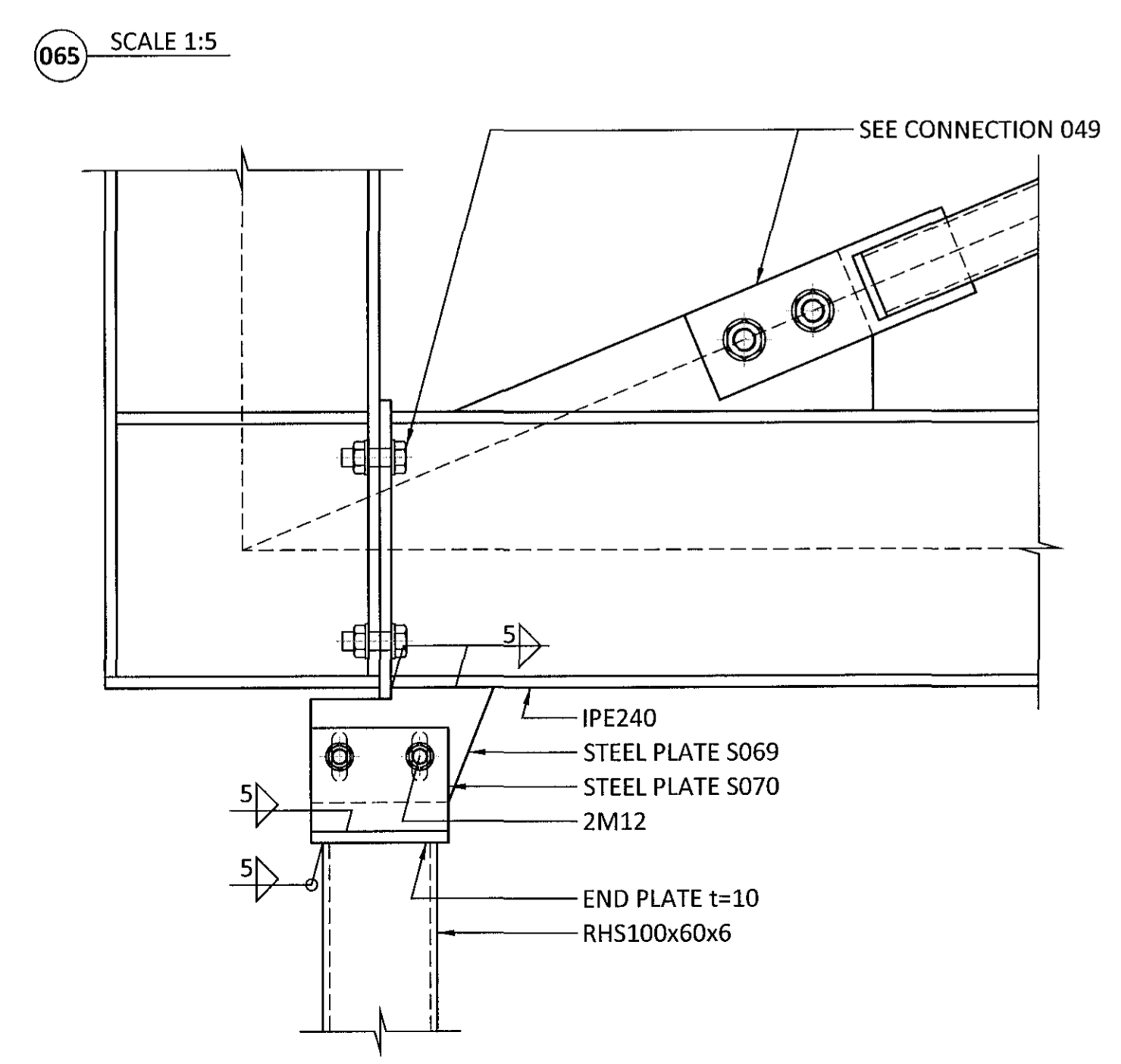
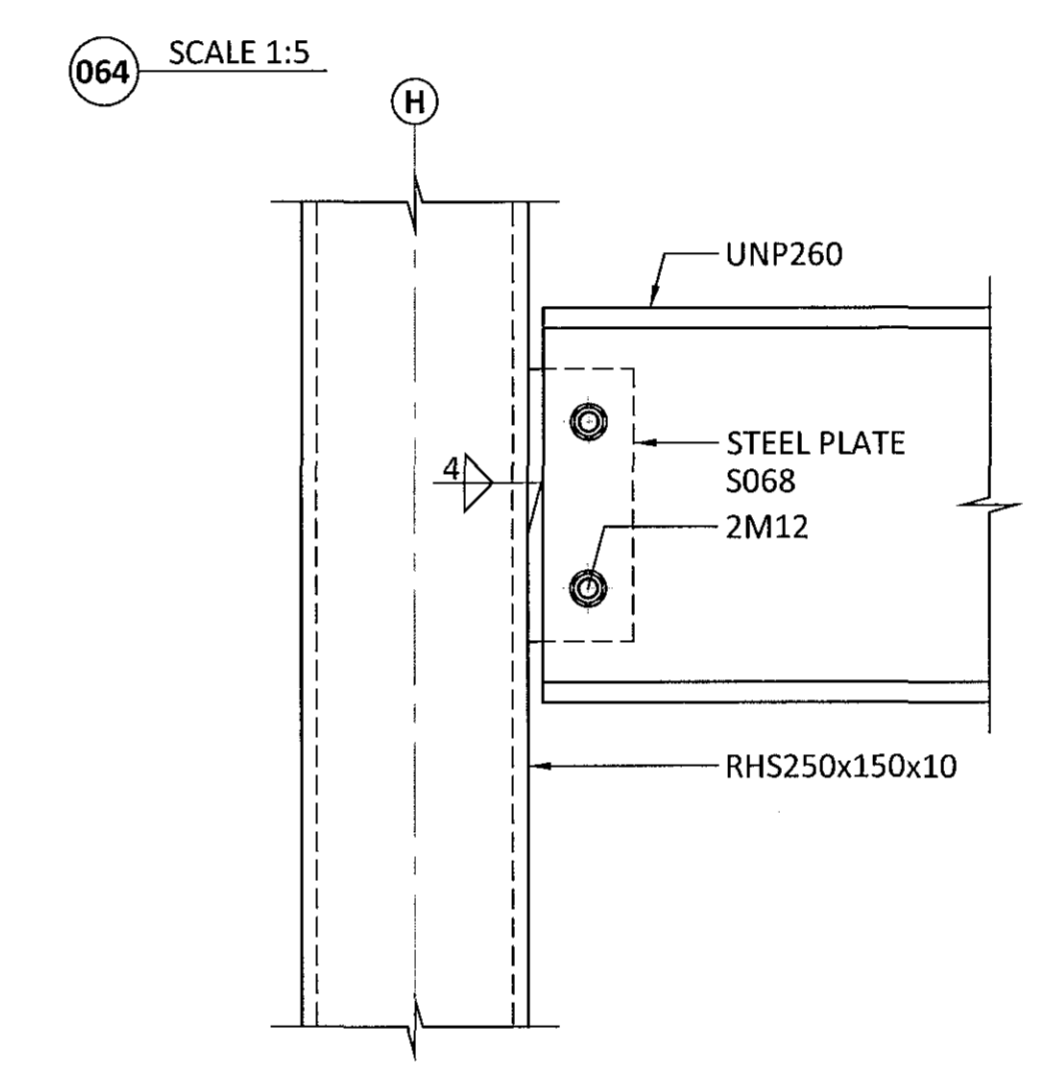
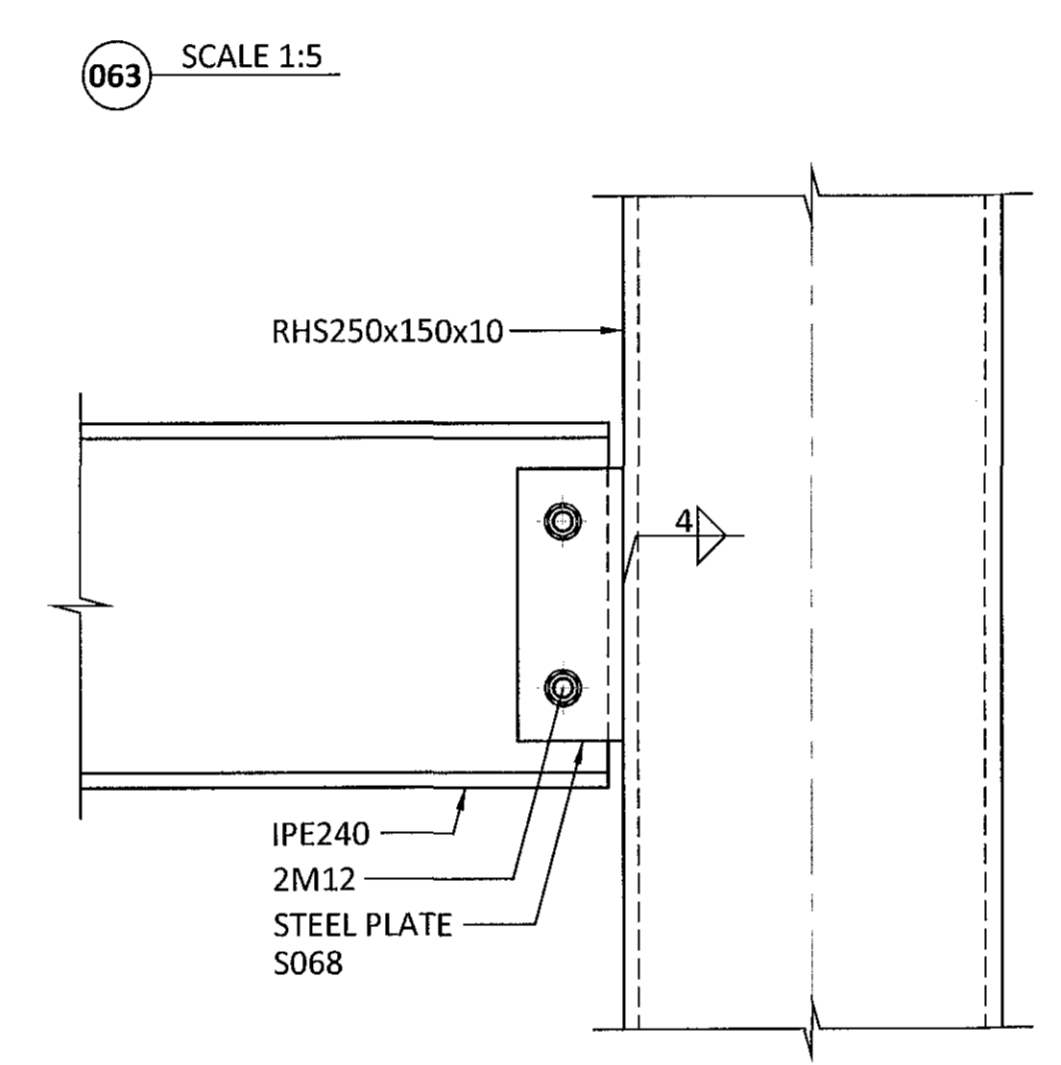
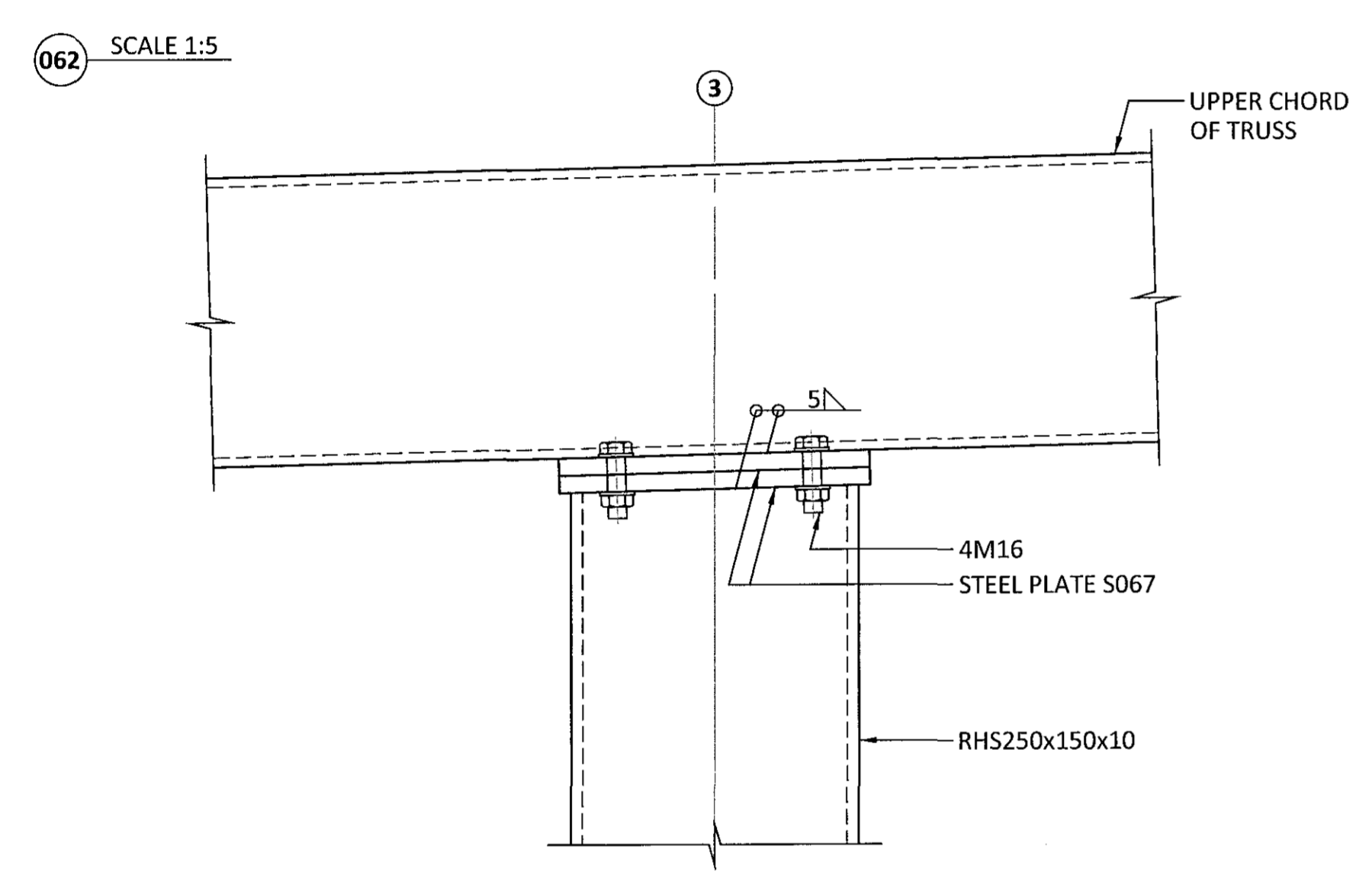
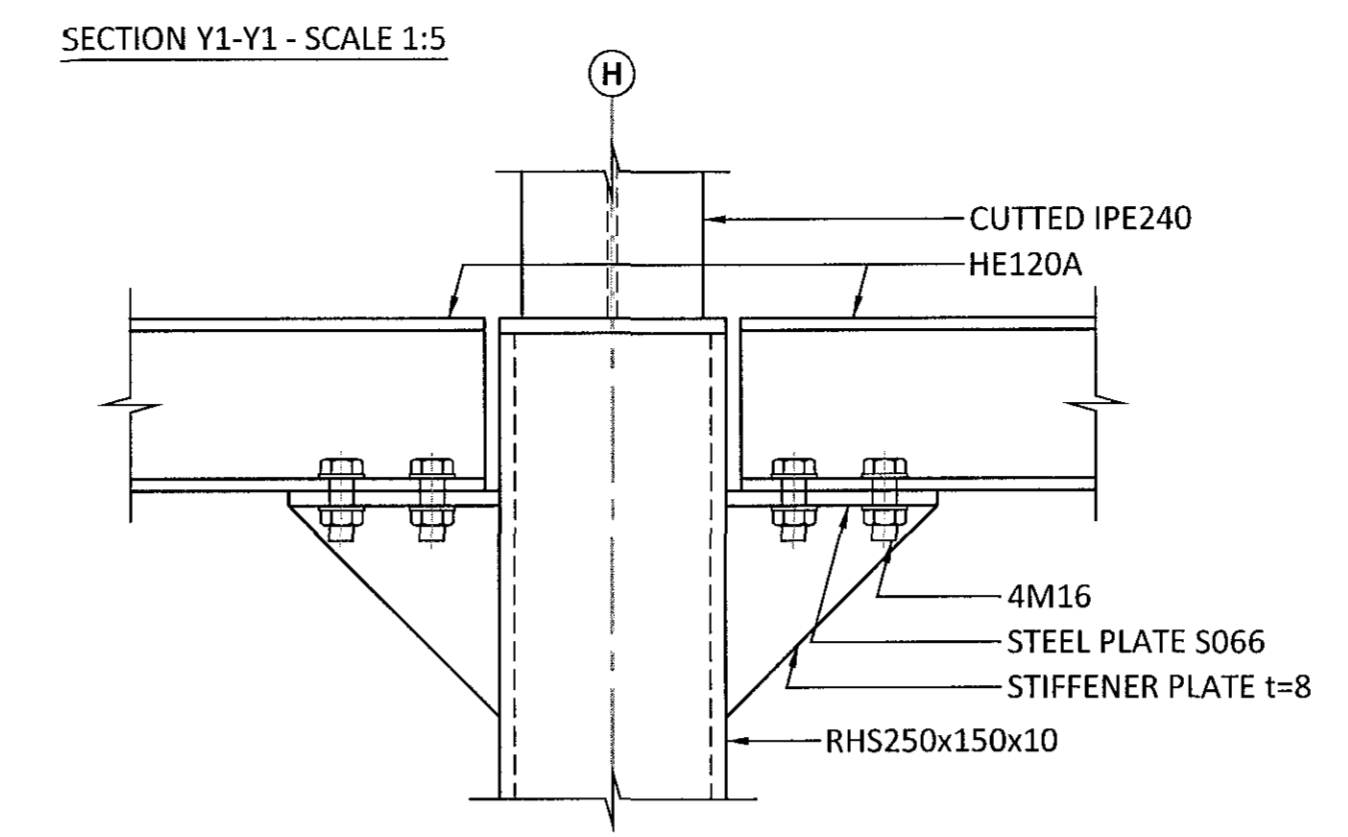
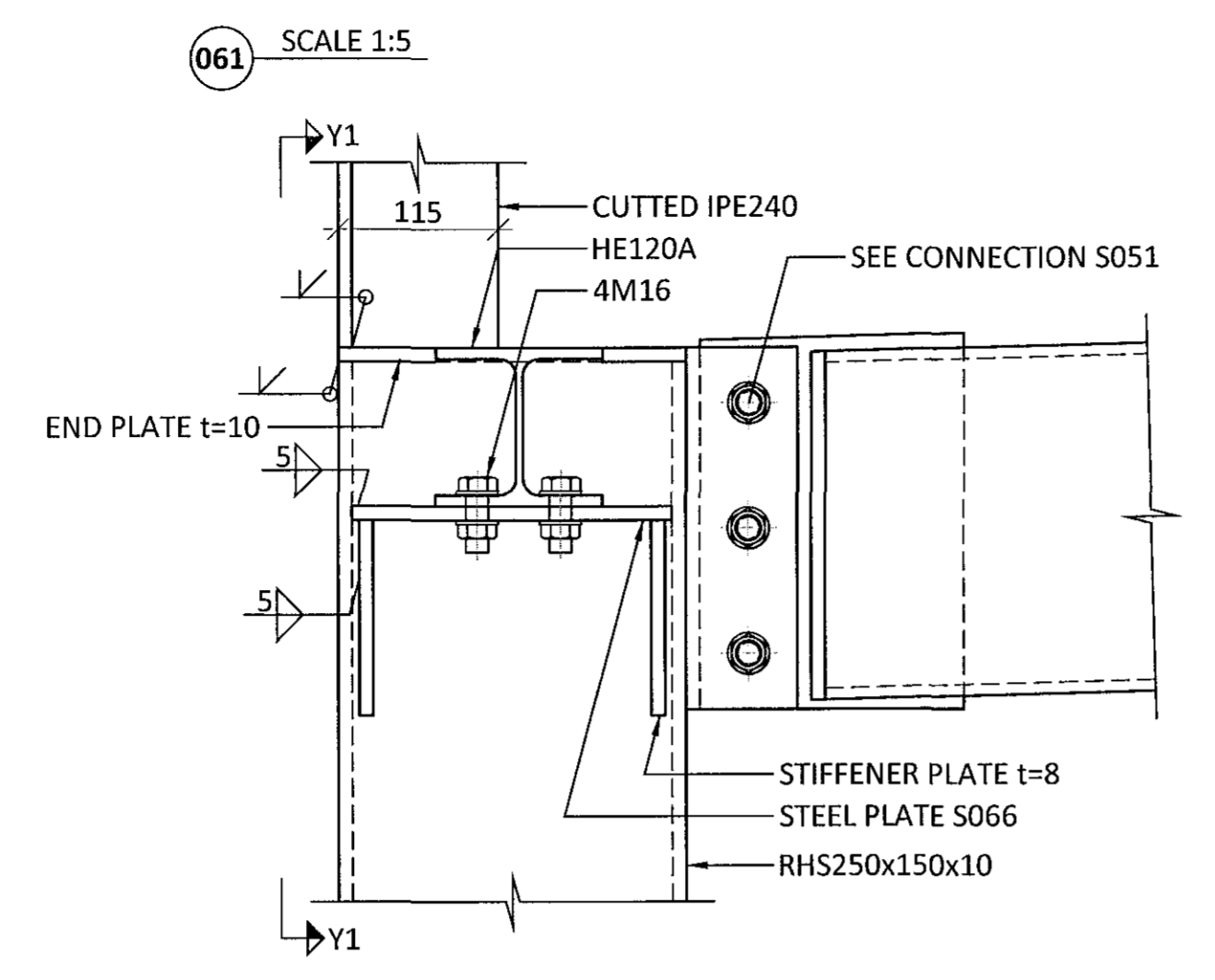
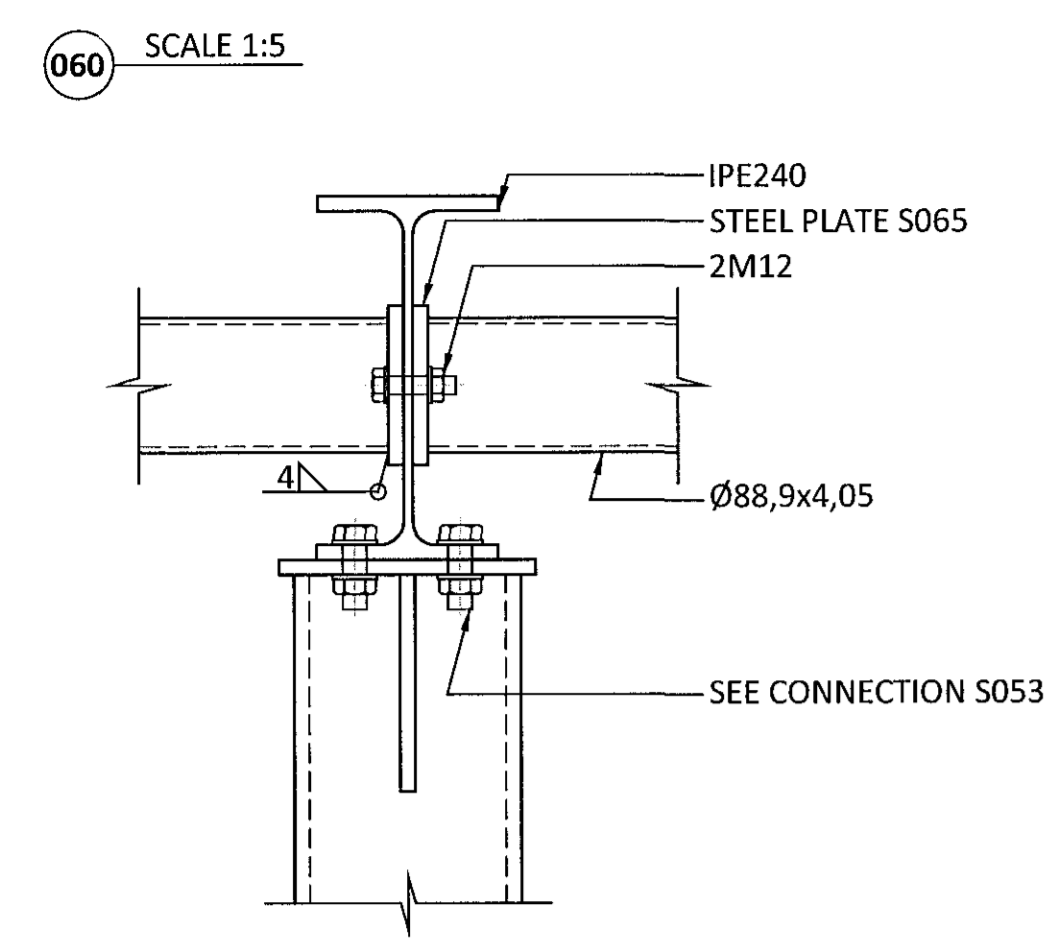
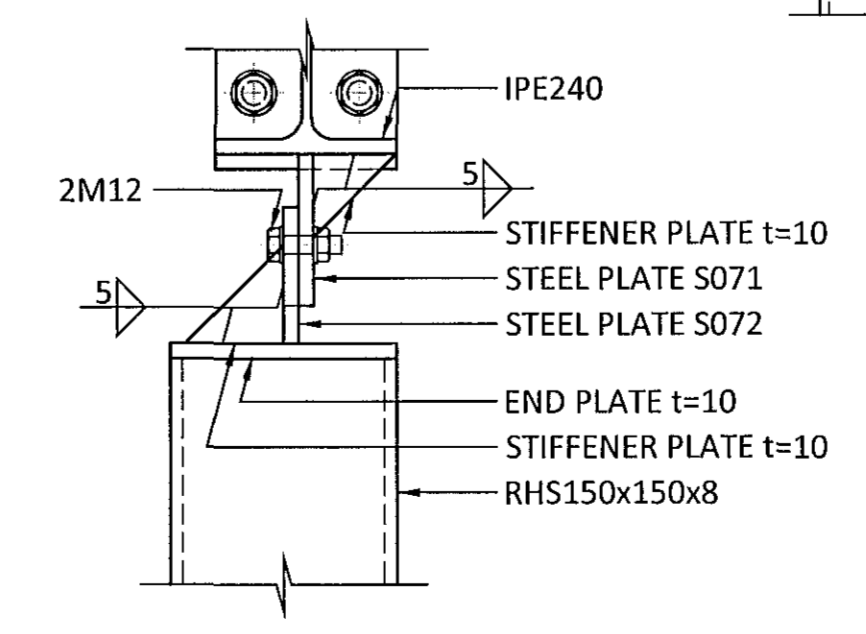


GENERAL NOTES FOR STEEL STRUCTURE:
• SEE DRAWING 1-1100 FOR GENERAL NOTES
• SEE DRAWING 1-3350+ FOR STEEL PLATES



SECTION Y2-Y2 - SCALE 1:5



ÁRITUN ADALHÖNDURAR
28 SEP 2015

BR.	DAGS.	BREYTING



FLATAHRAUN 13 HAFNARFJÖRÐUR
NÝBYGGING KRÖNUVERSLUN
STEEL STRUCTURE CONNECTIONS

SAMPYLT: *Andri Snær Þorsteinsson* 070970-4149

HÖNNUÐUR	YFIRFARID	DAGS. ÚTG.	DAGS. BREYT.
AK	HE	09.09.15	
MKVY	VERKNR.	TEKNI. NR.	BREYT.
1:5	14048	1 - 3308	

Ferill ehf. Mörkín 1 108 Reykjavík Sími: 575 1600 Fax: 575 1601 www.ferill.is