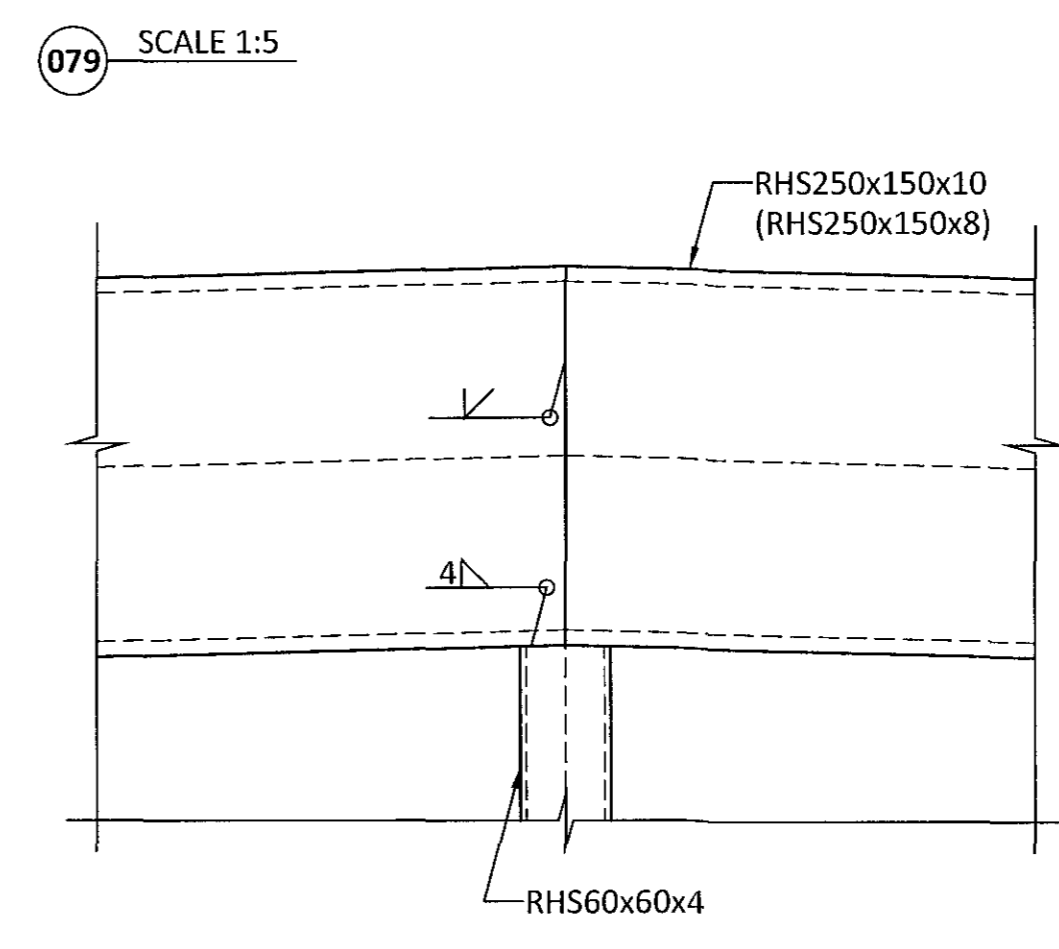
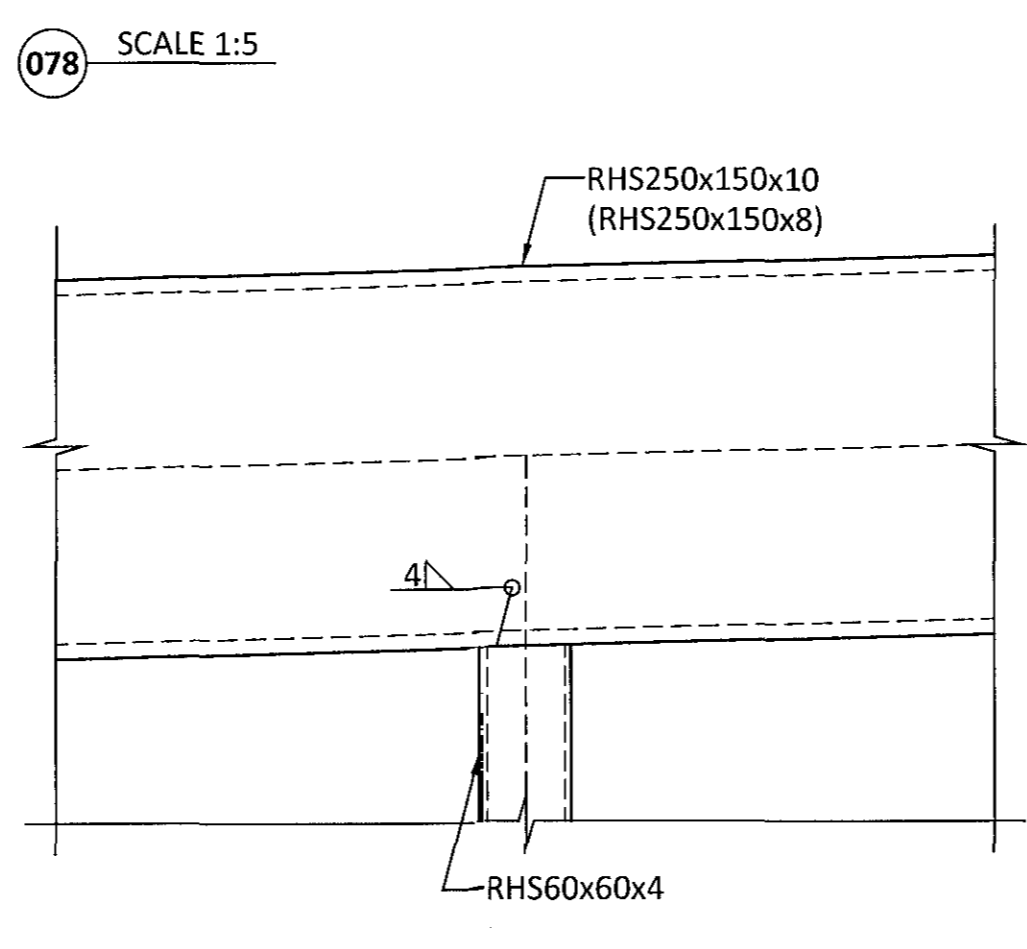
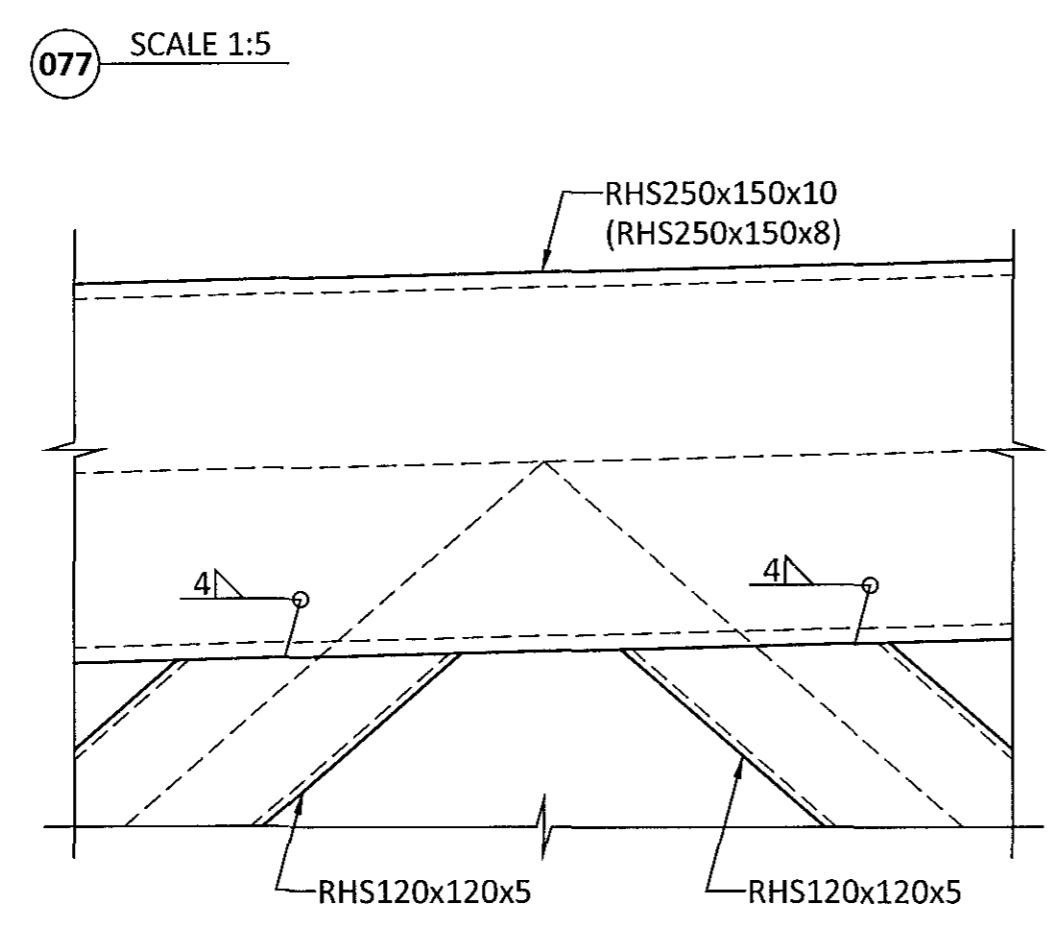
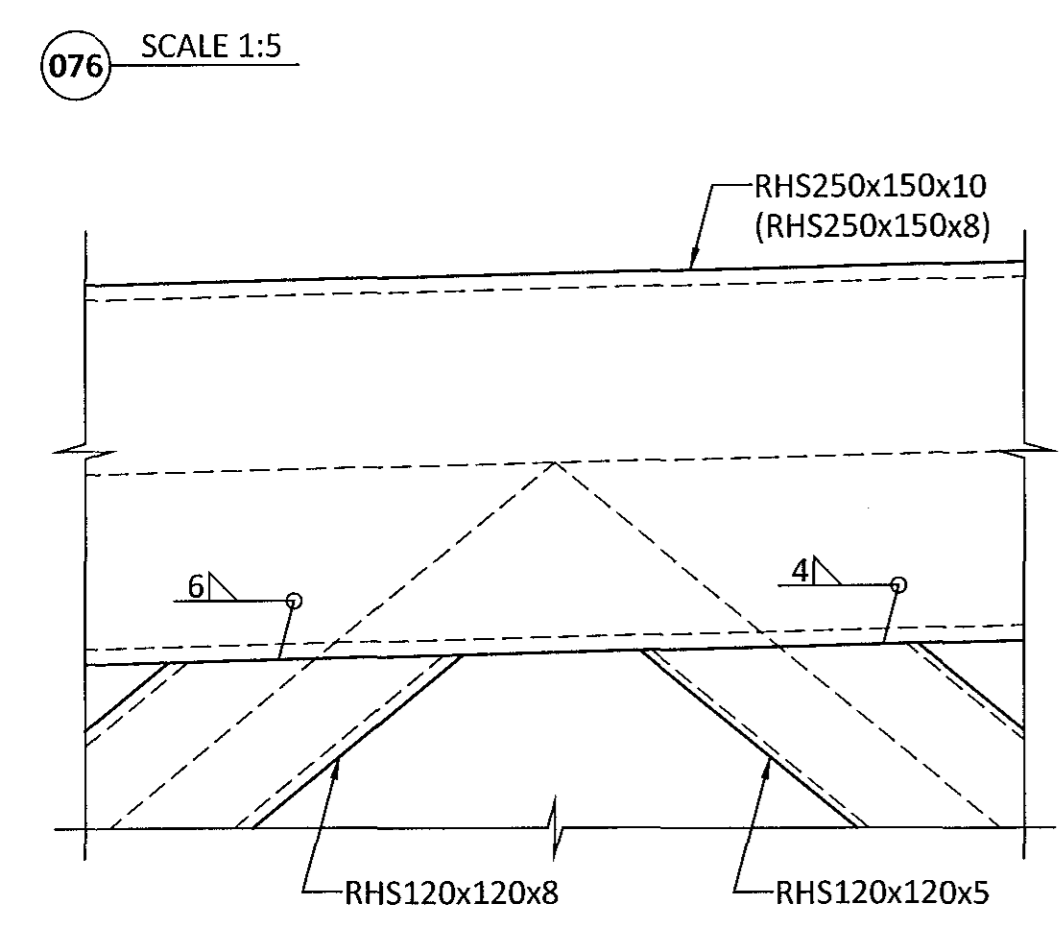
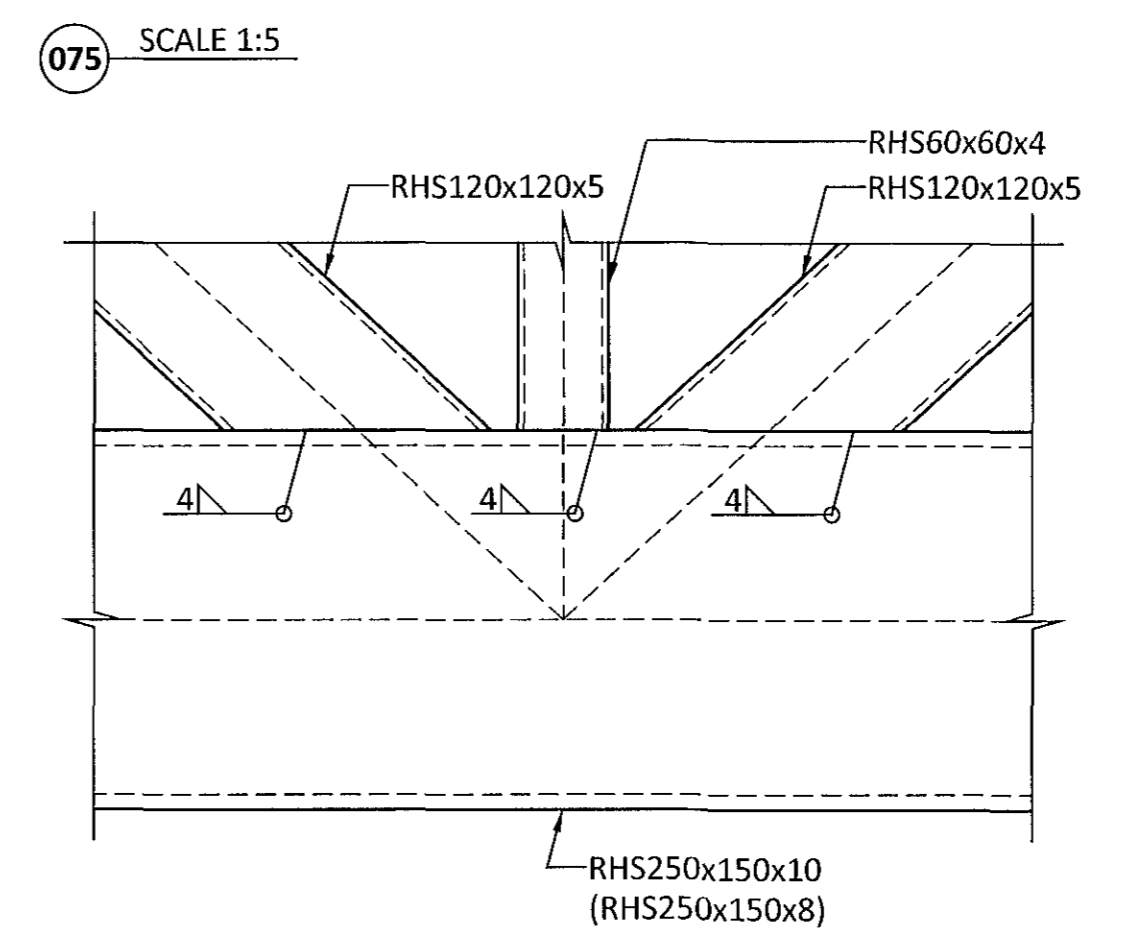
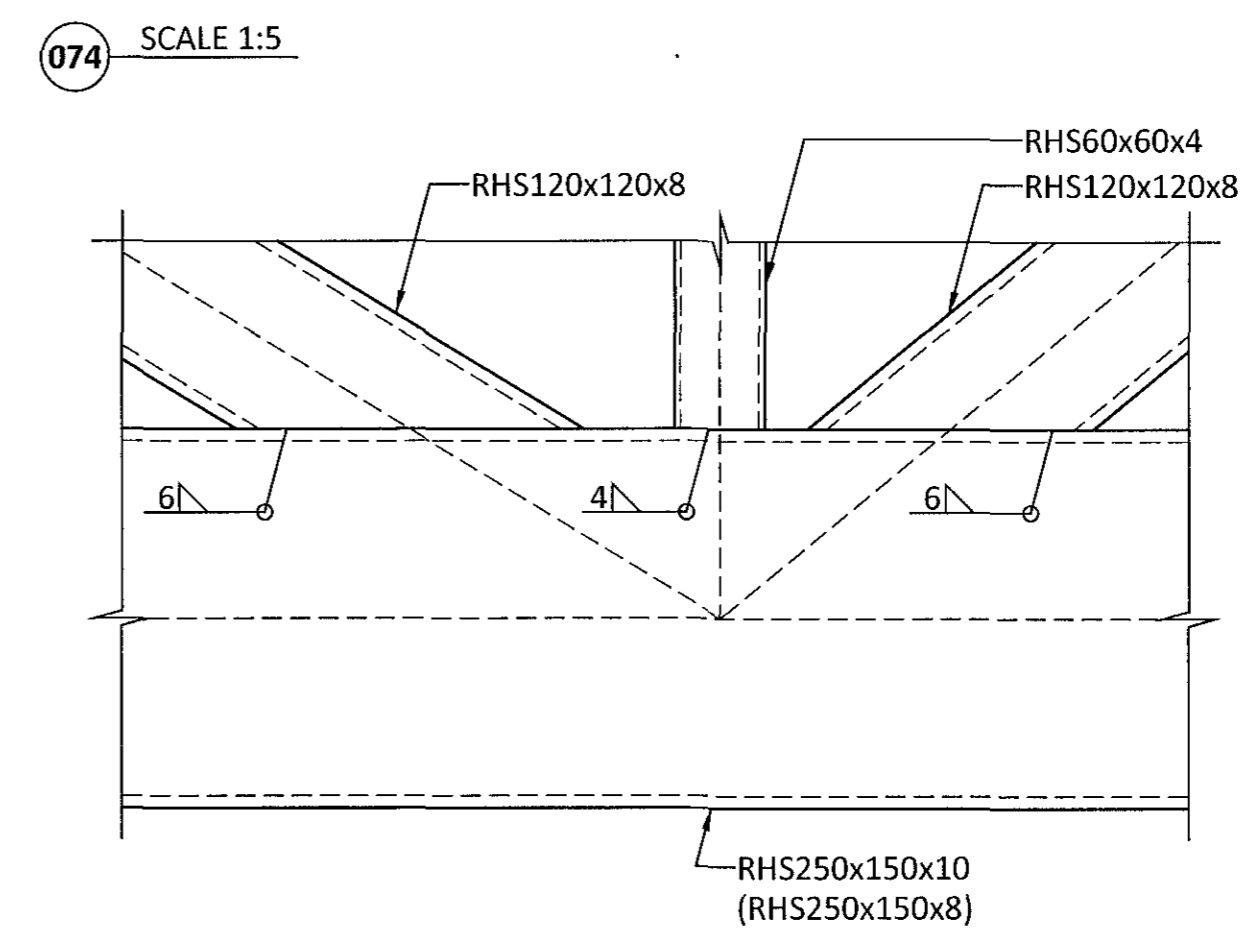
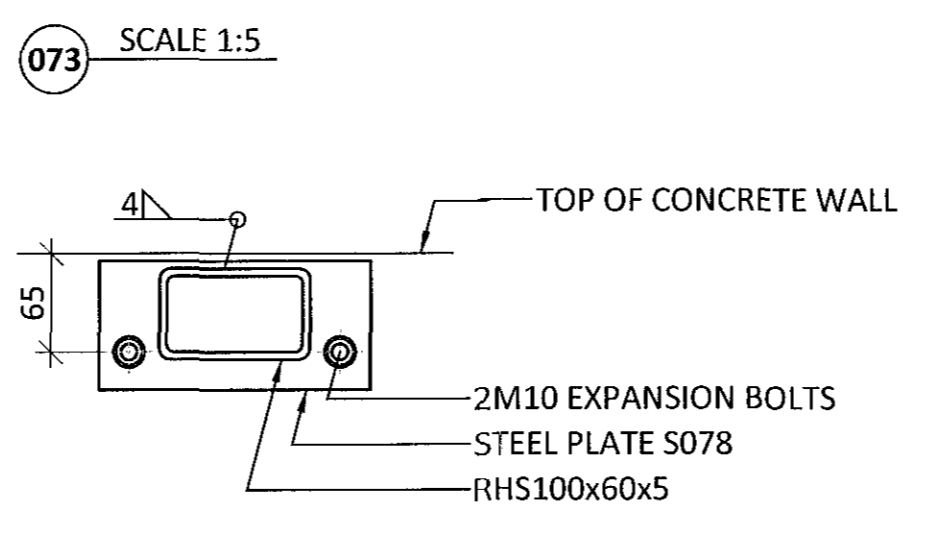
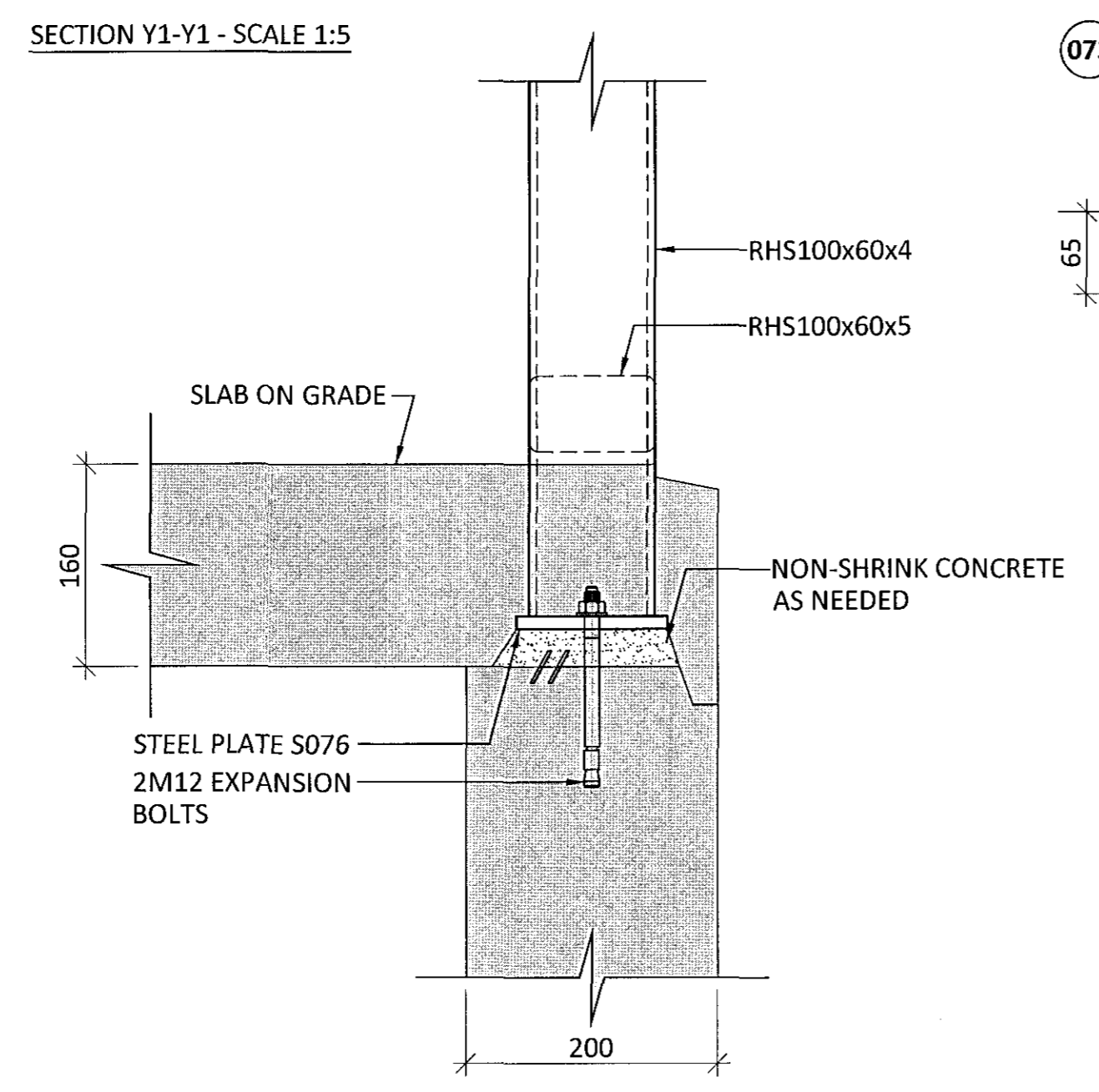
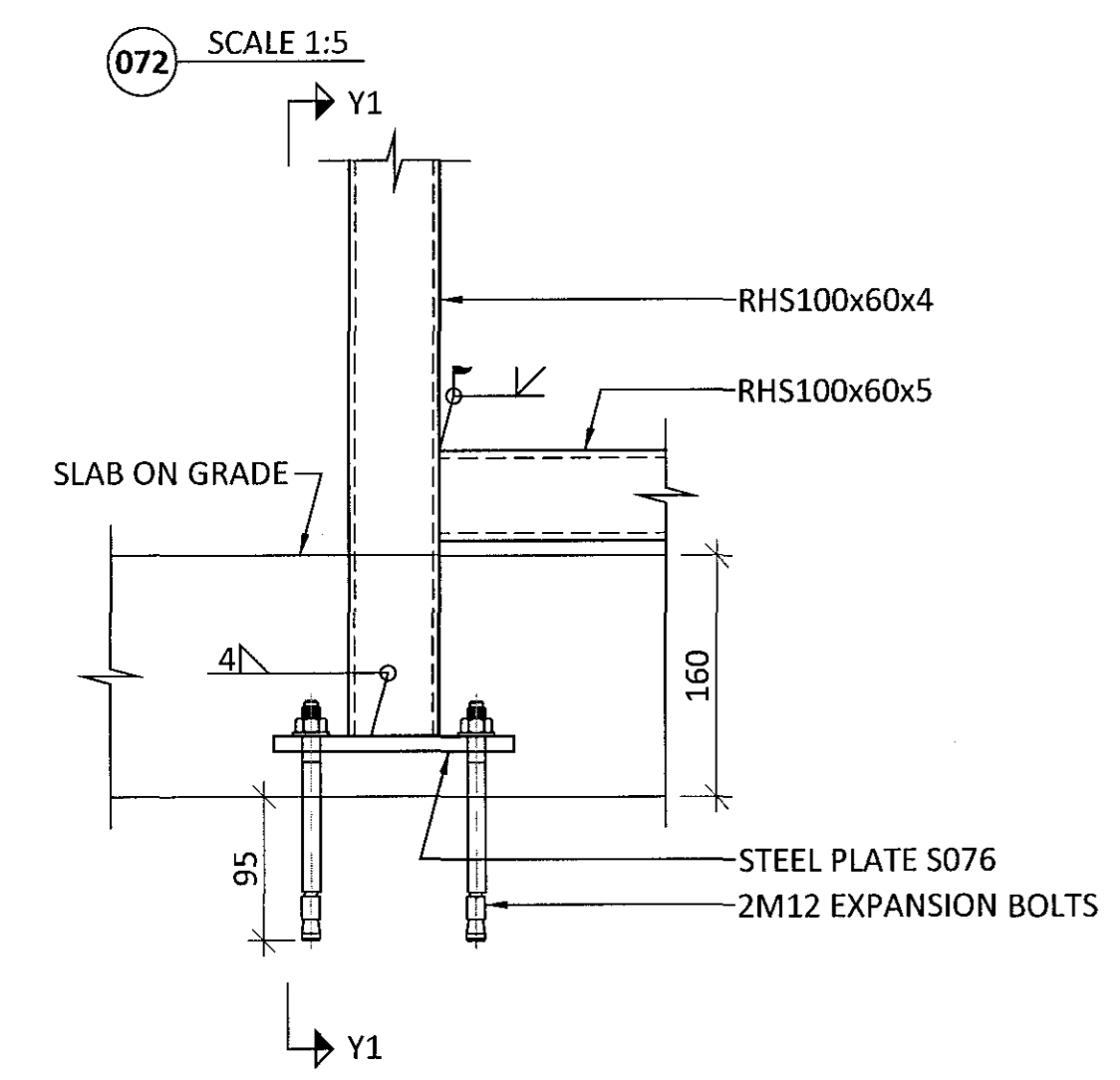
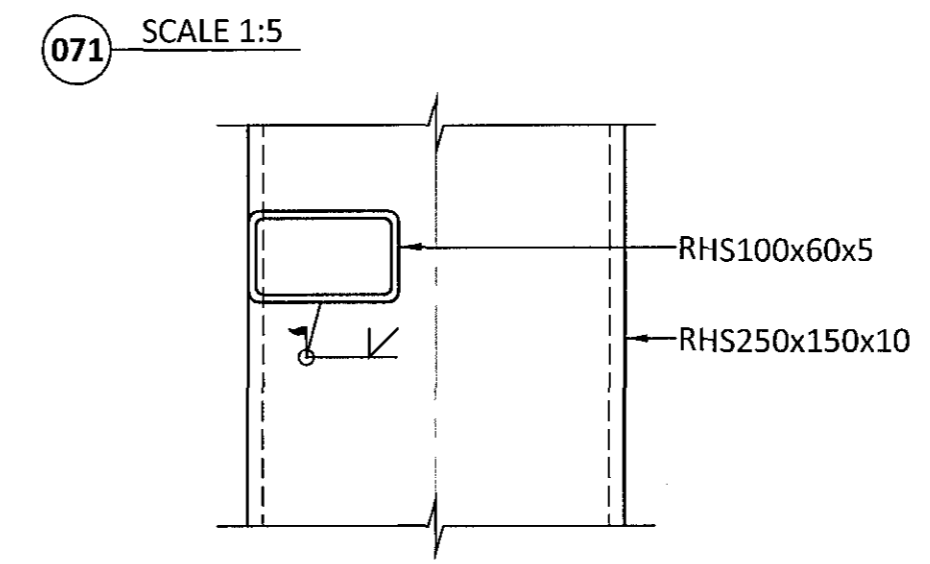
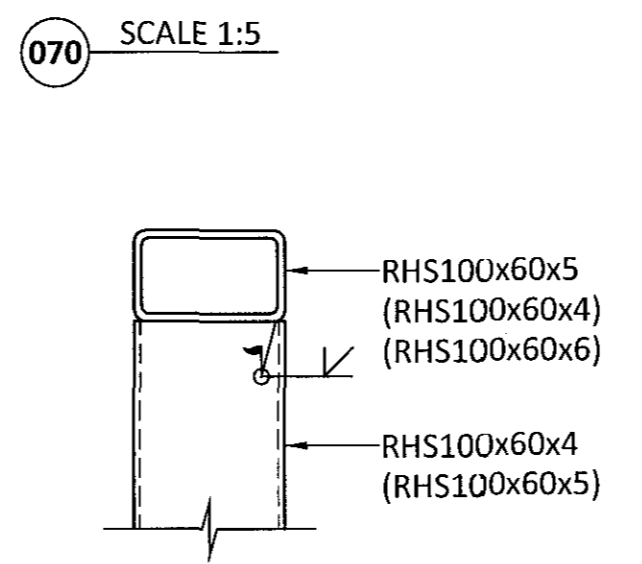
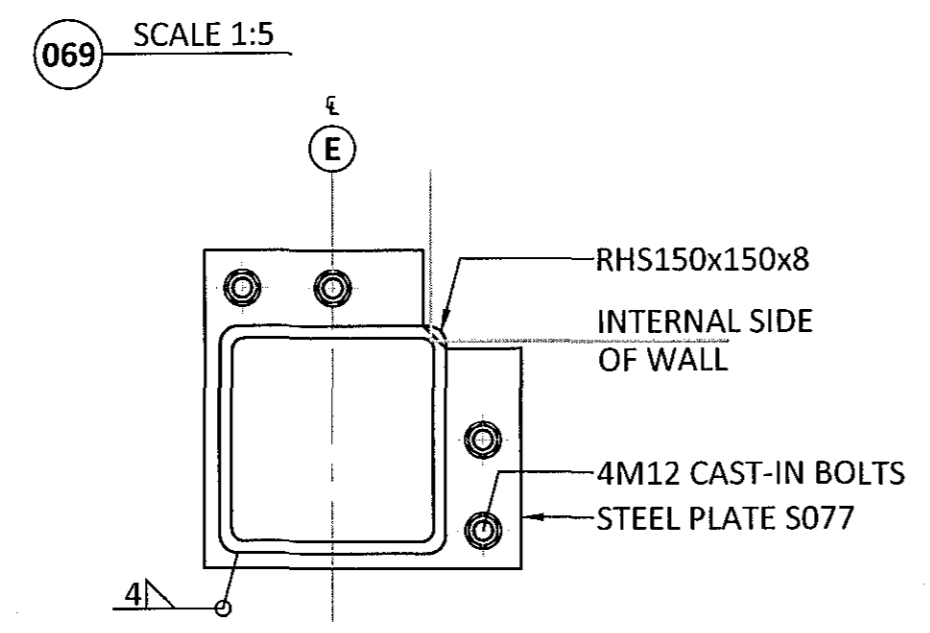
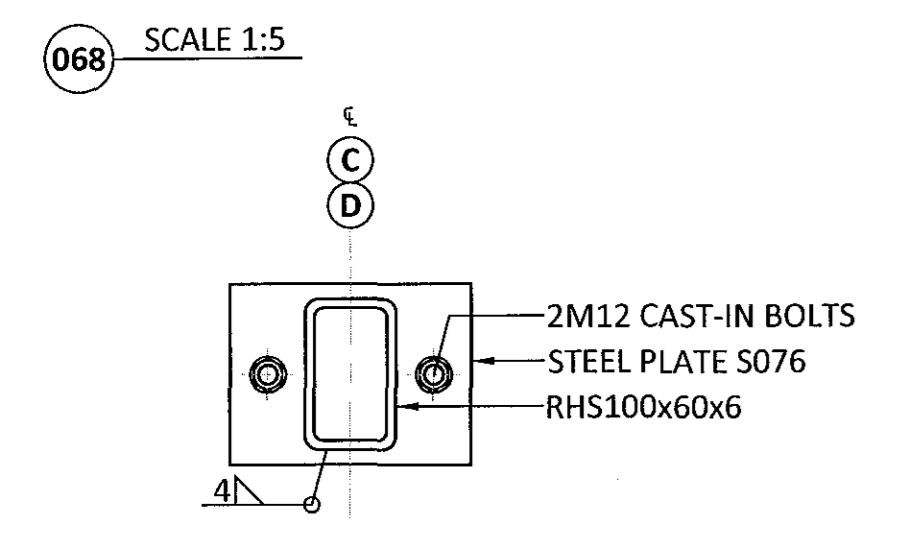


Samþykkt
28 SEP 2015
Byggingafræðingur Eiríkur
Fh. Sigurður Steinarsson

GENERAL NOTES FOR STEEL STRUCTURE:
• SEE DRAWING 1-1100 FOR GENERAL NOTES
• SEE DRAWING 1-3350+ FOR STEEL PLATES



ARITUN AÐALHÖNDUÐAR: *[Signature]* 22.08.1493 65

BR.	DAGS.	BREYTING



FLATAHRAUN 13 HAFNARFJÖRDUR
NÝBYGGING KRÓNUVERSLUN
STEEL STRUCTURE CONNECTIONS

SAMPYKKT: <i>[Signature]</i> 070970-4149			
HÖNNUÐUR	YHRFARID	DAGS. ÚTG.	DAGS. BREYT.
AK arngrimur@ferill.is	HE	09.09.15	
MKV.	VERKNR.	TEIKN. NR.	BREYT.
1:5	14048	1 - 3309	
Ferill ehf. Mörkín 1 108 Reykjavík Sími: 575 1600 Fax: 575 1601 www.ferill.is			