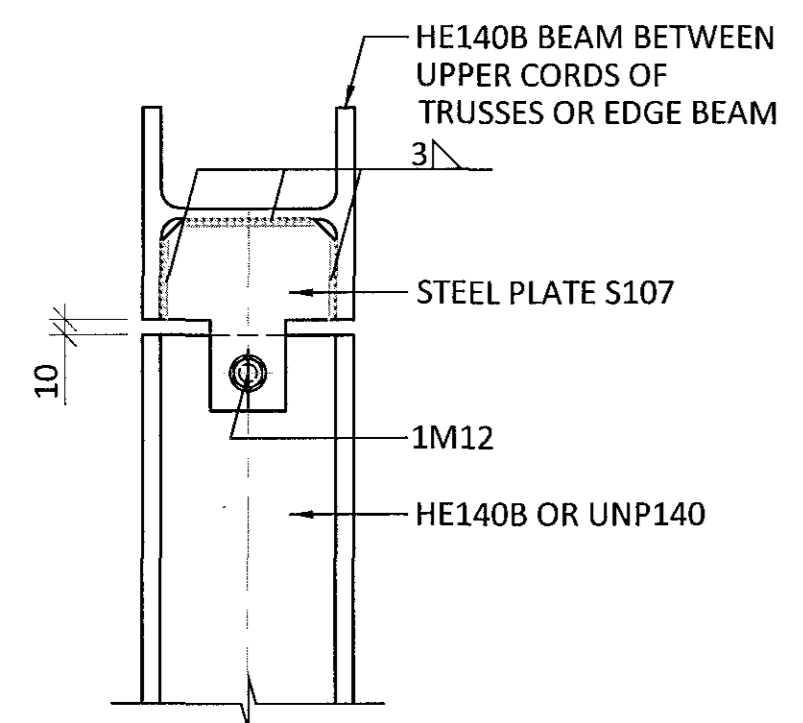
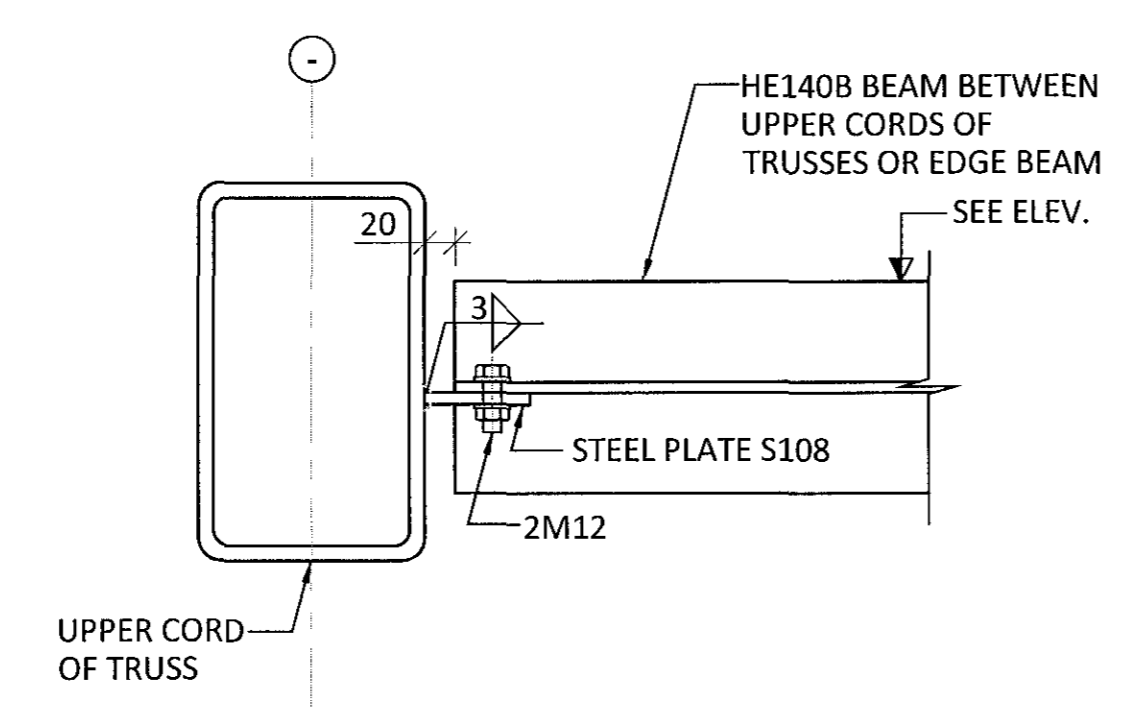


Sampykkt þarfi
 28 SEP 2015
 Byggingarfulltrúinn í Hafnarfjörð
 Fl. Sigurður Steinar Jónsson

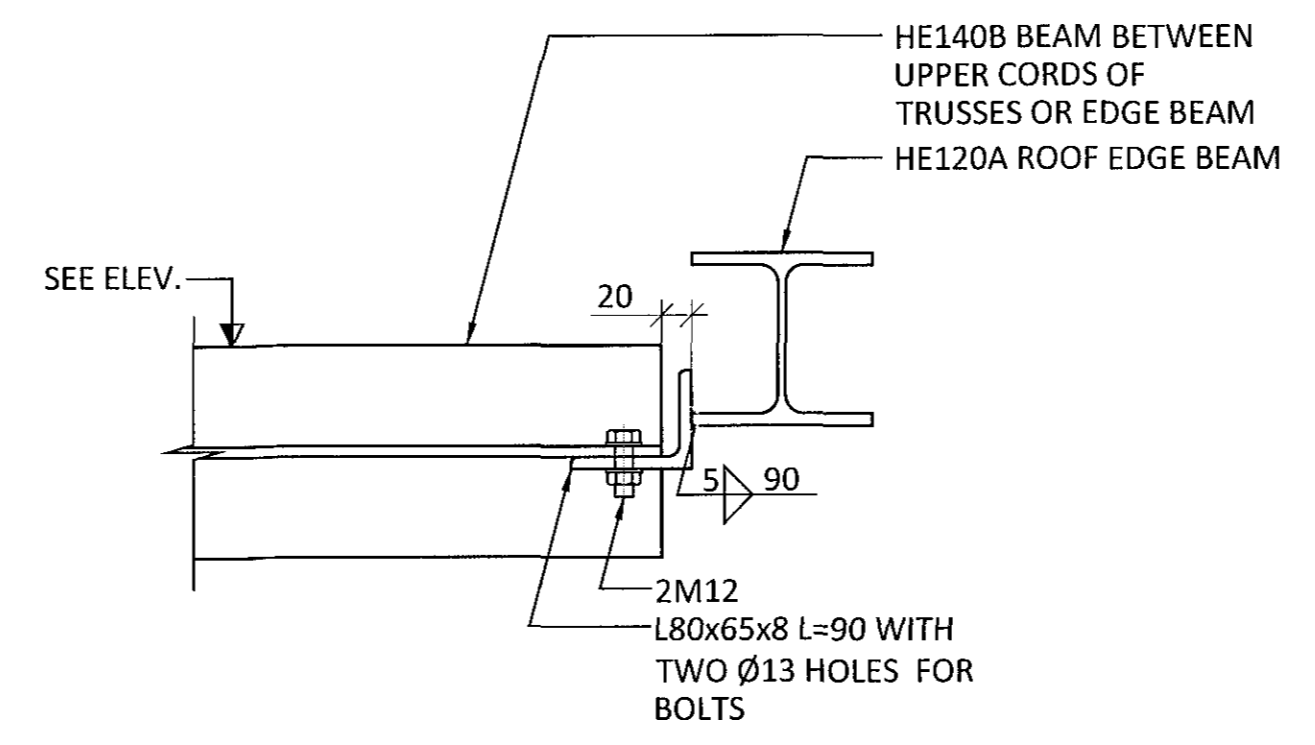
111 SCALE 1:5



112 SCALE 1:5



113 SCALE 1:5



- GENERAL NOTES FOR STEEL STRUCTURE:
- SEE DRAWING 1-1100 FOR GENERAL NOTES
 - SEE DRAWING 1-3350+ FOR STEEL PLATES

ÁRITUN AÐALHÁNDUÐAR: *[Signature]* 22.09.2015

BR.	DAGS.	BREYTING



FLATAHRAUN 13 HAFNARFJÖRDUR
 NÝBYGGING KRÖNUVERSLUN
 STEEL STRUCTURE CONNECTIONS

SAMPYKKT		KT.	
<i>[Signature]</i>		<i>[Signature]</i>	
HÖNNUÐUR	YFIRFARIÐ	DAGS. ÚTG.	DAGS. BREYT.
AK arngrimur@ferill.is	HE	09.09.15	
MKV.	VERKNR.	TEIKNR.	BREYT.
1:5	14048	1 - 3321	