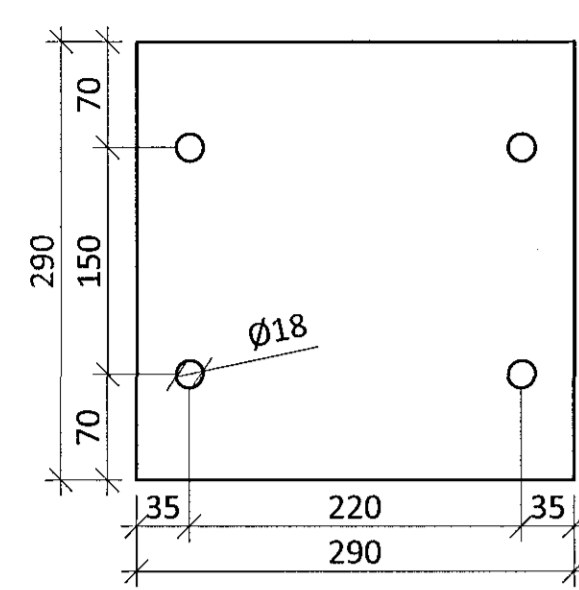


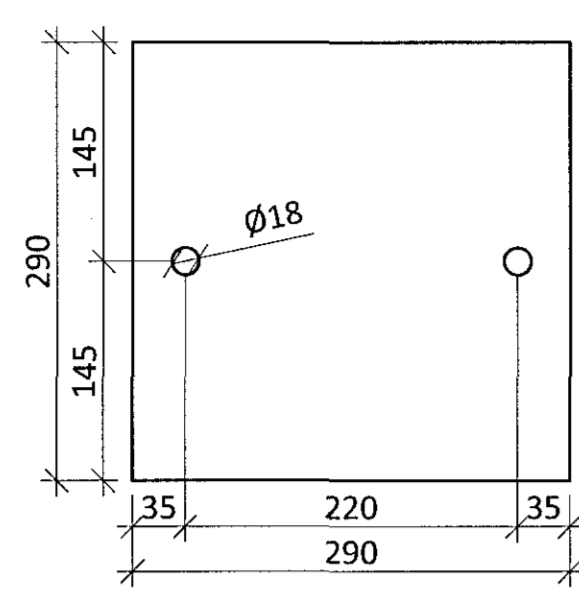
GENERAL NOTES FOR STEEL STRUCTURE:

- SEE DRAWING 1-1100 FOR GENERAL NOTES
  - SEE DRAWING 1-3301+ FOR CONNECTIONS
- (001) (002) .....

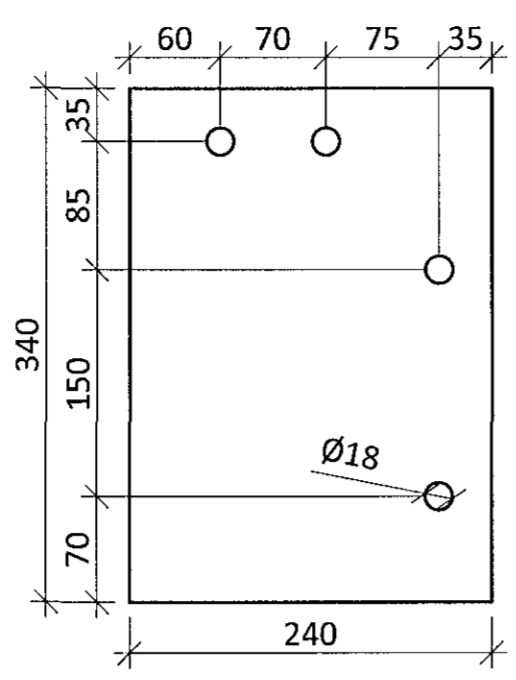
STEEL PLATE S001 - t=20mm



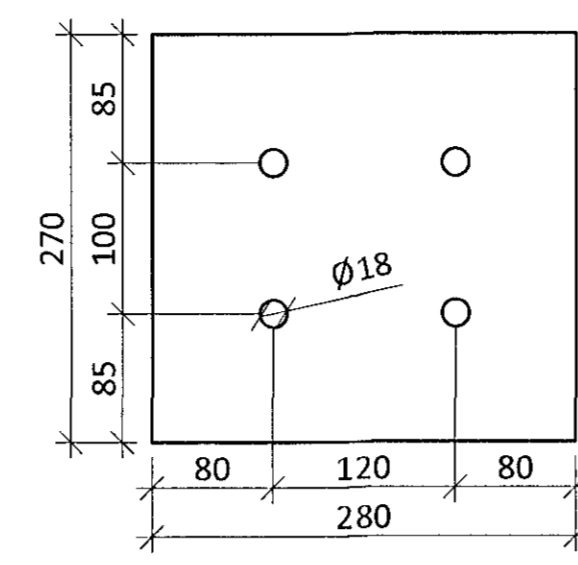
STEEL PLATE S002 - t=15mm



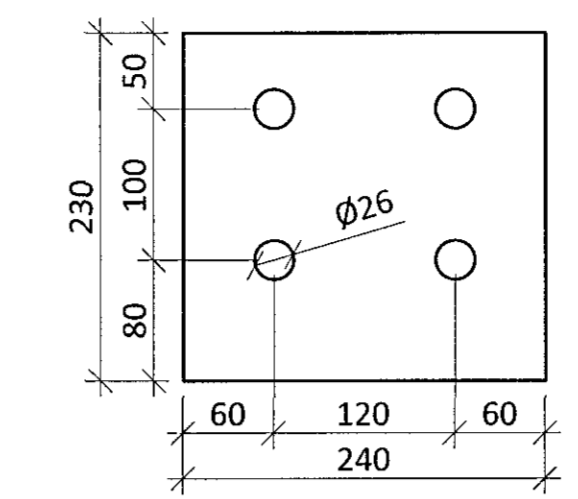
STEEL PLATE S003 - t=15mm



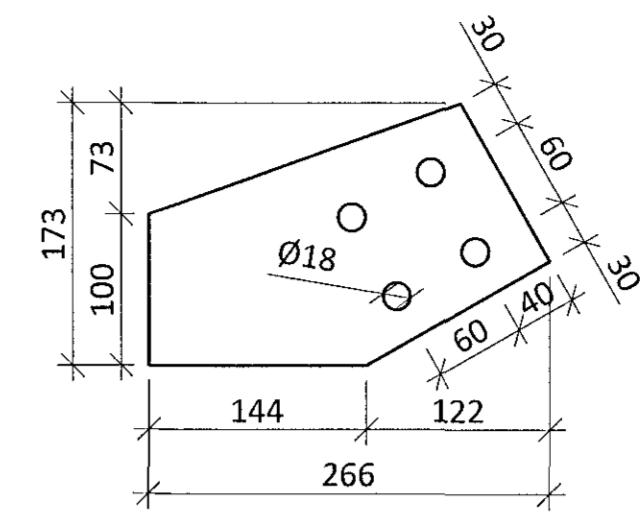
STEEL PLATE S004 - t=20mm



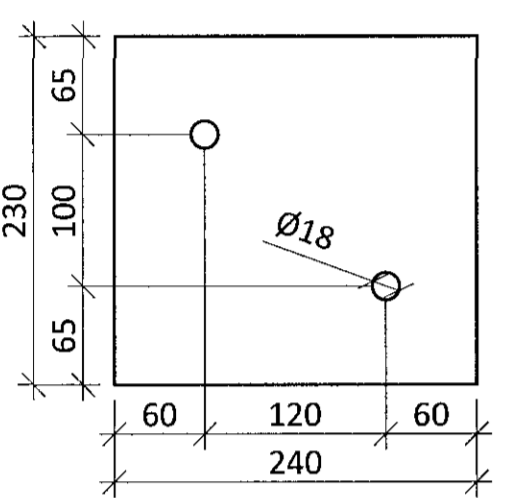
STEEL PLATE S005 - t=15mm



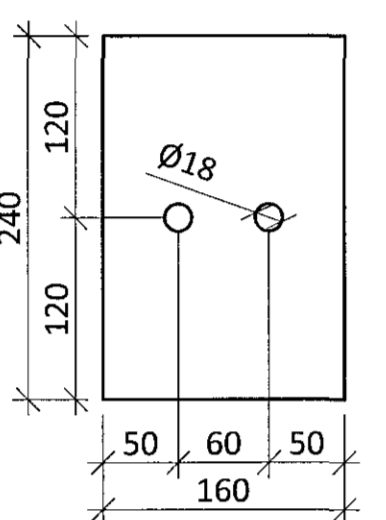
STEEL PLATE S006 - t=10mm



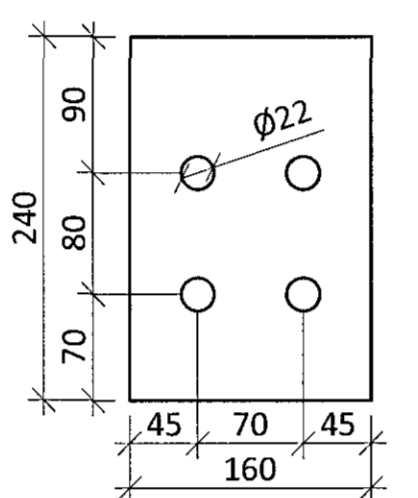
STEEL PLATE S007 - t=15mm



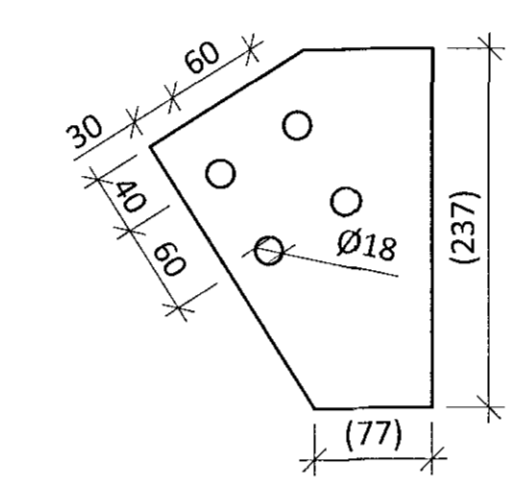
STEEL PLATE S008 - t=15mm



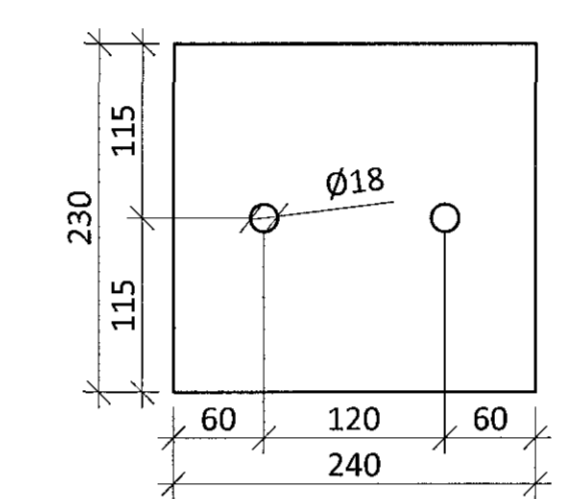
STEEL PLATE S009 - t=15mm



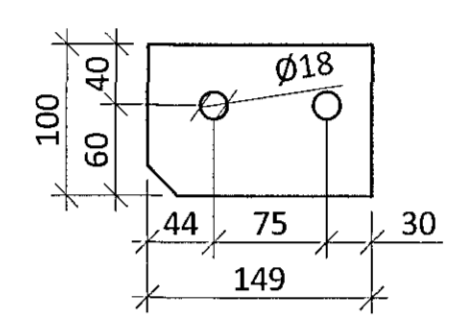
STEEL PLATE S010 - t=10mm



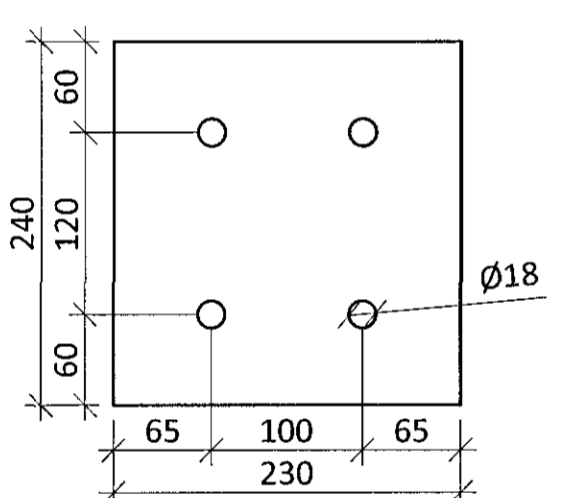
STEEL PLATE S011 - t=15mm



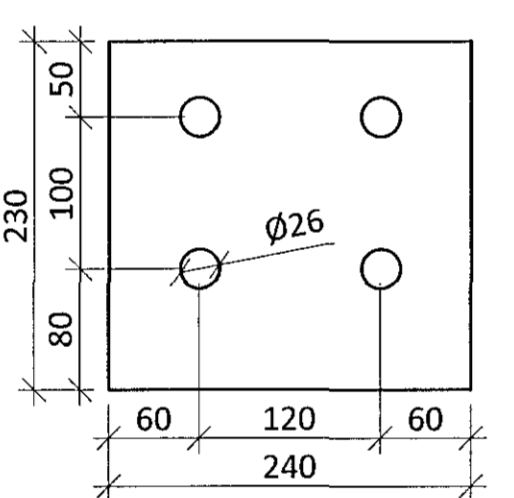
STEEL PLATE S012 - t=10mm



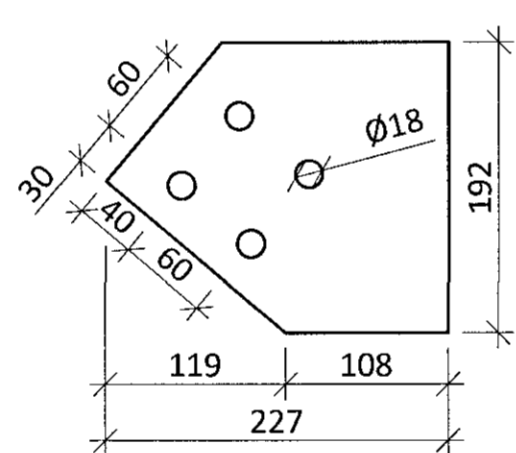
STEEL PLATE S013 - t=10mm



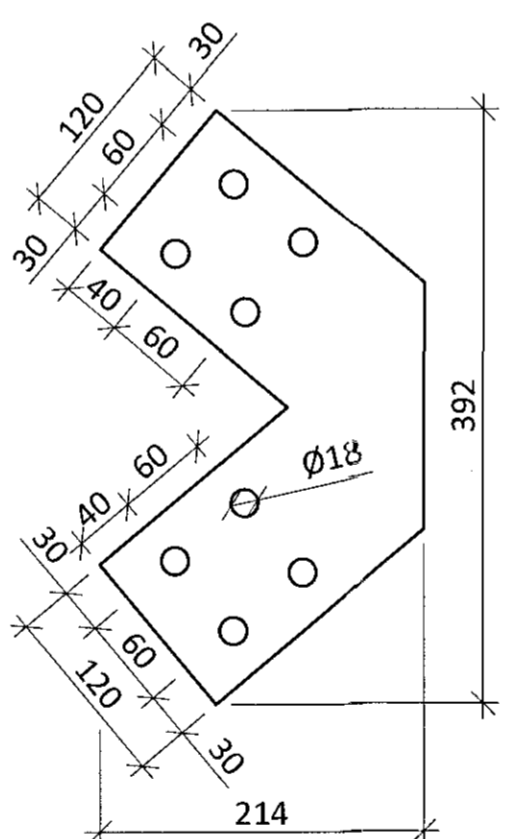
STEEL PLATE S014 - t=15mm



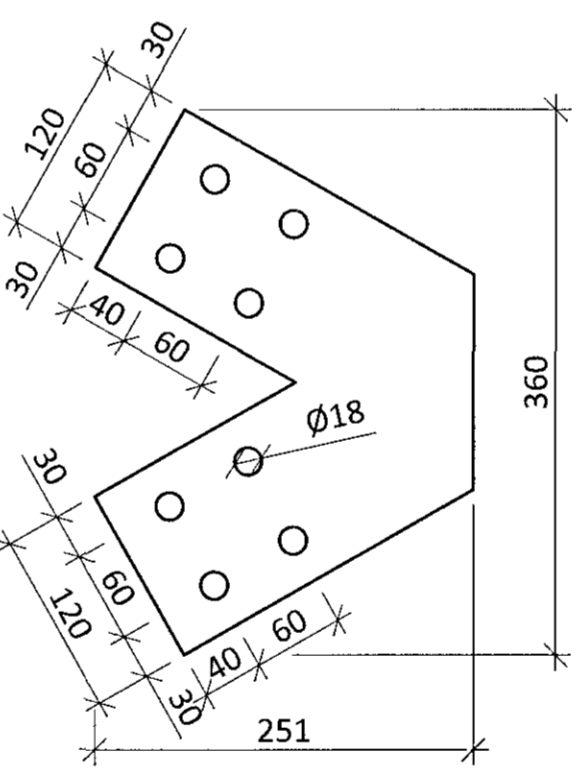
STEEL PLATE S015 - t=10mm



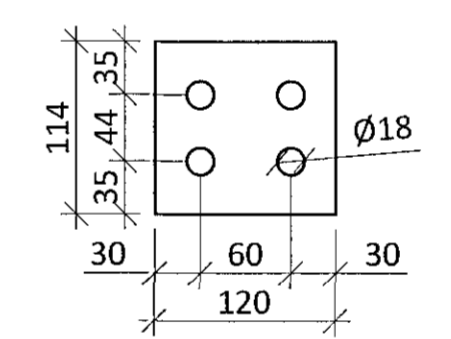
STEEL PLATE S016 - t=10mm



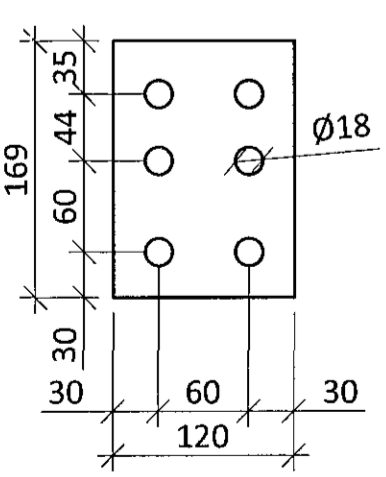
STEEL PLATE S017 - t=10mm



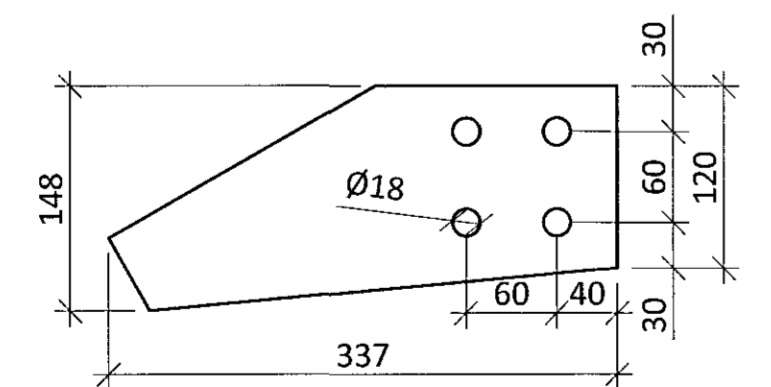
STEEL PLATE S018 - t=15mm



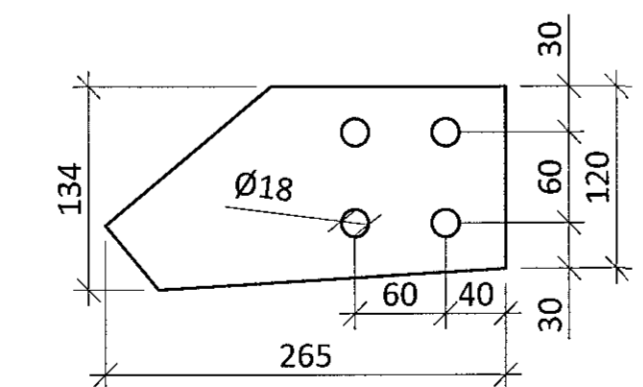
STEEL PLATE S019 - t=15mm



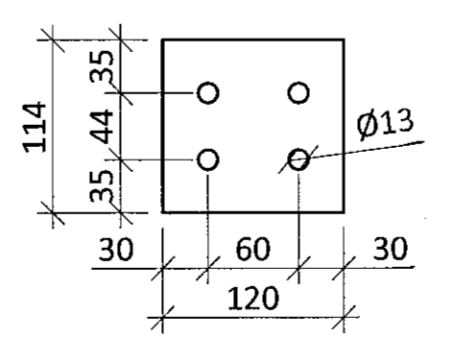
STEEL PLATE S020 - t=10mm



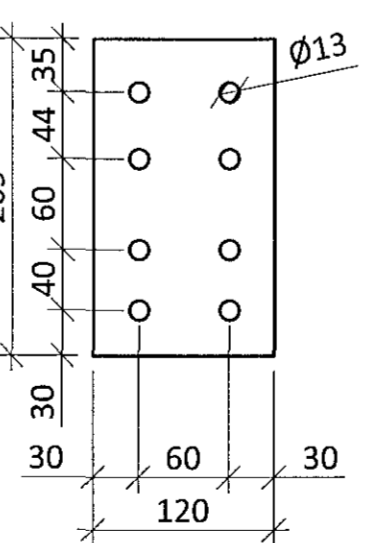
STEEL PLATE S021 - t=10mm



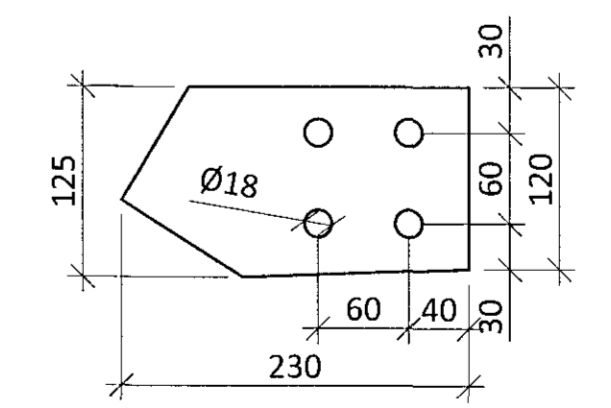
STEEL PLATE S022 - t=12mm



STEEL PLATE - t=12mm



STEEL PLATE S024 - t=10mm



ÁRITUN ADALHÖNNUNAR: *[Signature]* 27058448365

BR.	DAGS.	BREYTING



**FLATAHRAUN 13** HAFNARFJÖRÐUR  
 NÝBYGGING KRÖNUVERSLUN  
 STEEL STRUCTURE  
 CONNECTIONS PLATES

HÖNNUNUR	YFIREIÐ	DAGS. ÚTG.	DAGS. BREYT.
AK	HE	09.09.15	
MKV.	VERKNR.	TEIKN. NR.	BREYT.
1:5	14048	1 - 3350	