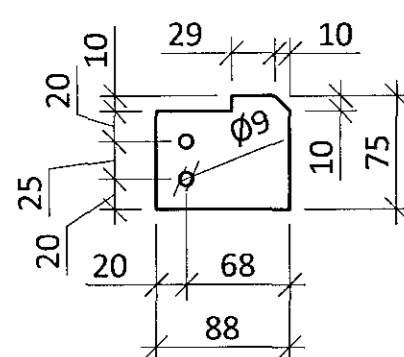
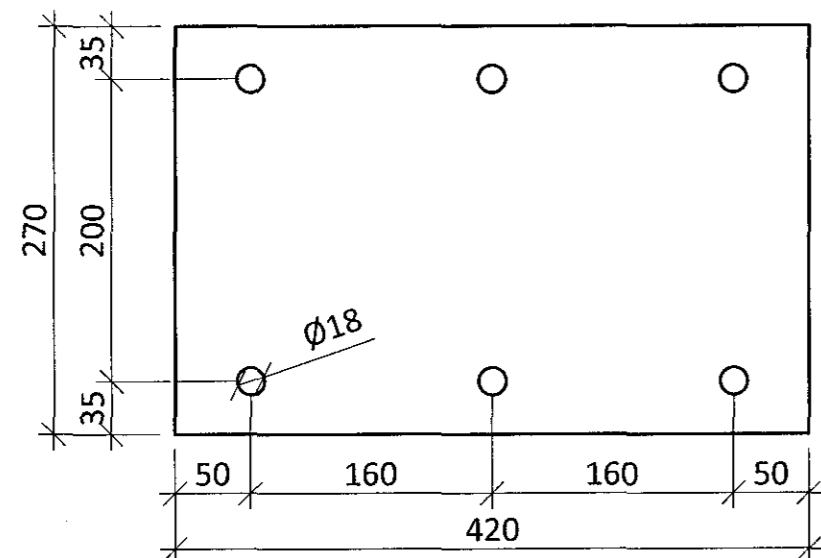


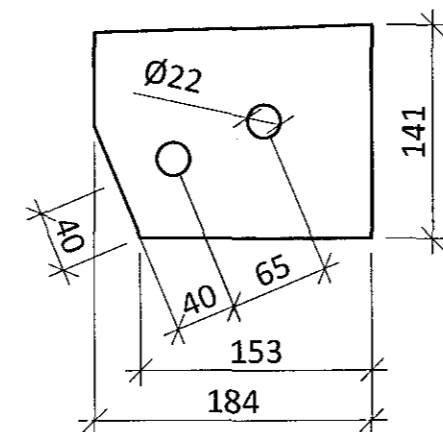
STEEL PLATE S049 - t=10mm



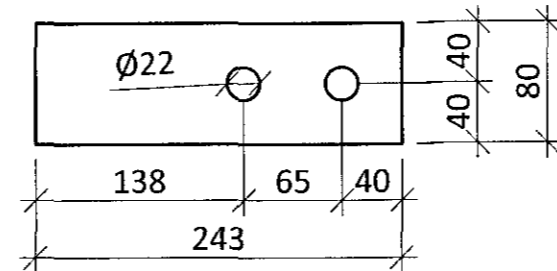
STEEL PLATE S050 - t=15mm



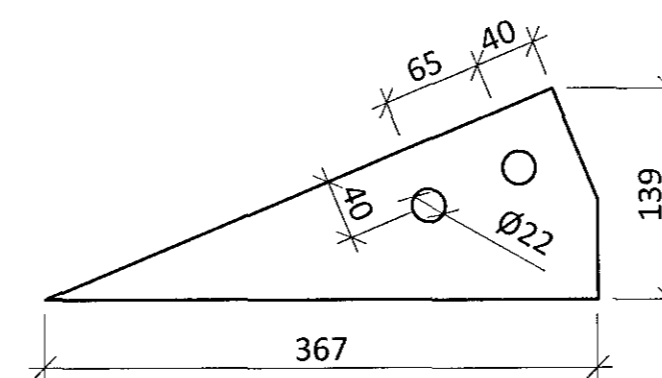
STEEL PLATE S051 - t=10mm



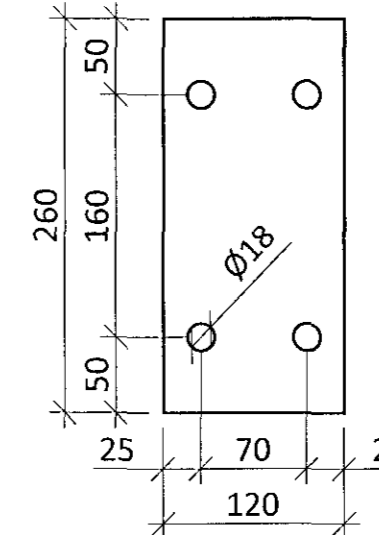
STEEL PLATE S052 - t=10mm



STEEL PLATE S053 - t=10mm



STEEL PLATE S054 - t=10mm

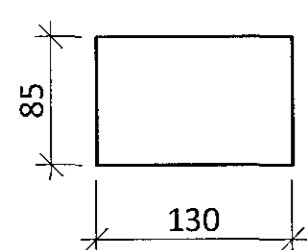


GENERAL NOTES FOR STEEL STRUCTURE:

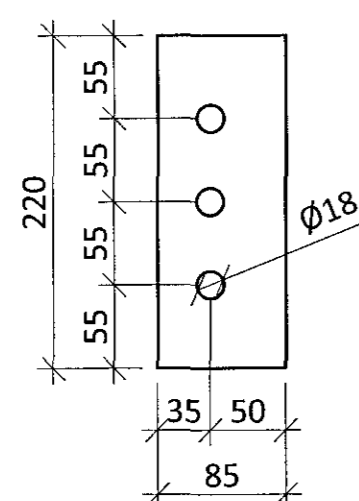
- SEE DRAWING 1-1100 FOR GENERAL NOTES
- SEE DRAWING 1-3301+ FOR CONNECTIONS

(001) (002)

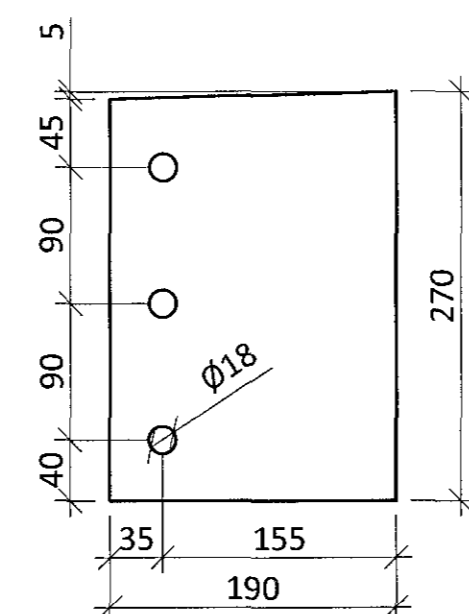
STEEL PLATE S055 - t=10mm



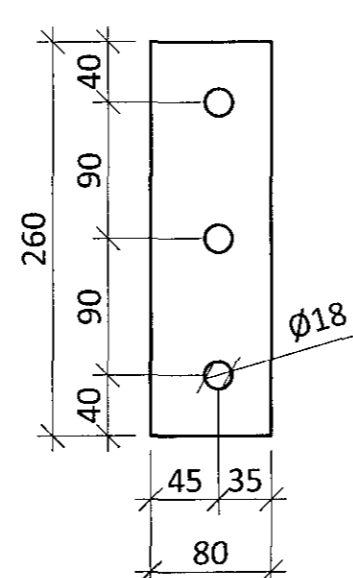
STEEL PLATE S056 - t=10mm



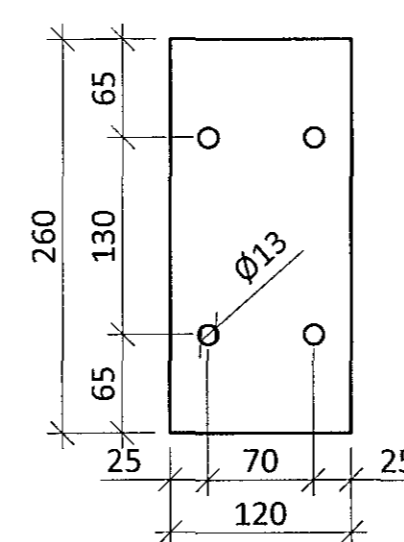
STEEL PLATE S057 - t=10mm



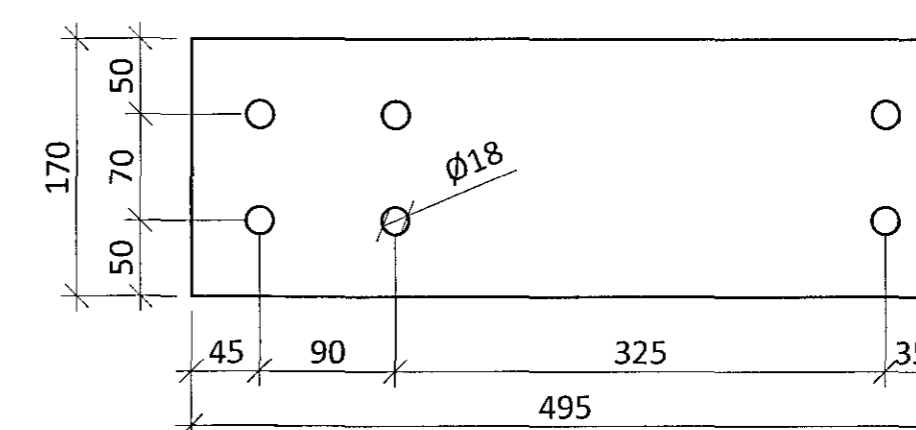
STEEL PLATE S058 - t=10mm



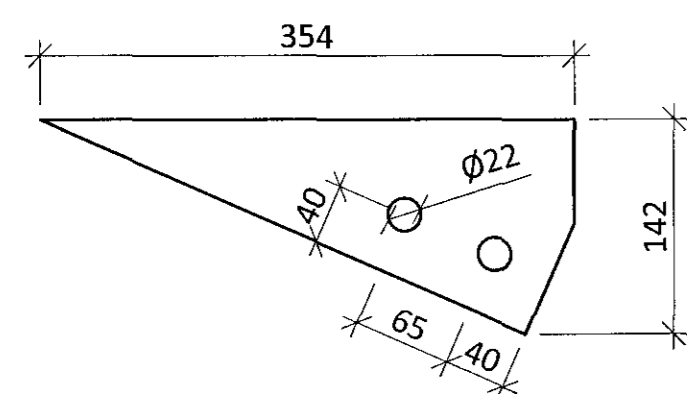
STEEL PLATE S059 - t=10mm



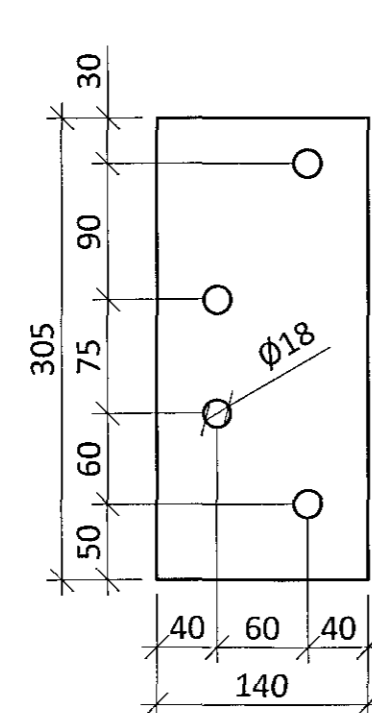
STEEL PLATE S060 - t=10mm



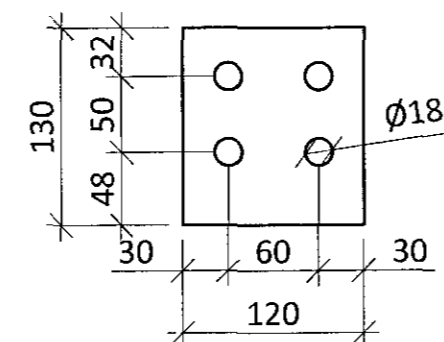
STEEL PLATE S061 - t=10mm



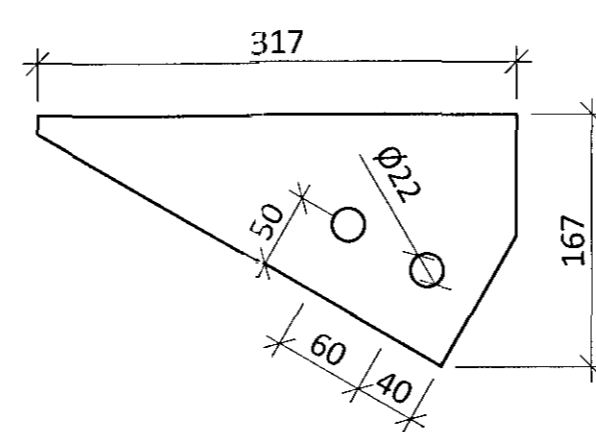
STEEL PLATE S062 - t=12mm



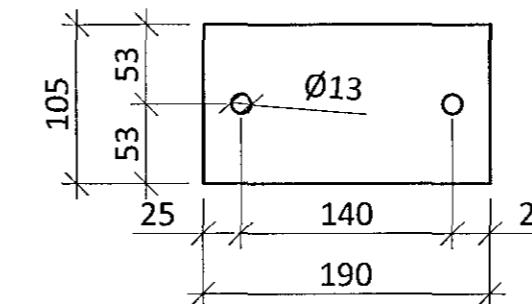
STEEL PLATE S063 - t=15mm



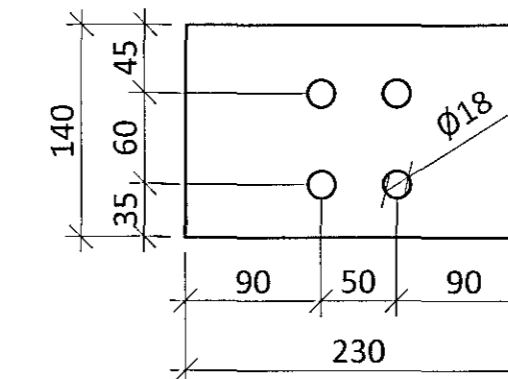
STEEL PLATE S064 - t=10mm



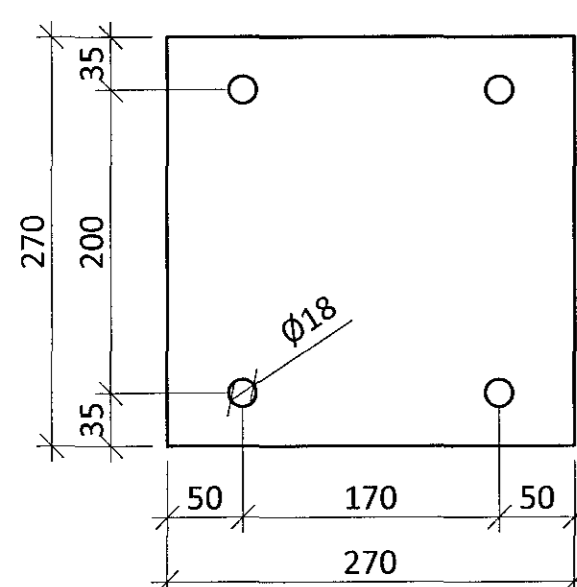
STEEL PLATE S065 - t=10mm



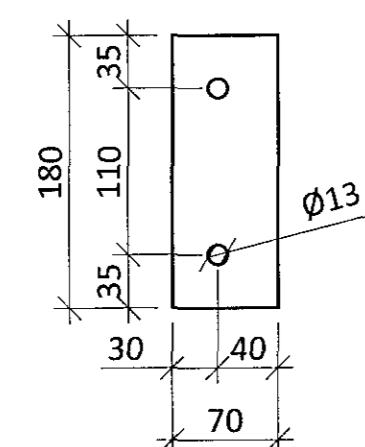
STEEL PLATE S066 - t=10mm



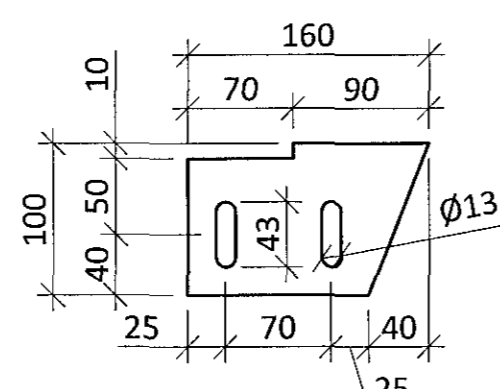
STEEL PLATE S067 - t=15mm



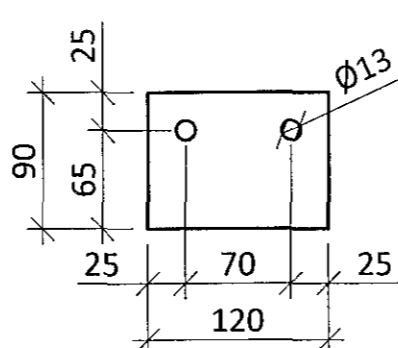
STEEL PLATE S068 - t=10mm



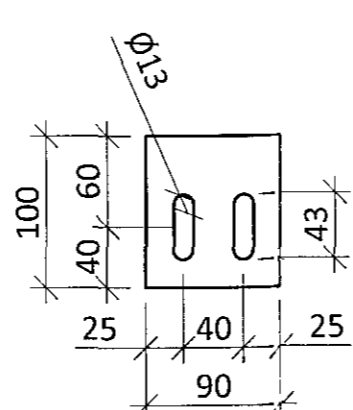
STEEL PLATE S069 - t=10mm



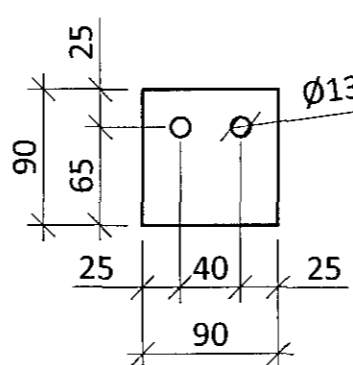
STEEL PLATE S070 - t=10mm



STEEL PLATE S071 - t=10mm



STEEL PLATE S072 - t=10mm



ARITUN ADALHÖNNUNAR
Mr. Jón 22.06.14 1767

BR.	DAGS.	BREYTING



FLATAHRAUN 13 HAFNARFJÖRDUR
NÝBYGGING KRÖNUVERSLUN
STEEL STRUCTURE
CONNECTIONS PLATES

HÖNNUNUR AK arngrimur@ferill.is	YFIRFARID HE	DAGS. UTG. 09.09.15	DAGS. BREYTT.
MKV. 1:5	VERANR. 14048	TEIKN. NR. 1 - 3352	BREYTT.