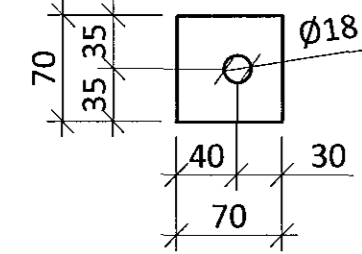
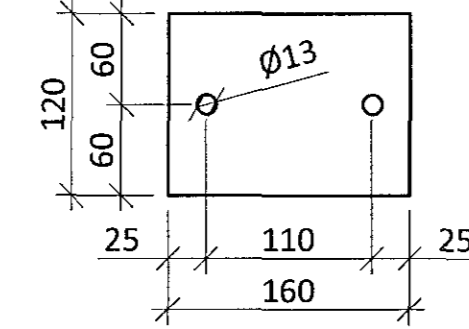


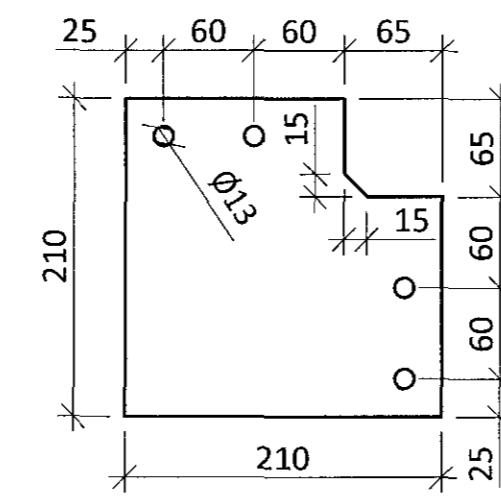
STEEL PLATE S075 - t=10mm



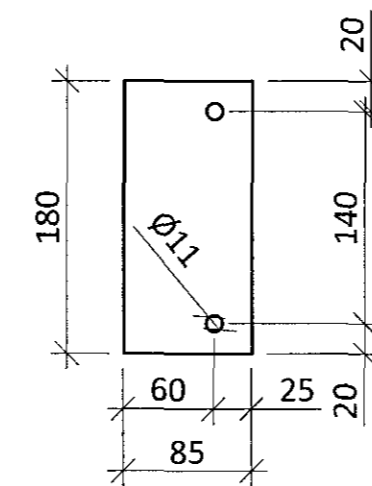
STEEL PLATE S076 - t=10mm



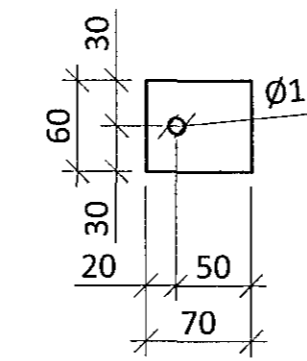
STEEL PLATE S077 - t=10mm



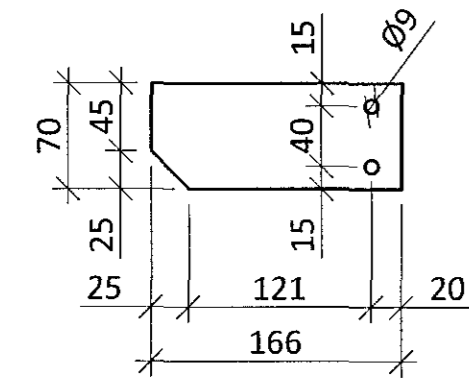
STEEL PLATE S078 - t=8mm



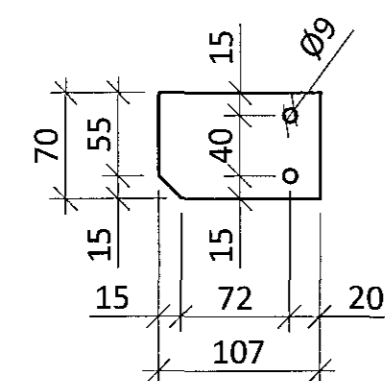
STEEL PLATE S079 - t=8mm



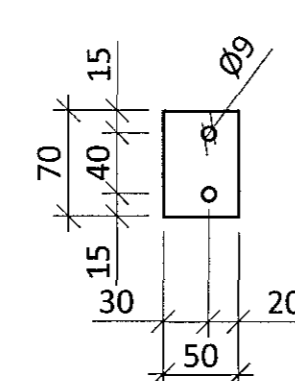
STEEL PLATE S080 - t=8mm



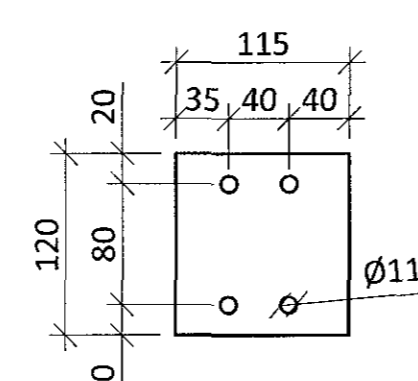
STEEL PLATE S081 - t=8mm



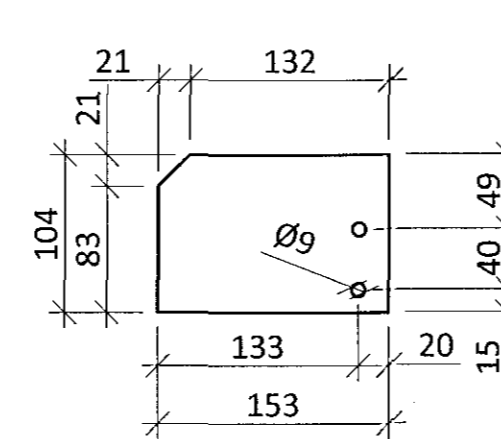
STEEL PLATE S082 - t=8mm



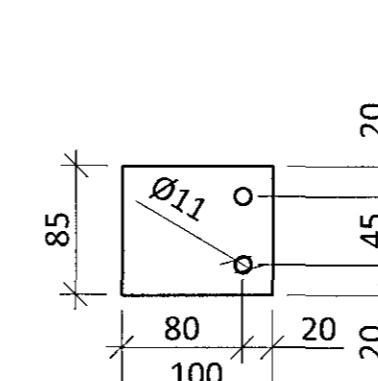
STEEL PLATE S083 - t=8mm



STEEL PLATE S084 - t=8mm



STEEL PLATE S085 - t=8mm



GENERAL NOTES FOR STEEL STRUCTURE:

- SEE DRAWING 1-1100 FOR GENERAL NOTES
- SEE DRAWING 1-3301+ FOR CONNECTIONS

001, 002,

ÁRITUN ABALHJÓNDUÐAR: *[Signature]* KT. 27-0564-03.67

BR.	DAGS.	BREYTING



FLATAHRAUN 13 HAFNARFJÖRDUR
 NÝBYGGING KRÖNUVERSLUN
 STEEL STRUCTURE
 CONNECTIONS PLATES

SAMPYKKT: <i>[Signature]</i> KT. 070970-4149			
HÖNNUÐUR	YFIRFARID	DAGS. ÚTG.	DAGS. BREYTT.
AK	arrgrimur@ferill.is	HE	09.09.15
MKV:	VERKNR.	TEIKN. NR.	BREYTT.
1:5	14048	1 - 3353	