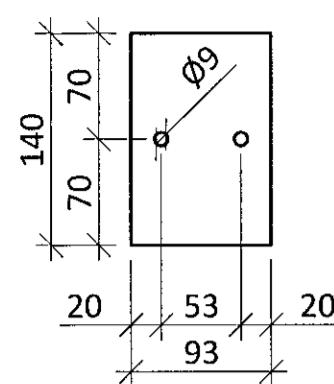
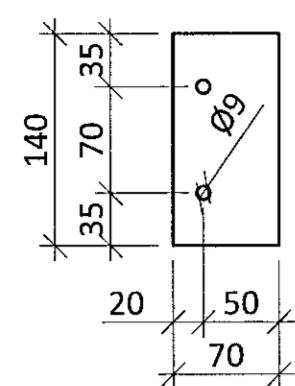


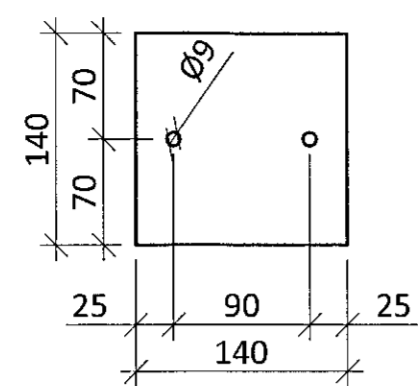
STEEL PLATE S100 - t=10mm



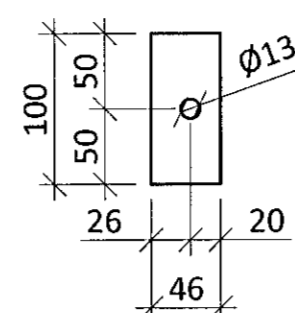
STEEL PLATE S101 - t=10mm



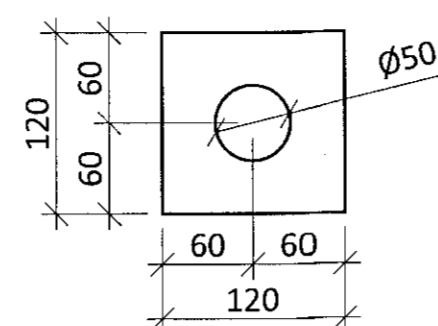
STEEL PLATE S102 - t=10mm



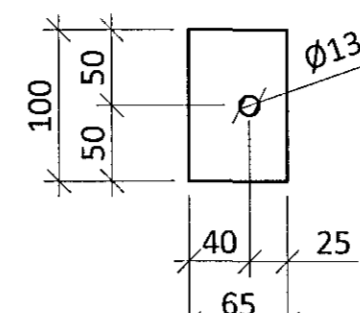
STEEL PLATE S103 - t=8mm



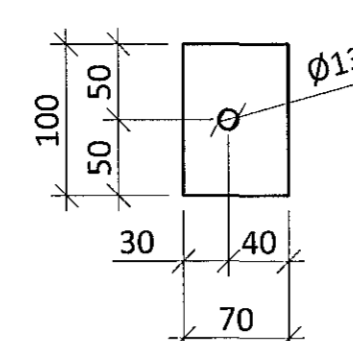
STEEL PLATE S104 - t=10mm



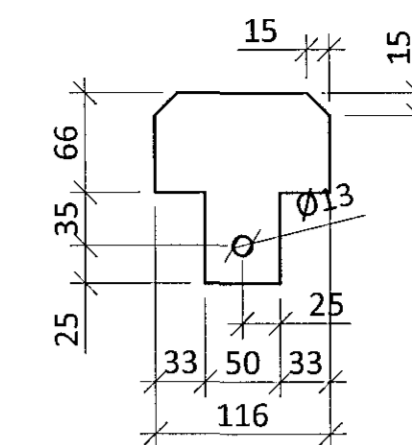
STEEL PLATE S105 - t=8mm



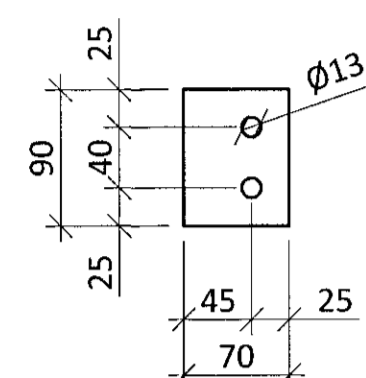
STEEL PLATE S106 - t=8mm



STEEL PLATE S107 - t=8mm



STEEL PLATE S108 - t=8mm



ARITUN BYGGINGARFULLTRÚA

Sampykkt þann,
28 SEP 2015
Byggingafræðisinn i Hafnarfjörð
F.h. Sigurður Steinar Jónsson

GENERAL NOTES FOR STEEL STRUCTURE:

- SEE DRAWING 1-1100 FOR GENERAL NOTES
- SEE DRAWING 1-3301+ FOR CONNECTIONS

(001), (002)

ARITUN ADALHÖNDUR: 22.09.2015

BR. DAGS. BREYTING



FLATAHRAUN 13 HAFNARFJÖRDUR
NÝBYGGING KRÓNUVERSLUN
STEEL STRUCTURE
CONNECTIONS PLATES

SAMPYKKT HÖNDUR AK	YIRFARID arngrimur@ferill.is	VERKFRÆÐINGUR HE	DAGS. ÚTG. 09.09.15	DAGS. BREYTING
MKV. 1:5	VERKNR. 14048	TEIKN. NR. 1 - 3360	BREYTING 	