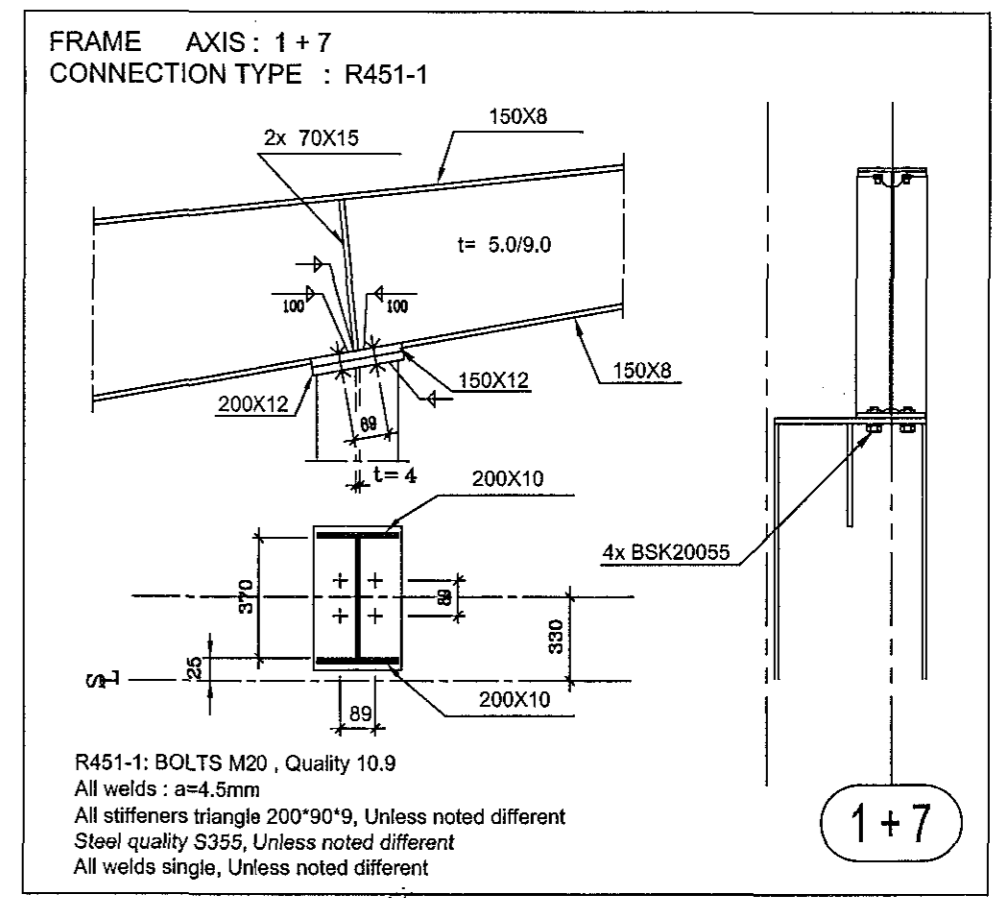
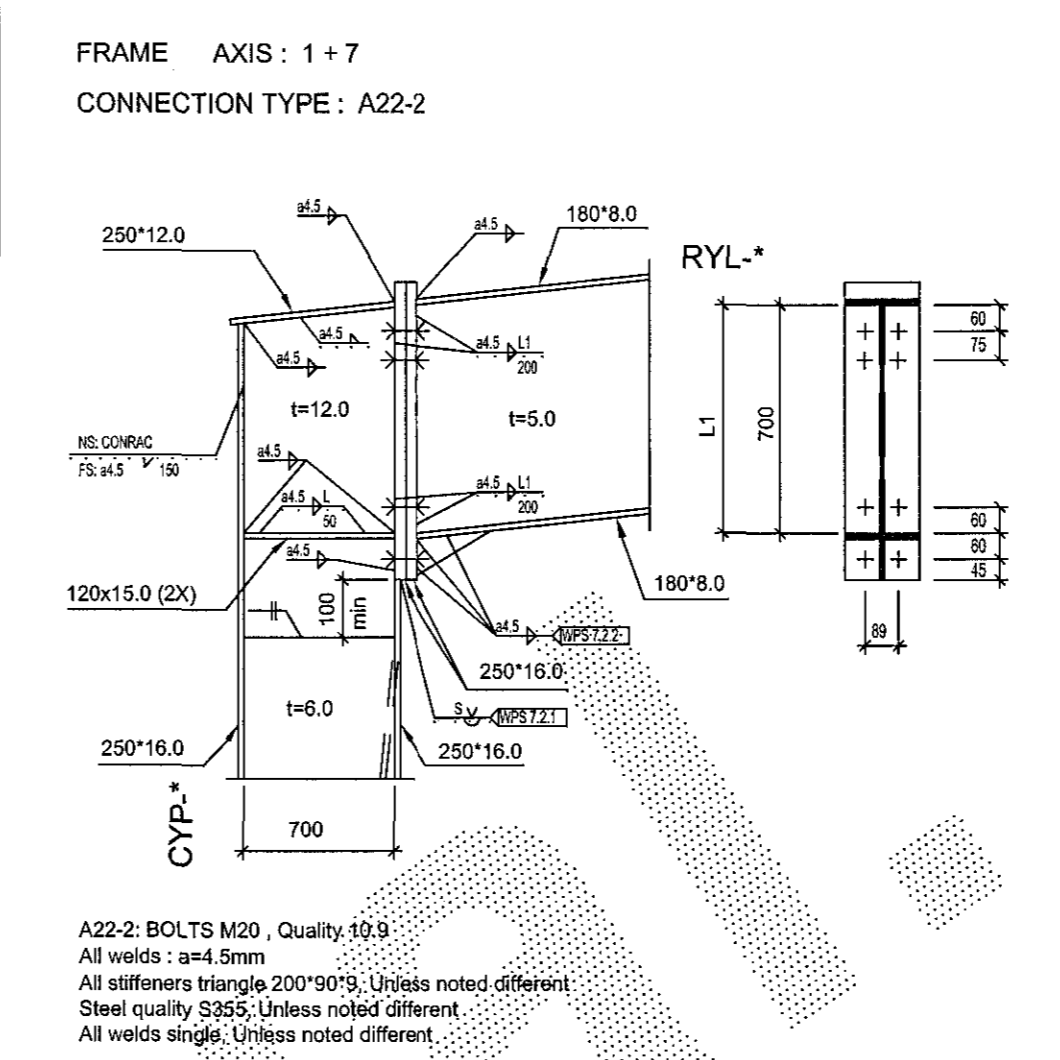
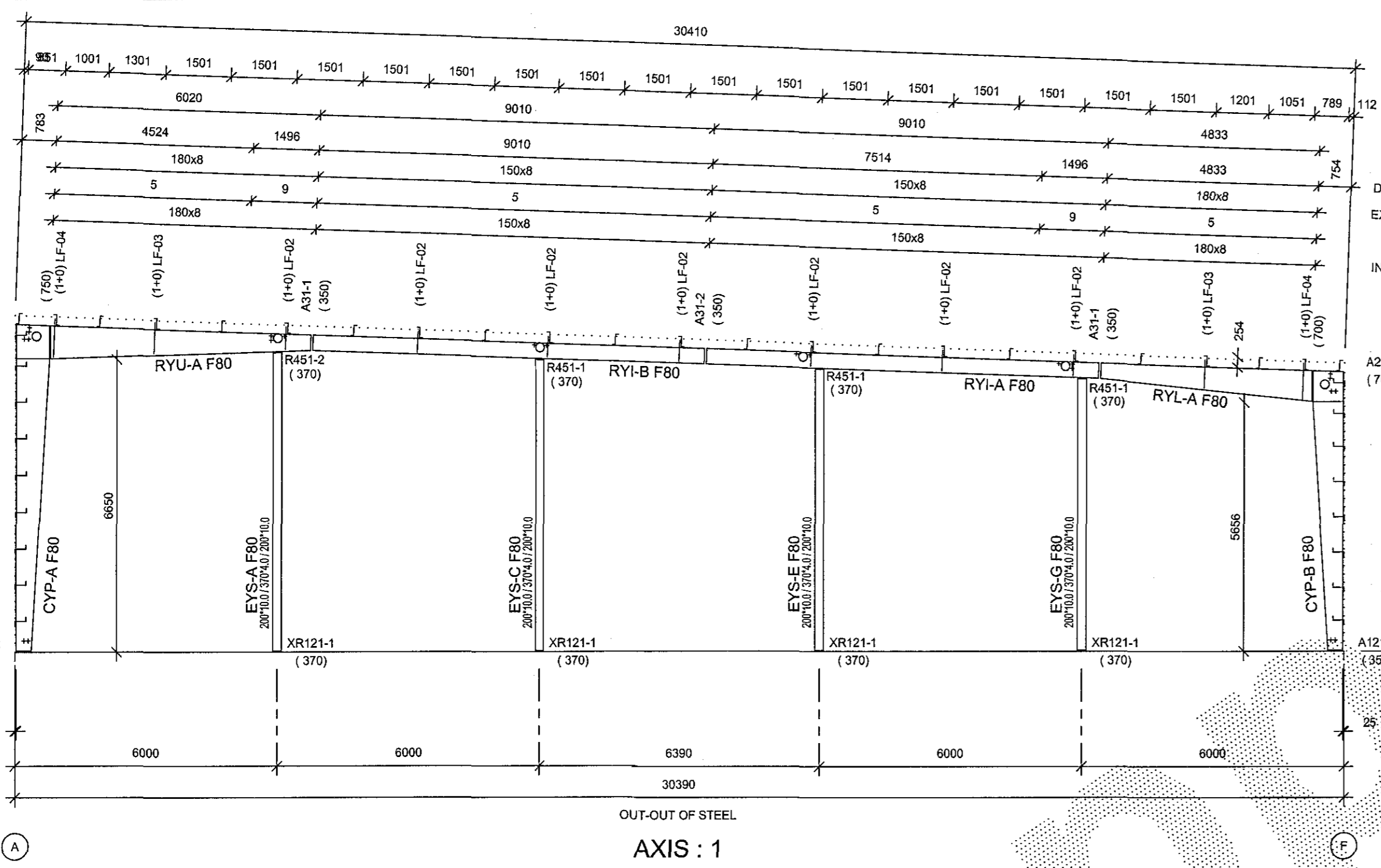


CONNECTION	BOLT	QTY
A22-1	BSK20075	0,4 - 2,2
A22-2	BSK20065	0,4 - 2,2
A31-1	BSK20065	0,2 - 2,0
A31-2	BSK20065	2,2 - 2,2
R451-1	BSK20055	0,2 - 2,0
R451-2	BSK20055	0,2 - 2,0

BSK = EN14399 / 20075 = M 20 x 75

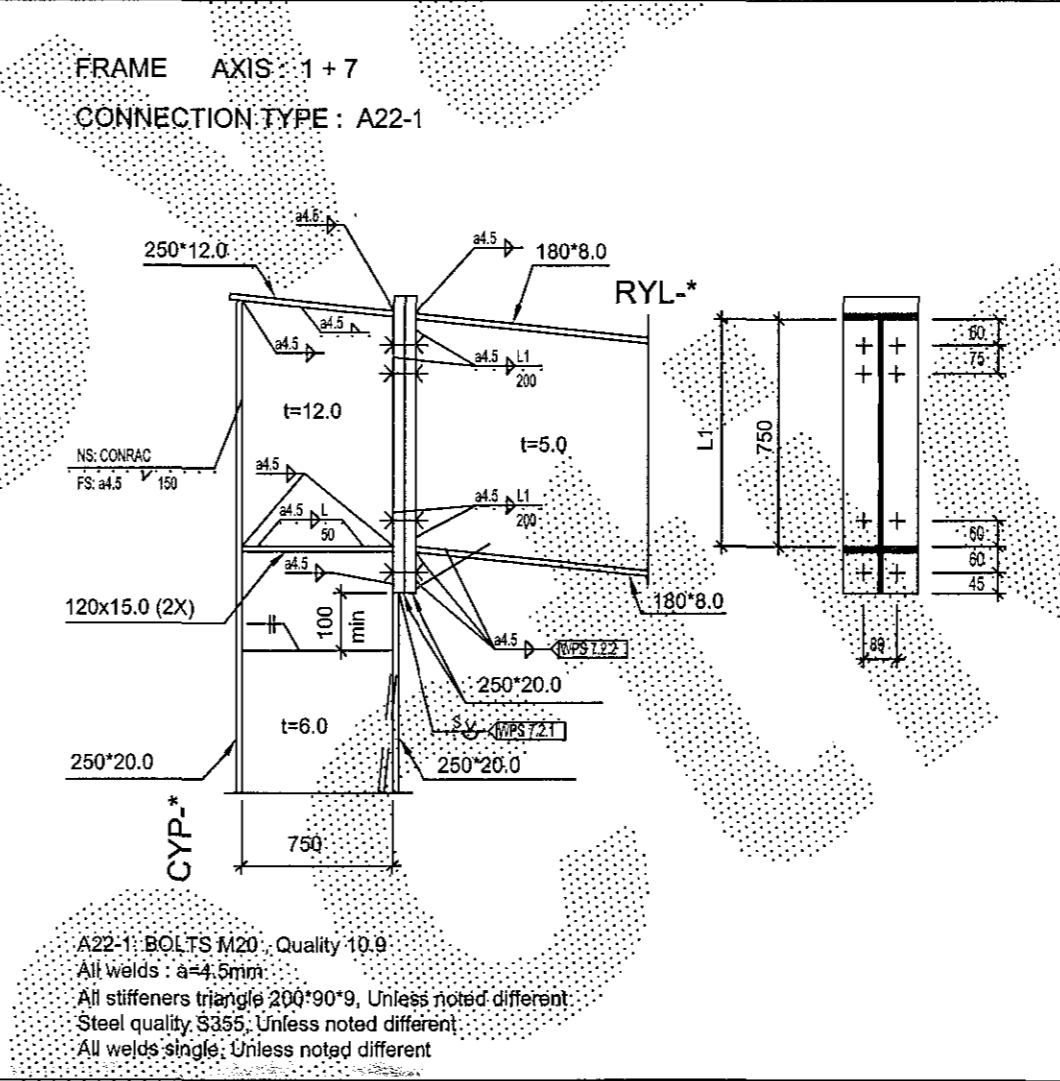
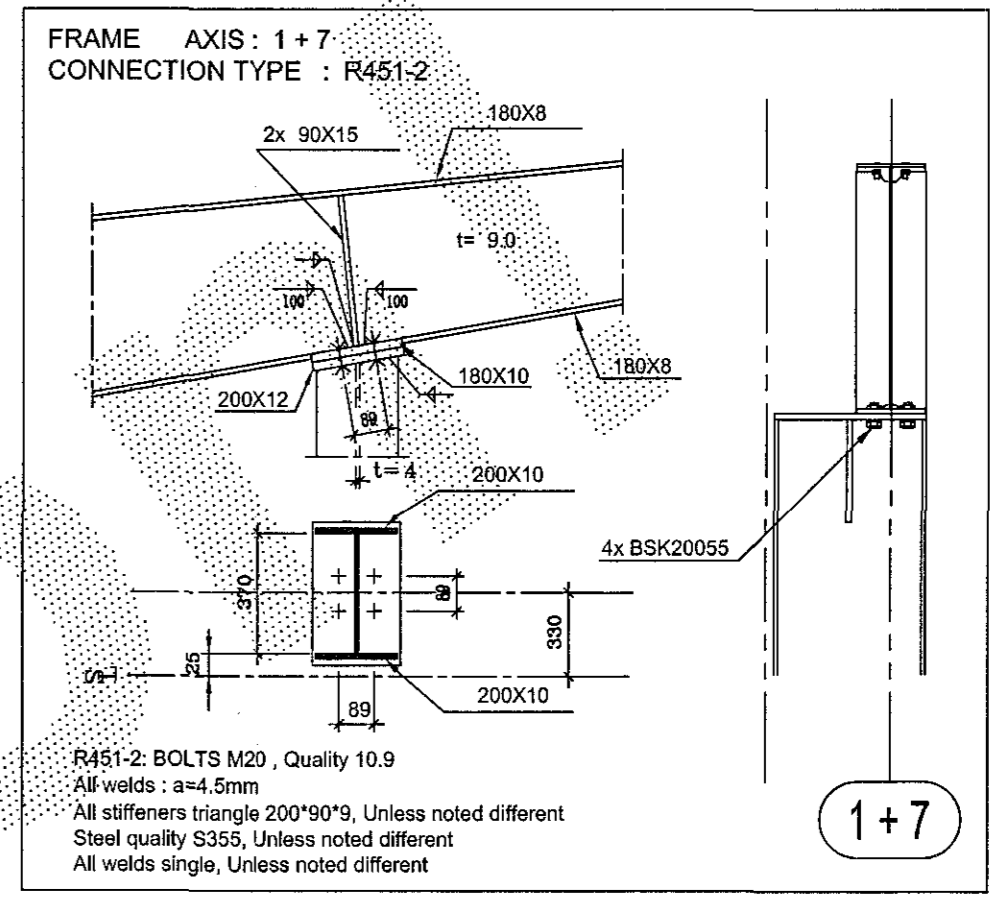


Unless noted different:
All BSK bolts must be installed with 'TORQUE CONTROL' method, with the following torque values:

TORQUE VALUES (Nm)	
10.9 bolts	
M20	450
M22	650
M24	800
M27	1250
M30	1650

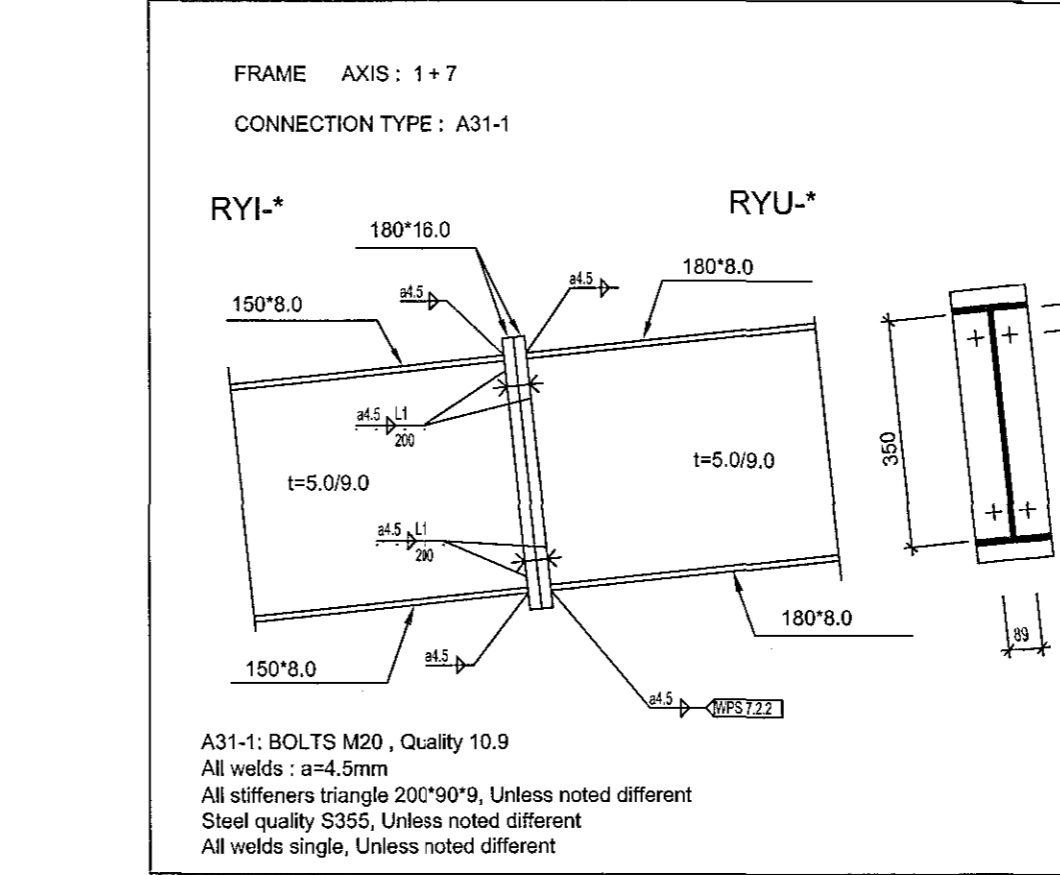
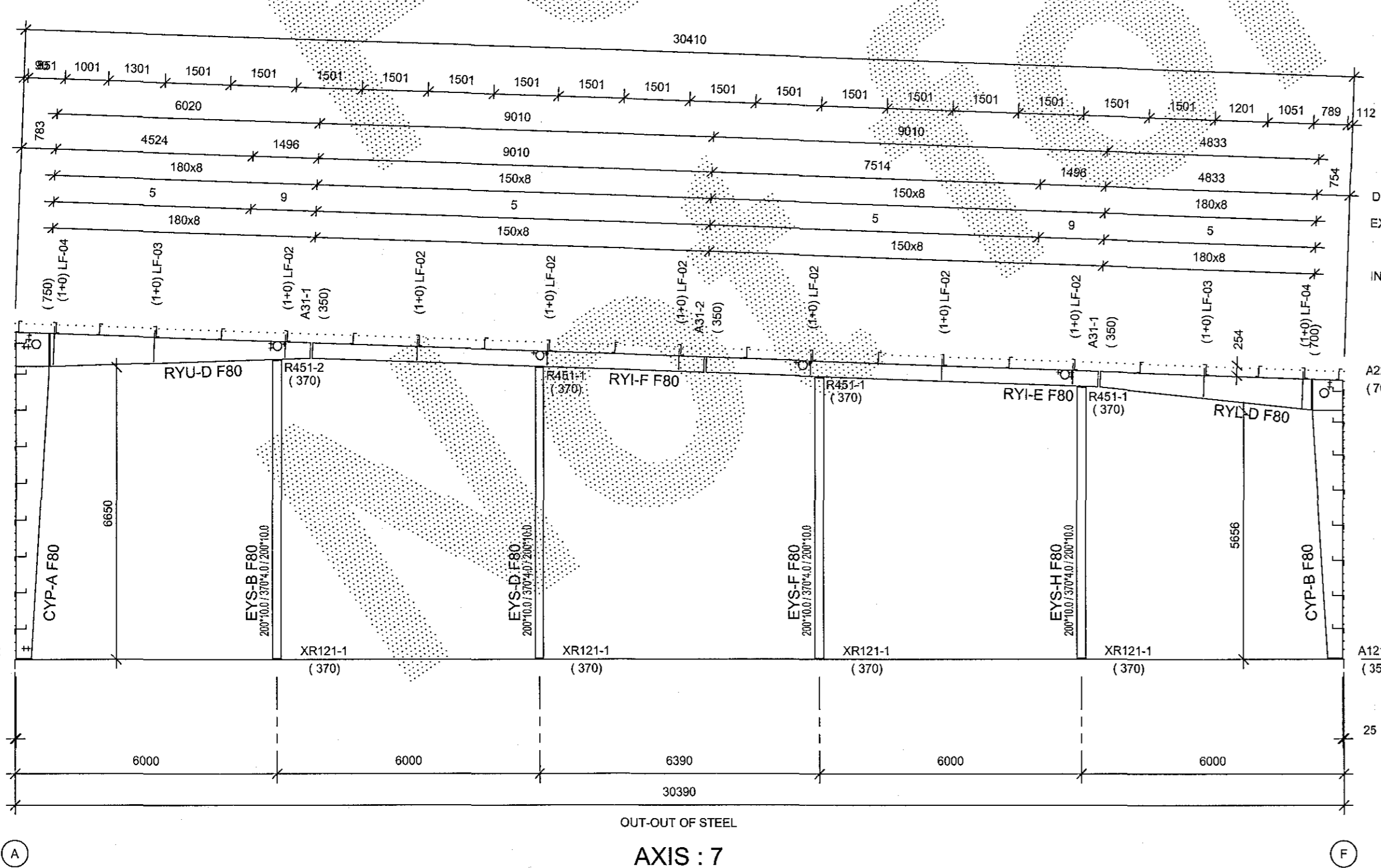
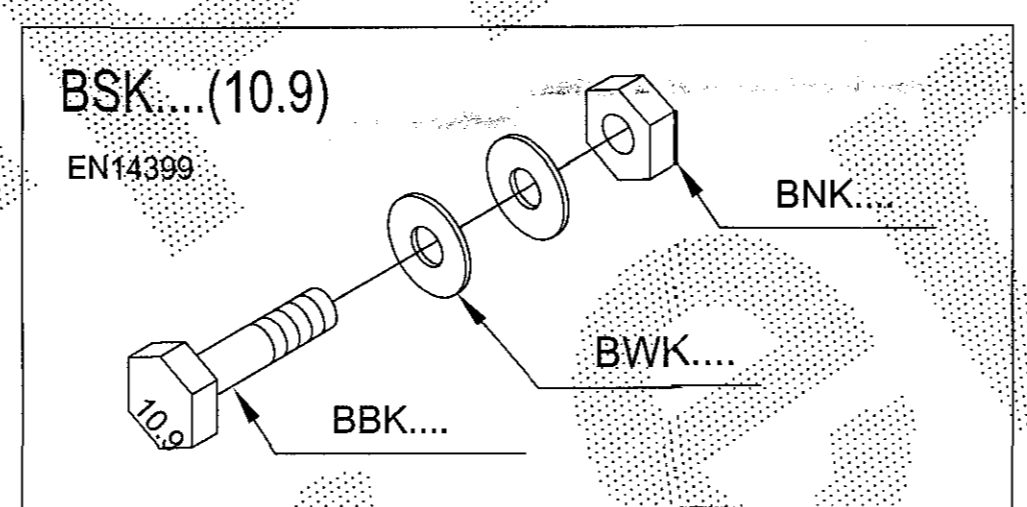
All other must be installed 'SNUG TIGHT'

Smíðingartími
17 NOV 2015
Byggingafulltrúinn í Hafnarfirði
F.h. Sigurður Steinar Jónsson



CONNECTION	BOLT	QTY
A22-1	BSK20075	0,4 - 2,2
A22-2	BSK20065	0,4 - 2,2
A31-1	BSK20065	0,2 - 2,0
A31-2	BSK20065	2,2 - 2,2
R451-1	BSK20055	0,2 - 2,0
R451-2	BSK20055	0,2 - 2,0

BSK = EN14399 / 20075 = M 20 x 75



STD PROFILES DESCRIPTION LIST	NSTD PROFILES DESCRIPTION LIST
LF-: FLANGE BRACING 54'54'3.0	

TECHNICAL NOTES

General

- Drawings must be read in conjunction with Lindab Buildings Technical M
- Building components must be erected in accordance with erection information supplied by Lindab Buildings and all applicable local codes and standards.
- All measurements are in millimetres
- ' = Field adapted
- # = Typical detail - Unless noted different
- Purlin spacings are rounded to mm and cannot be added

Foundations and Anchor Bolts

- Foundations must be designed by a qualified foundation engineer (more details on AB-layout)
- Applicable columns reactions see chart "Foundation Reactions"

Primary and Secondary Structural Framing

- Flange bracing installation as per technical manual (TM) standard detail W1 - chapter
- Unless noted different:
 - Purlin diaphragms - at peak (see TM W316, W326, W327)
 - Double purlins (see TM W311, W321)
 - Wind bracing details, see TM chapter W2.
 - Roof stabilization if necessary:
 - Purlins spacers (HS... see TM details W37, and W 38.)
 - Sag rods (RSG) see TM W... and cross-section.
 - Tie straps (HC 00250) see TM W7... chapter.

Panels and Accessories

- Field locate roof openings and accessories
- Field cut and adapt girts and panels shown in overlap with an accessory element
- Compensation of panel tolerance currently during installation

26.10.2015
HÚS OG RÁÐGJÖF ehf.
ARKITEKTUR- OG VERKFRÆÐISSTOFA
K.L.SÍÐUR, 2229 - Vá. 7760
Dagurvangur 17, 104 Reykjavík
Sími 562-2420 - Fax 562-2434
Hilgi Q. Samuelsson

0704622299
Jónas Jónsson
22.10.2015

DET: 2T12A A121 A22 A31 R451 W112 W117 XR121

PROJ:	B/D:
Selheils 9 - 220 Hafnarfjörður - Ísland	HEGAS

170805

DATE: 29/09/15
ENG.: W.Allmann
DRAF: Kanal Zoltan

ASTRON
LINDAB BUILDINGS S.A. - P.O.Box152 - L-9202 DIEKIRCH-LUXEMBOURG - Tel:+352 80 29 11 - Fax:+352 80 34 66