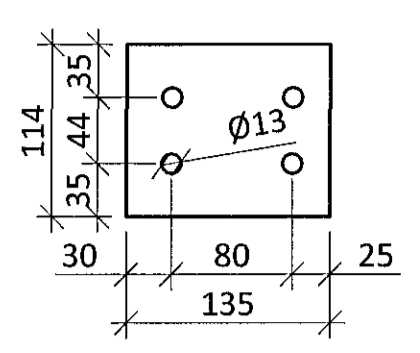
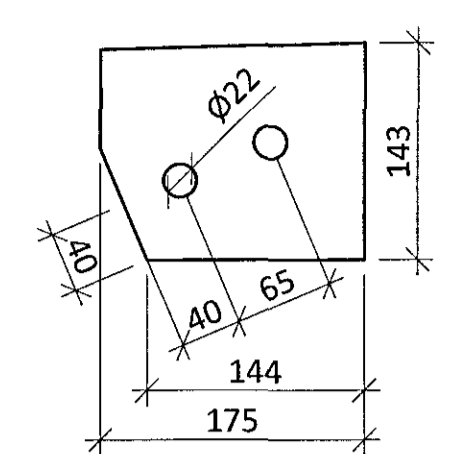


GENERAL NOTES FOR STEEL STRUCTURE:  
• SEE DRAWING 1-1100 FOR GENERAL NOTES  
• SEE DRAWING 1-3301+ FOR CONNECTIONS  
(001) (002) .....

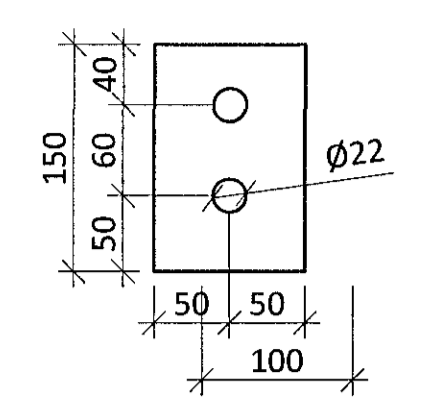
STEEL PLATE S025 - t=12mm



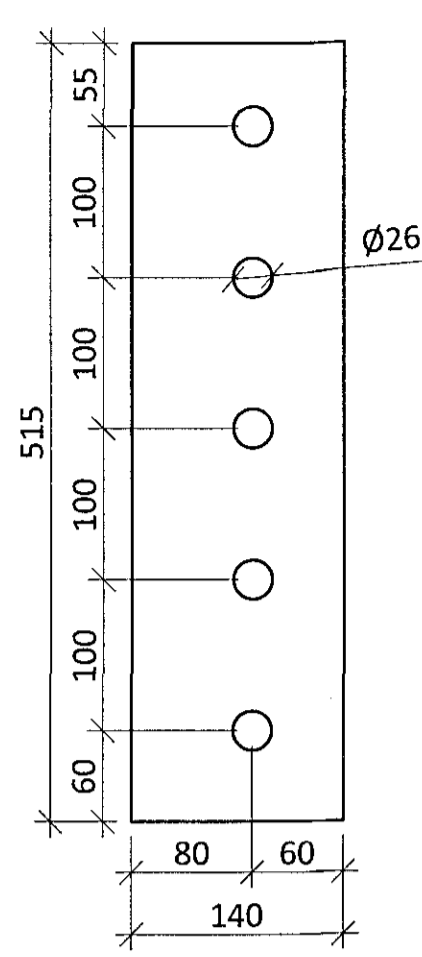
STEEL PLATE S026 - t=10mm



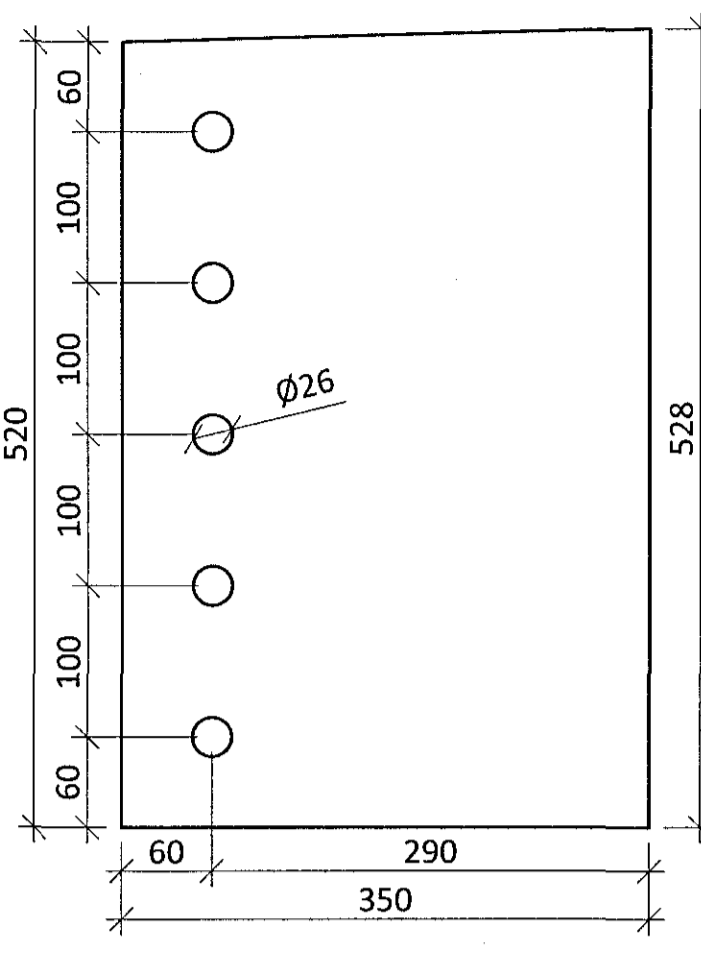
STEEL PLATE S027 - t=10mm



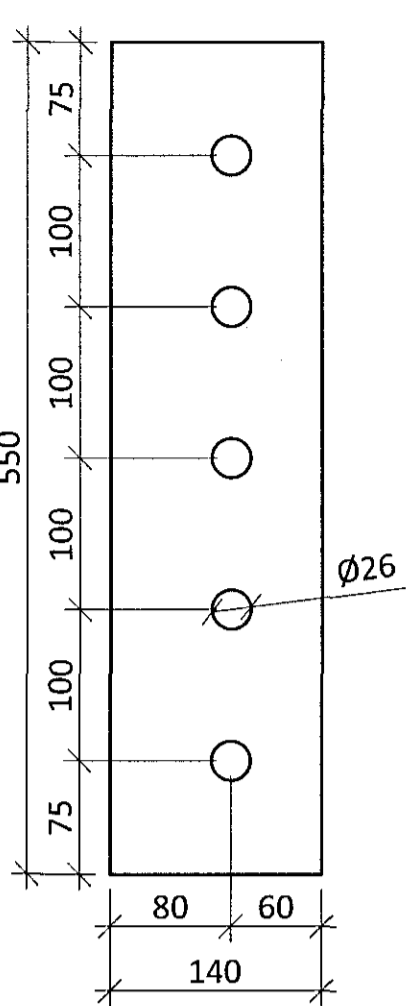
STEEL PLATE S028 - t=15mm



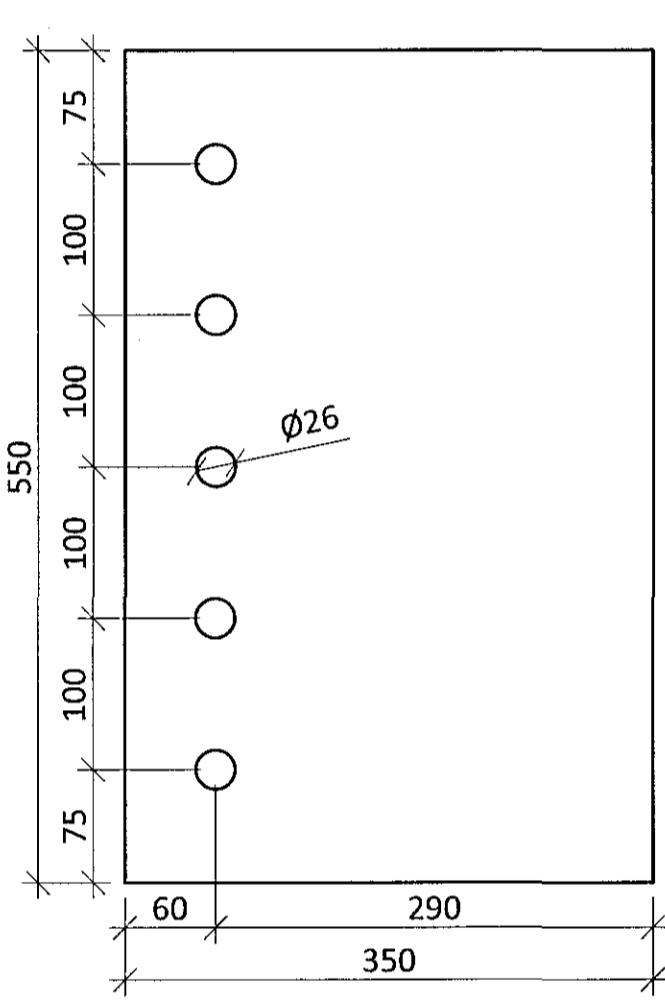
STEEL PLATE S029 - t=15mm



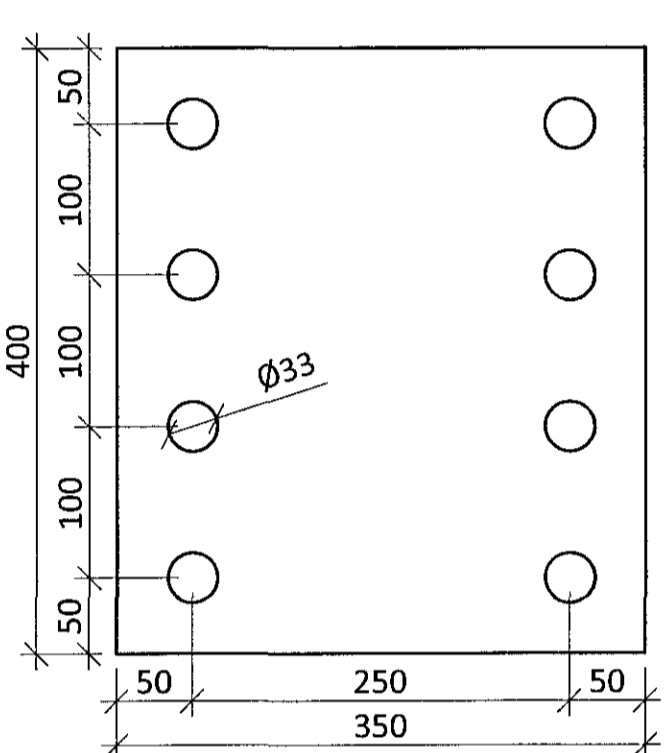
STEEL PLATE S030 - t=15mm



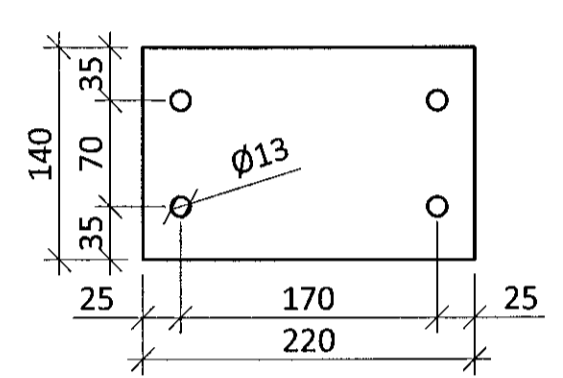
STEEL PLATE S031 - t=15mm



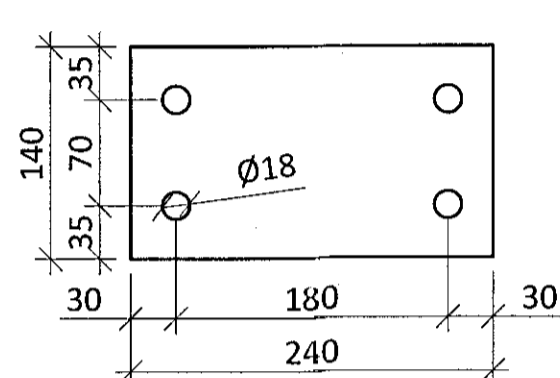
STEEL PLATE S032 - t=30mm



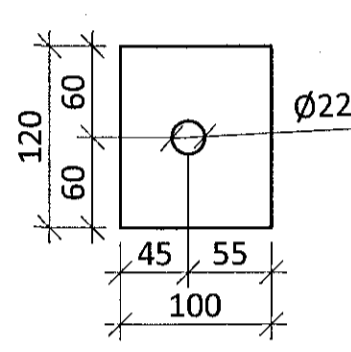
STEEL PLATE S033 - t=12mm



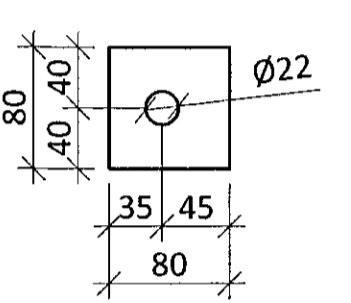
STEEL PLATE S034 - t=12mm



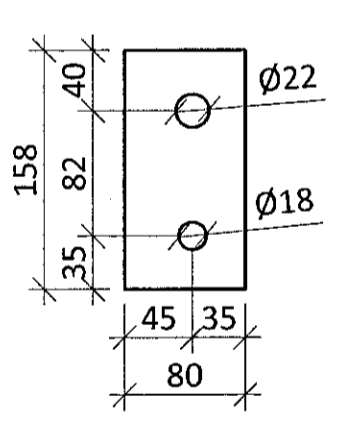
STEEL PLATE S035 - t=10mm



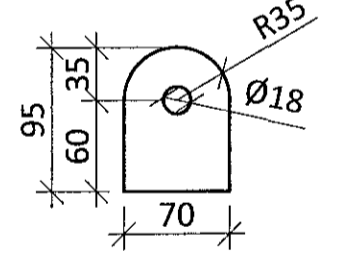
STEEL PLATE S036 - t=10mm



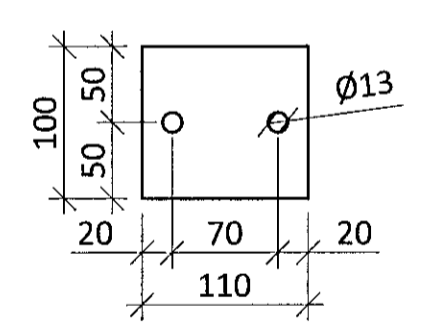
STEEL PLATE S037 - t=10mm



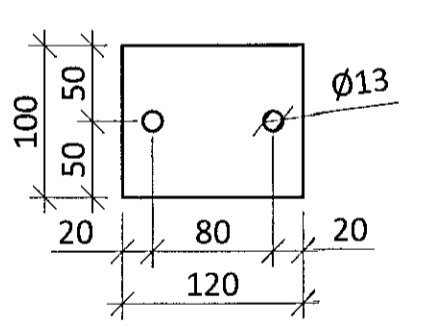
STEEL PLATE S038 - t=10mm



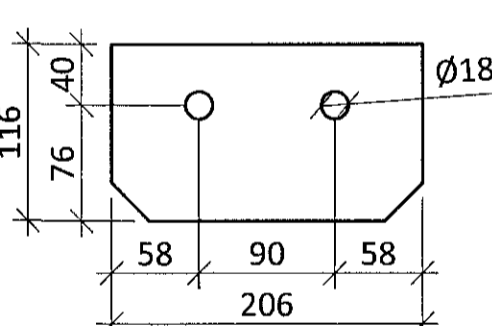
STEEL PLATE S039 - t=10mm



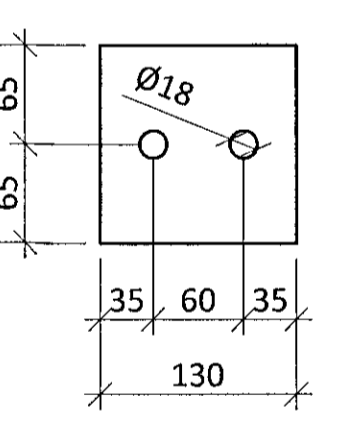
STEEL PLATE S040 - t=10mm



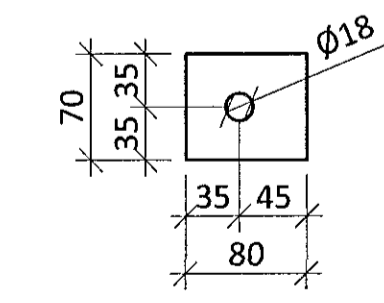
STEEL PLATE S041 - t=10mm



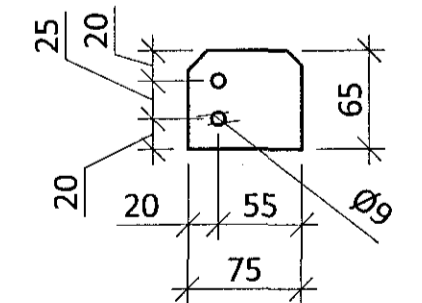
STEEL PLATE S042 - t=10mm



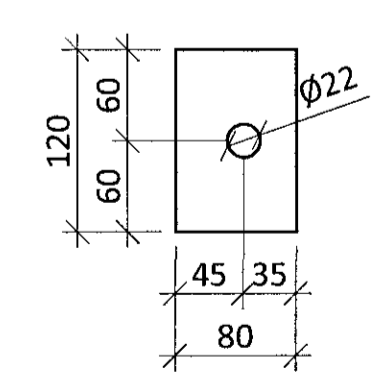
STEEL PLATE S043 - t=10mm



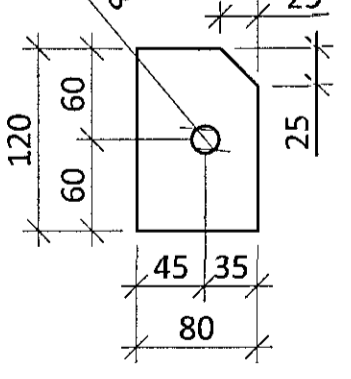
STEEL PLATE S044 - t=10mm



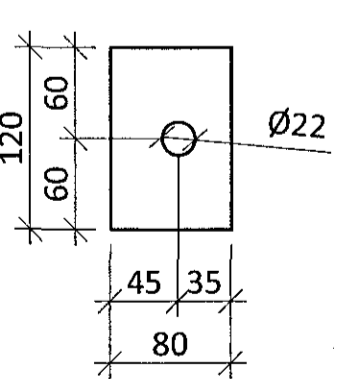
STEEL PLATE S045 - t=10mm



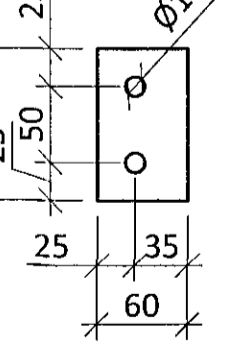
STEEL PLATE S046 - t=10mm



STEEL PLATE S047 - t=10mm



STEEL PLATE S048 - t=10mm



ÁRITUN ARÁTTÖNNUDAR: Kt. 220564-4369

Table with 2 columns: BR., DAGS. Breyting. Row 1: A 05.01.16 STÁLPLÖTUR S035 OG S045 UPPE/ERDAR



FLATAHRAUN 13 HAFNARFJÖRDUR  
NÝBYGGING KRÖNUVERSLUN  
STEEL STRUCTURE CONNECTIONS PLATES

Table with 4 columns: SAMÞYKKT, HÖNNUÐUR, MKV., 1:5. Row 1: AK arngrimur@ferill.is, VERKNR. 14048, 1 - 3351, A