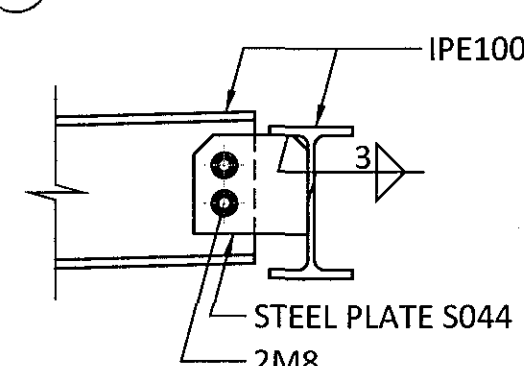


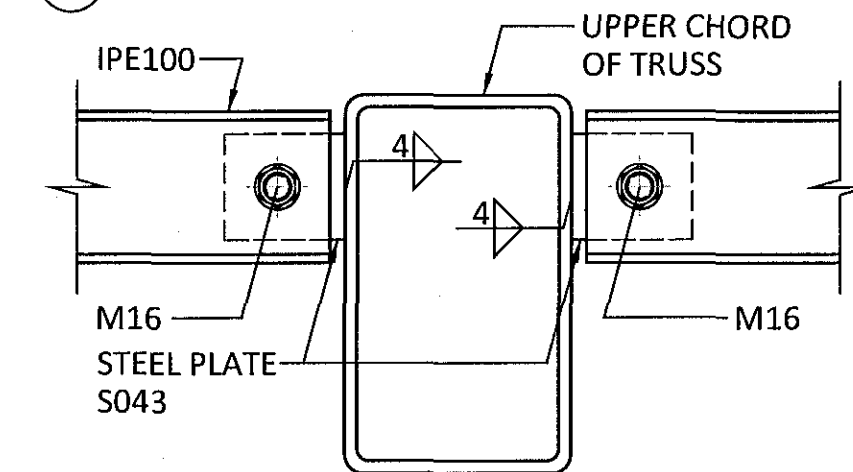
GENERAL NOTES FOR STEEL STRUCTURE:

- SEE DRAWING 1-1100 FOR GENERAL NOTES
- SEE DRAWING 1-3350+ FOR STEEL PLATES

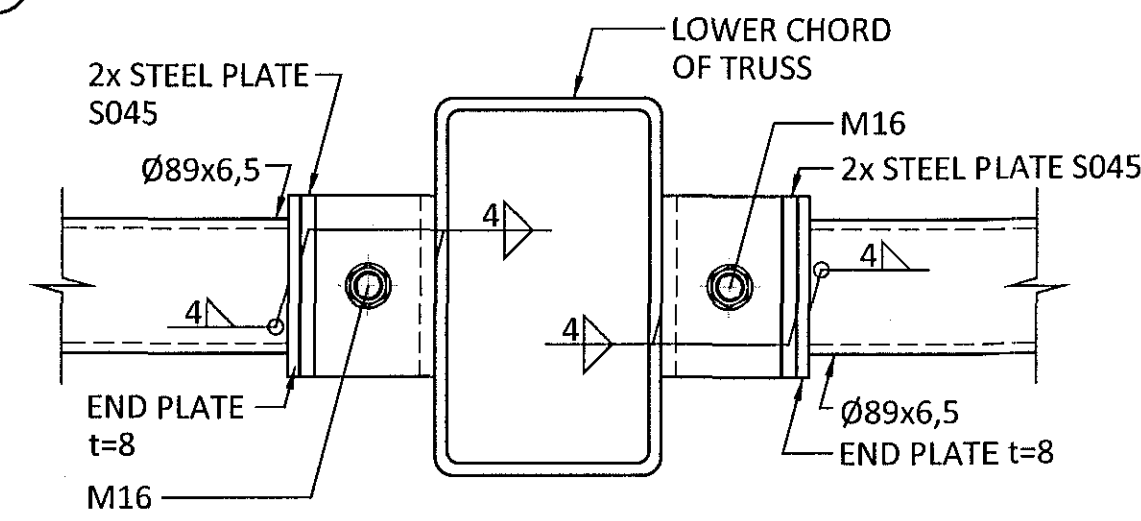
040 SCALE 1:5



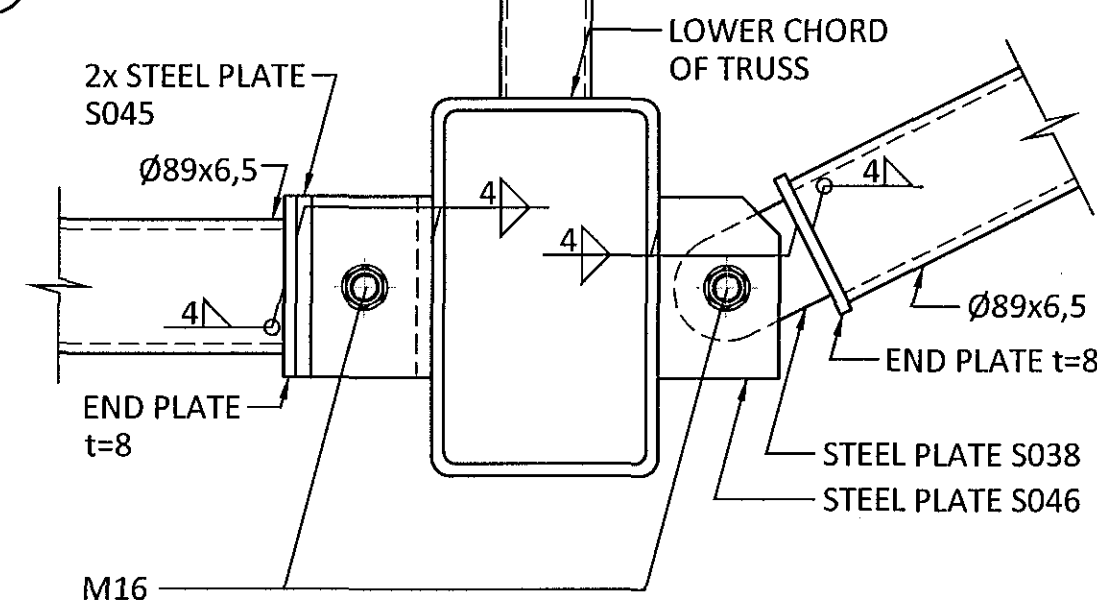
041 SCALE 1:5



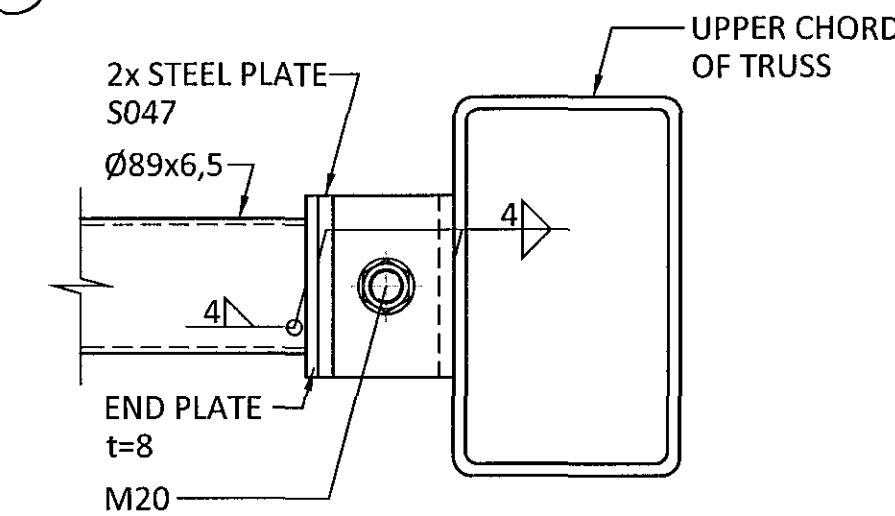
042 SCALE 1:5



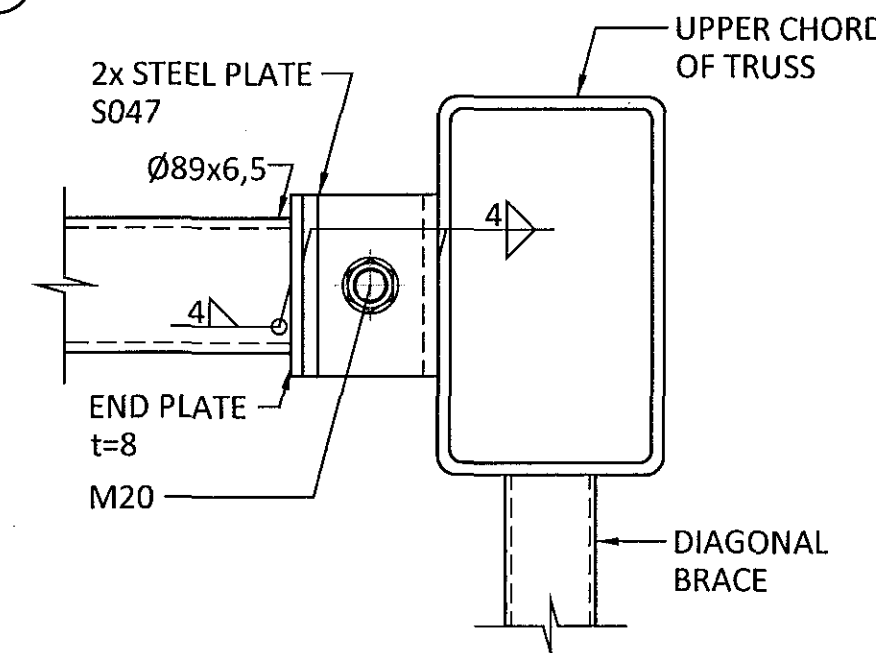
043 SCALE 1:5



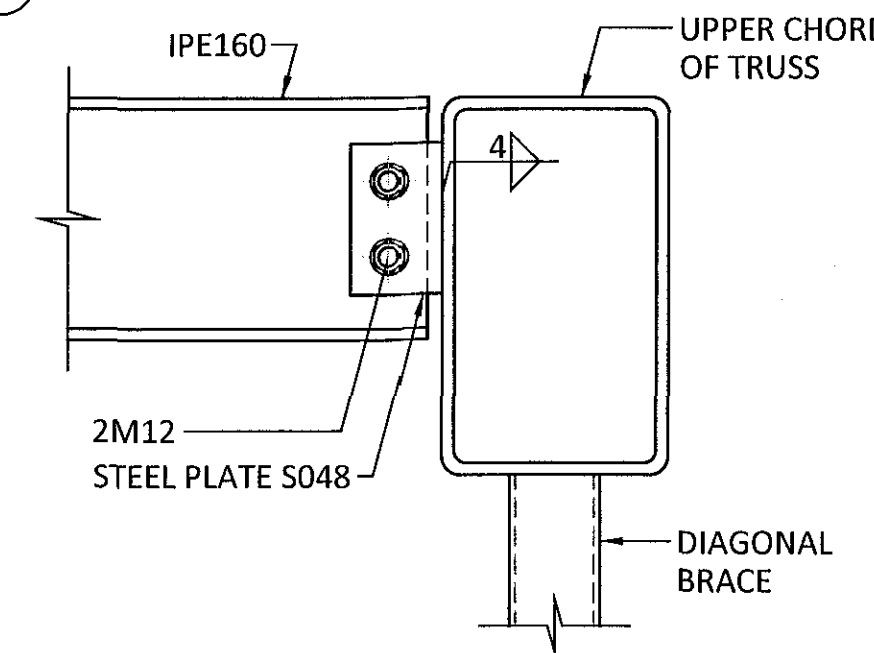
044 SCALE 1:5



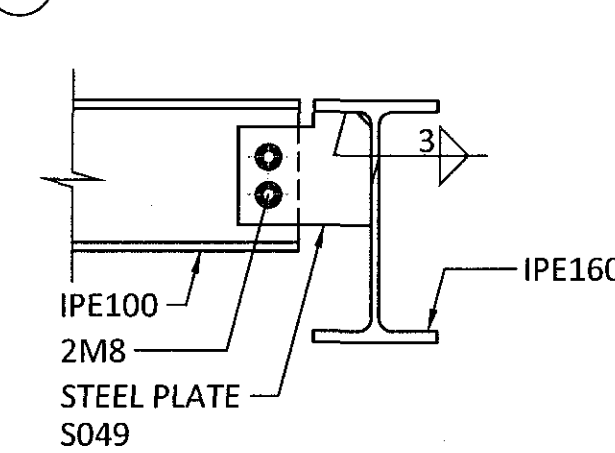
045 SCALE 1:5



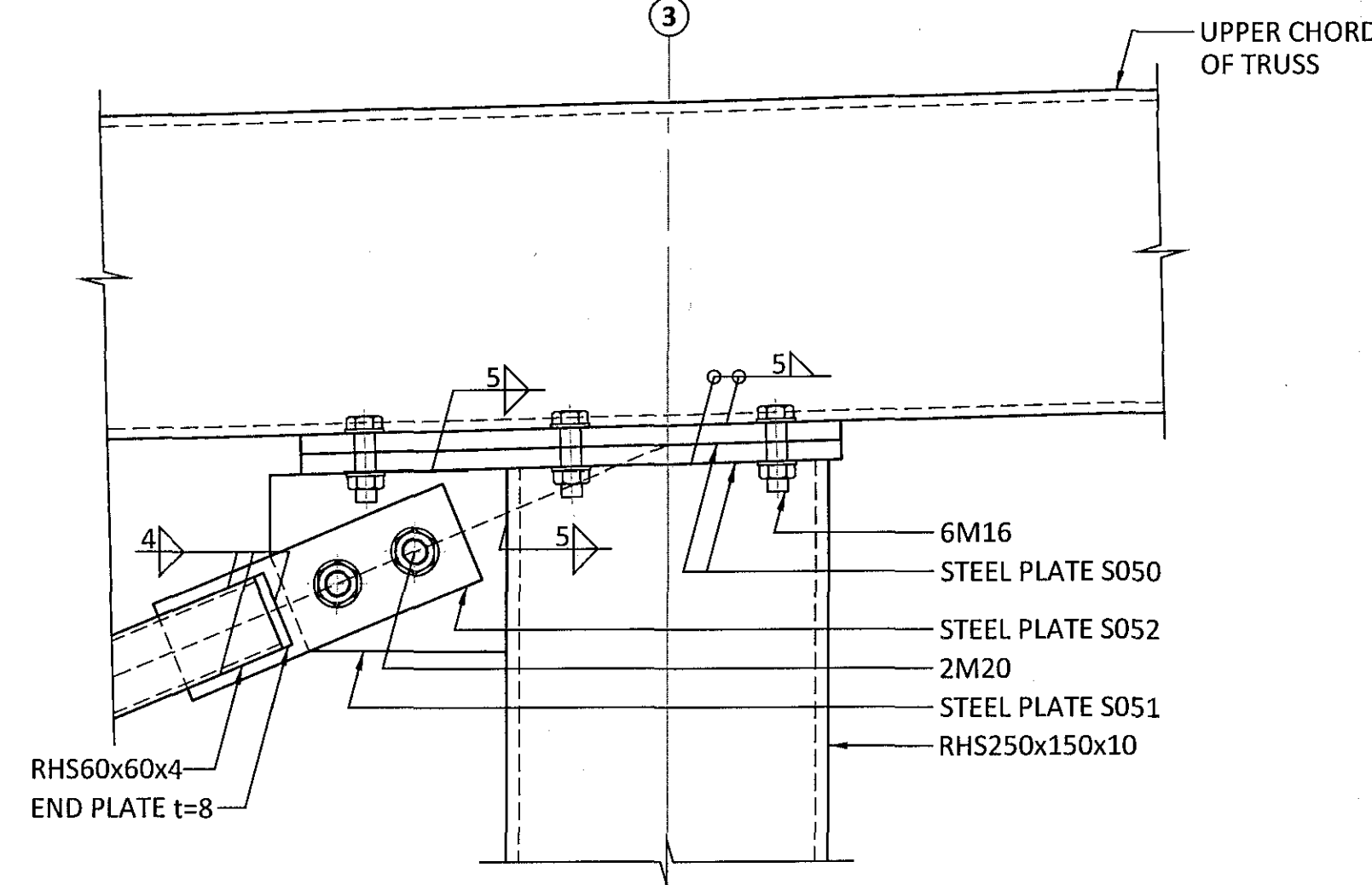
046 SCALE 1:5



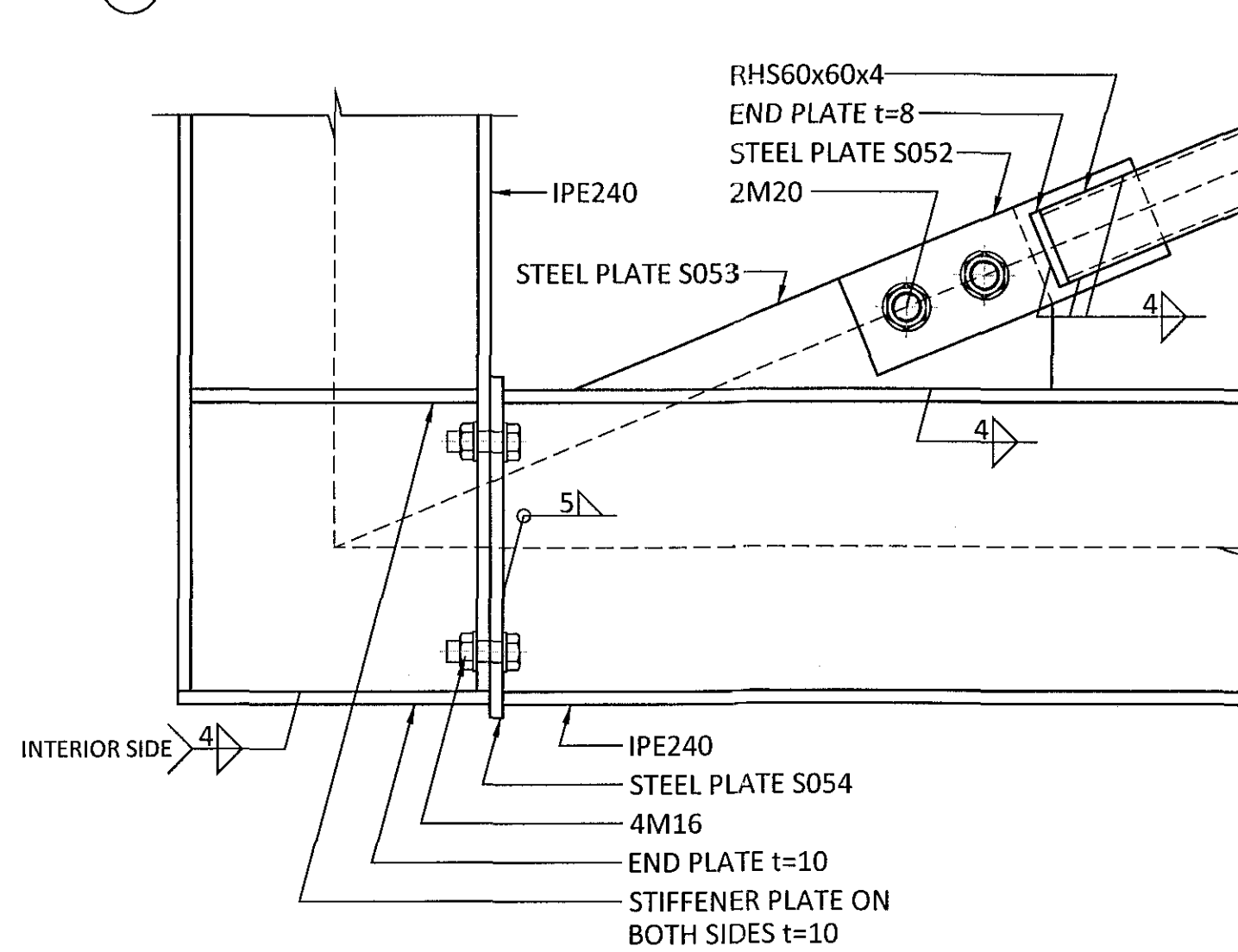
047 SCALE 1:5



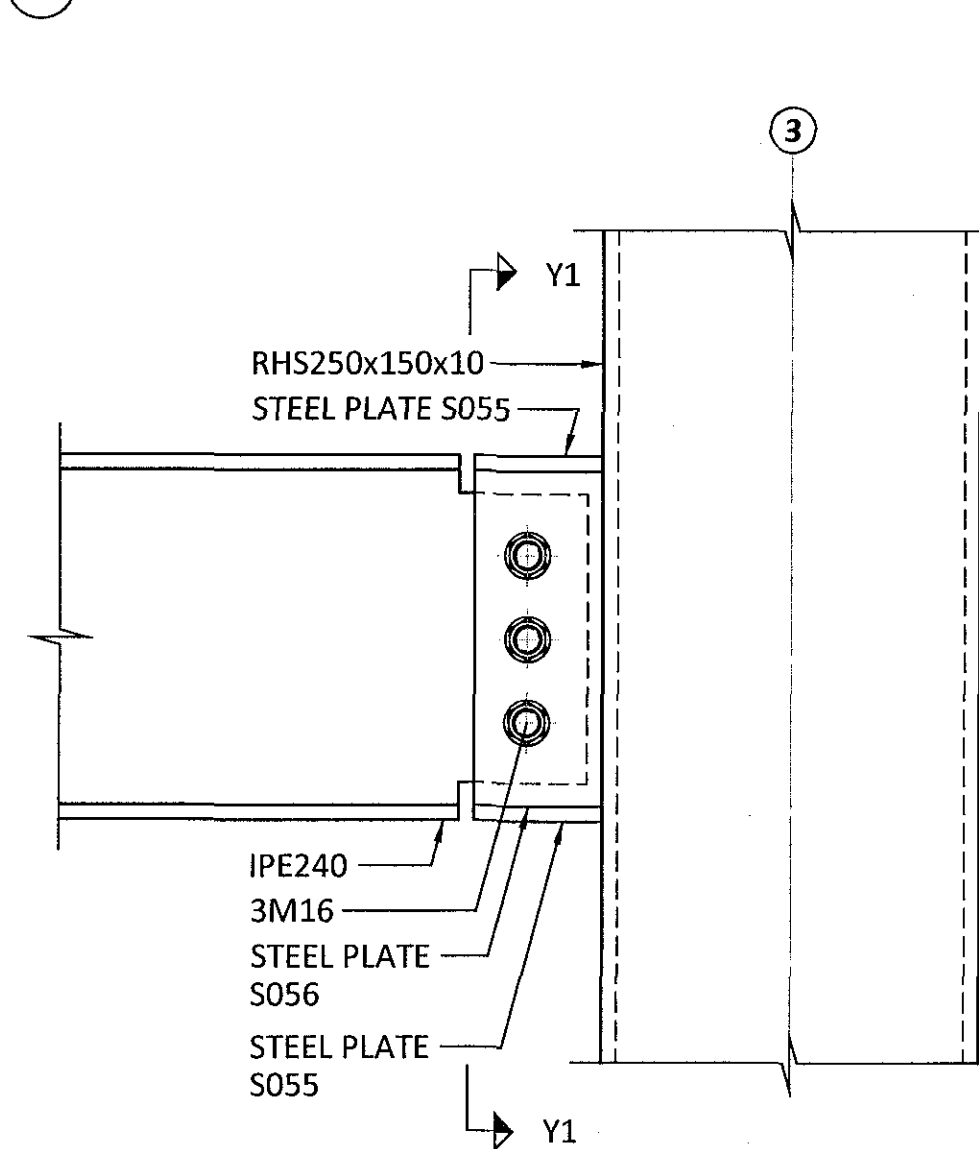
048 SCALE 1:5



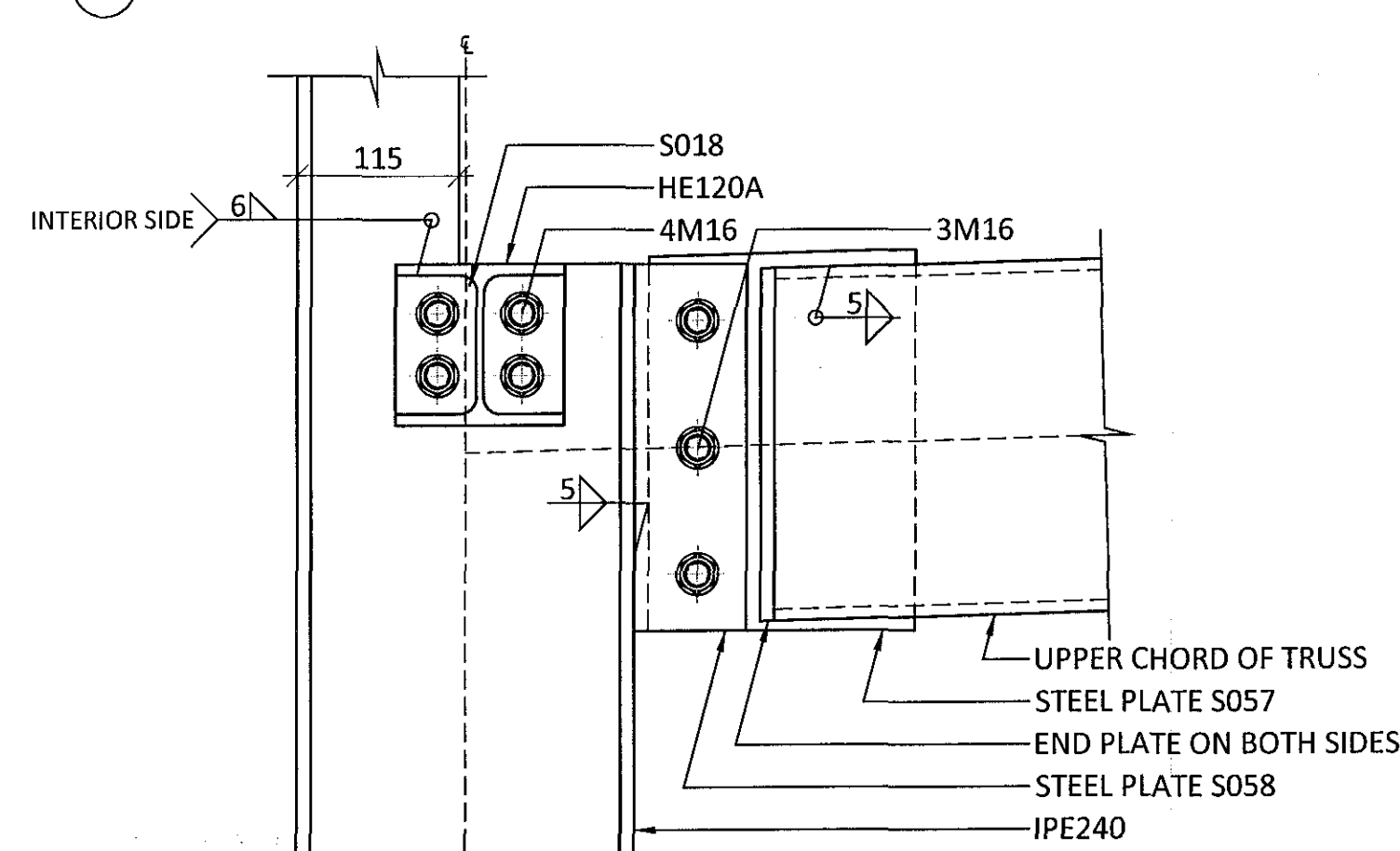
049 SCALE 1:5



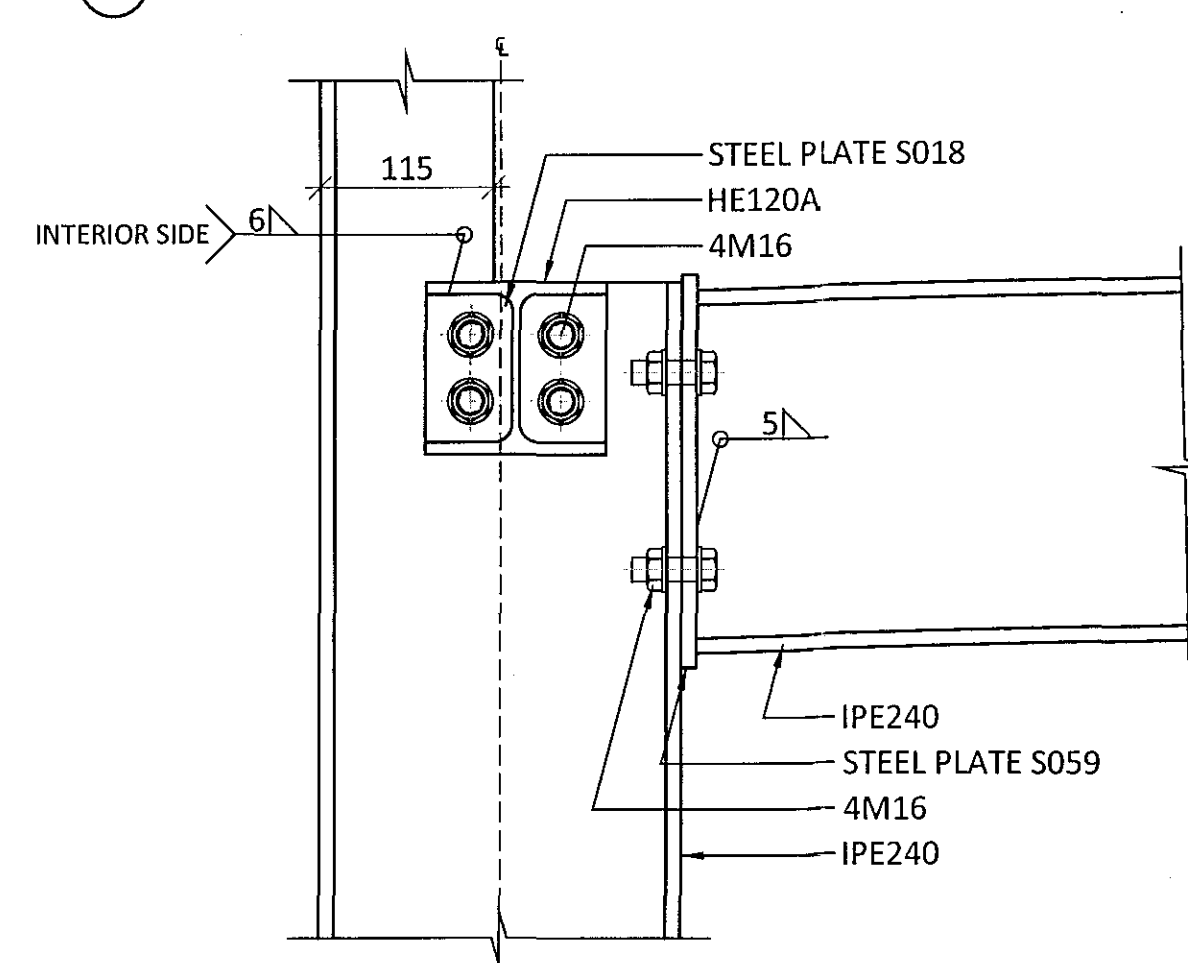
050 SCALE 1:5



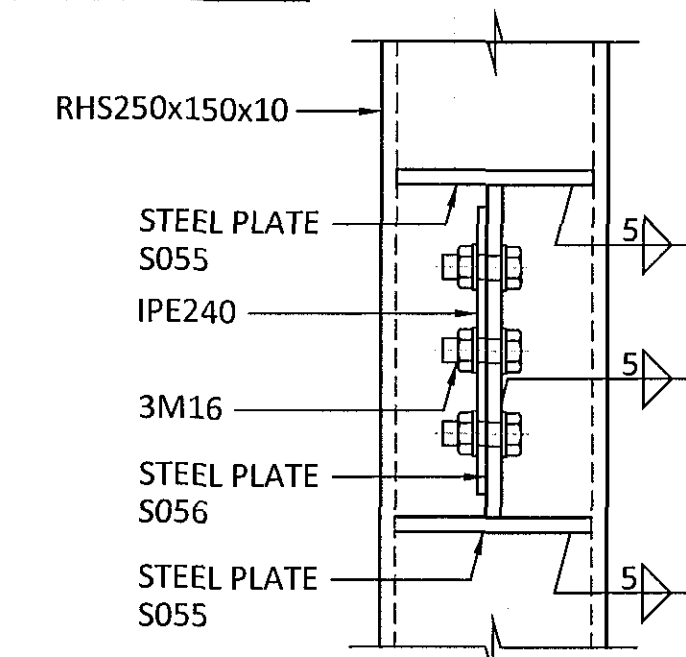
051 SCALE 1:5



052 SCALE 1:5



SECTION Y1-Y1 - SCALE 1:5



ARITUN BYGGINGARFULLTRÚA: *Guðrún E. R.*
Rt. 220564-4369

A 05.01.16 FESTINGAR 042, 044 OG 052 UPPFÆRDAR
BR. DAGS. BREYTING



FLATAHRAUN 13 HAFNARFJÖRÐUR
NÝBYGGING KRÖNUVERSLUN
STEEL STRUCTURE CONNECTIONS

SAMÞYKKT: <i>Guðrún E. R.</i> 070970-4149			
HÖNNUÐUR	VFIRFARID	DAGS. ÚTG.	DAGS. BREYT.
AK armgrimur@ferill.is	HE	09.09.15	05.01.16
MKV.	VERKNR.	TEK.NR.	BREYT.
1:5	14048	1 - 3306	A
Ferill ehf. Mörkin 1 108 Reykjavík Sími: 575 1600 Fax: 575 1601 www.ferill.is			