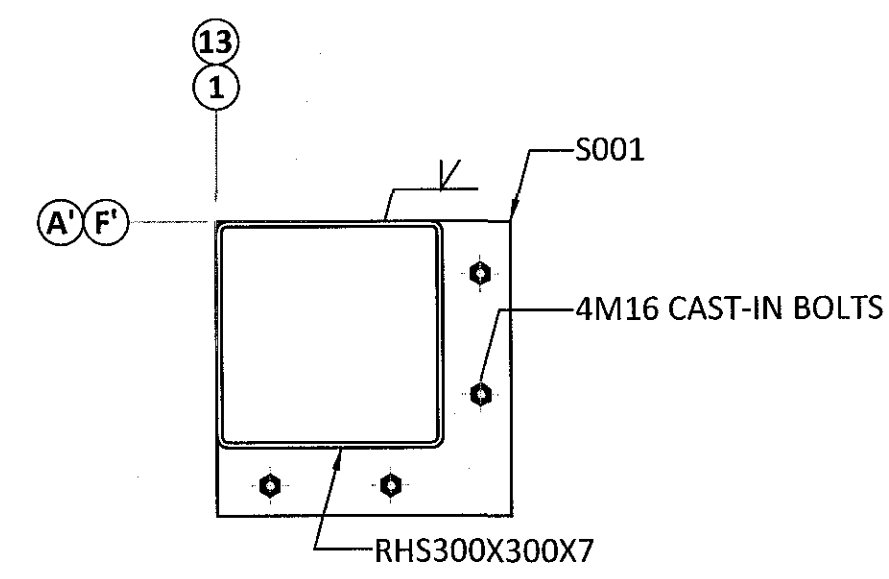


ÁRITUN BYGGINGARFULLTRÖA

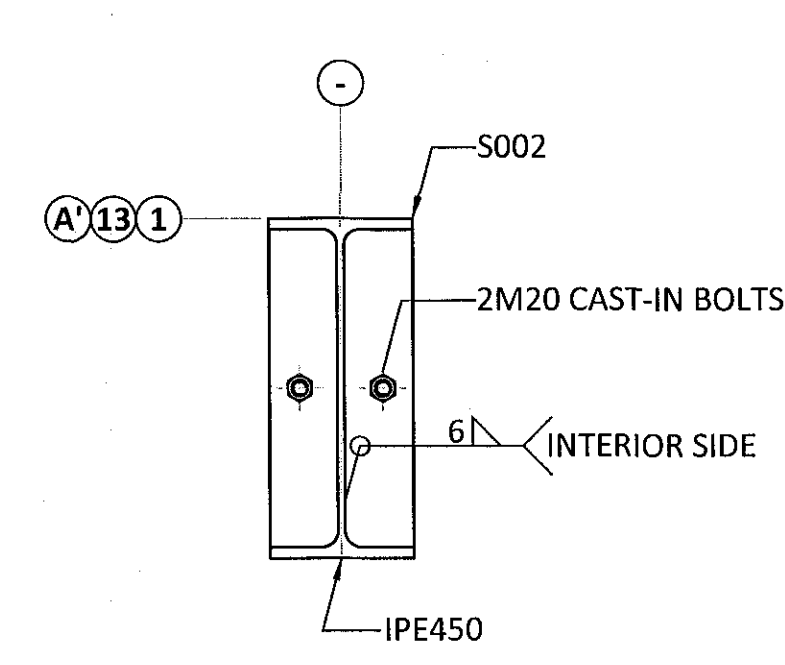
Sampykkt þann  
26 MAY 2017

Byggingarfulltrúinn í Hafnarfirði  
F.h. Sigurður Steinar Jónsson

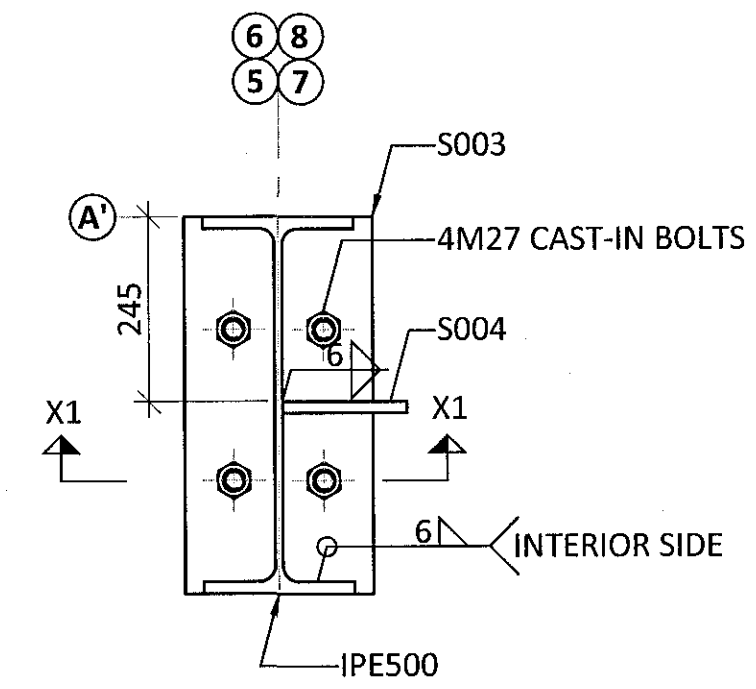
CONNECTION F01 - M1:10



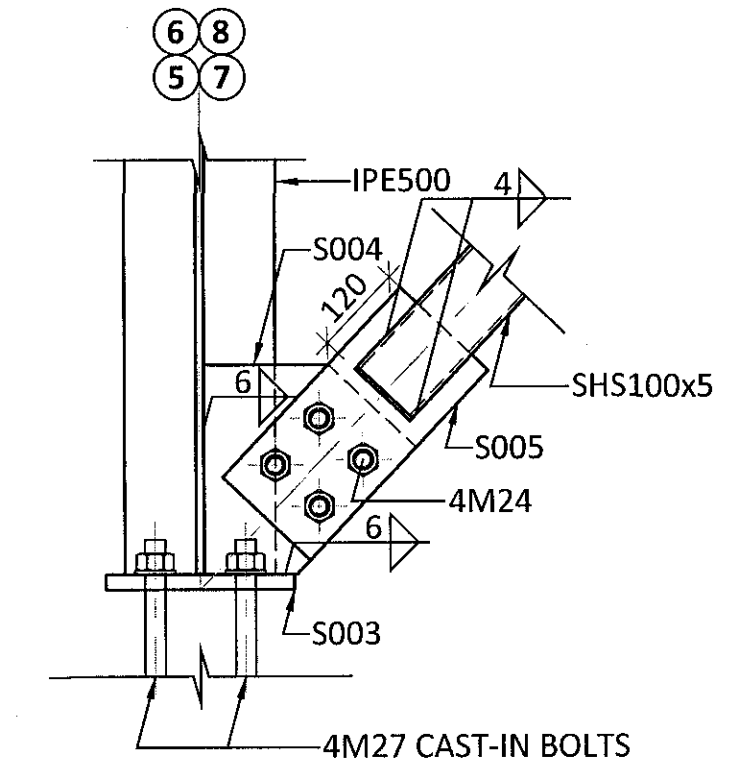
CONNECTION F02 - M1:10



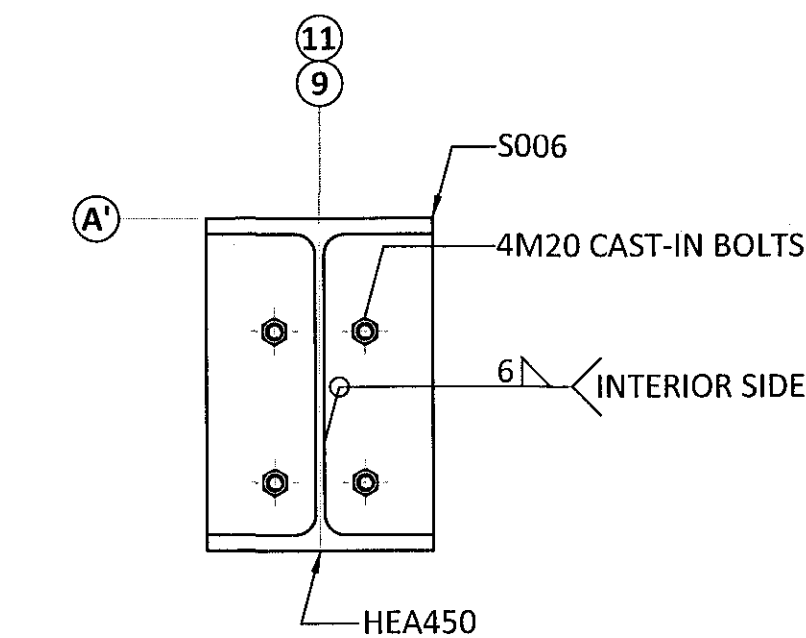
CONNECTION F03 - M1:10



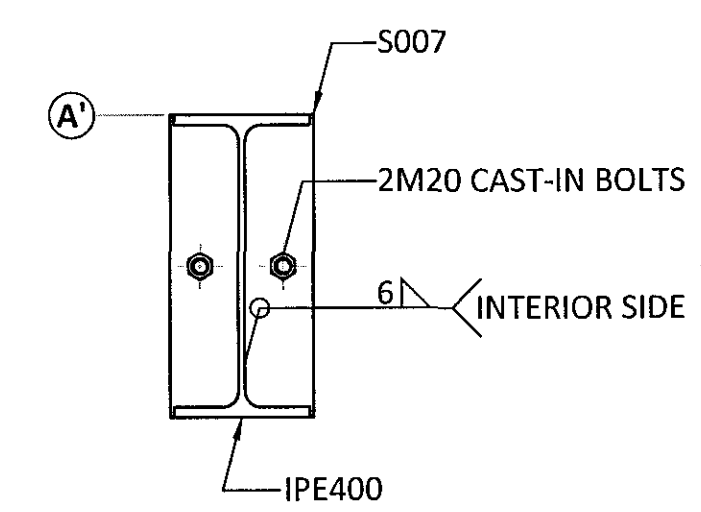
SECTION X1-X1 - M1:10



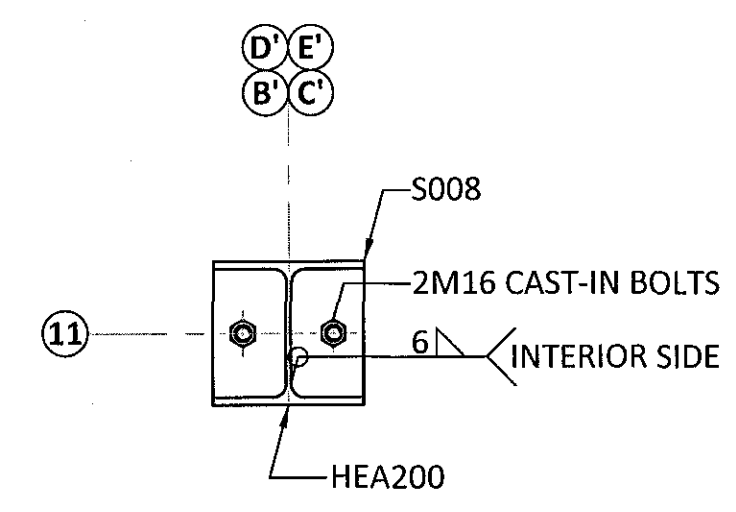
CONNECTION F04 - M1:10



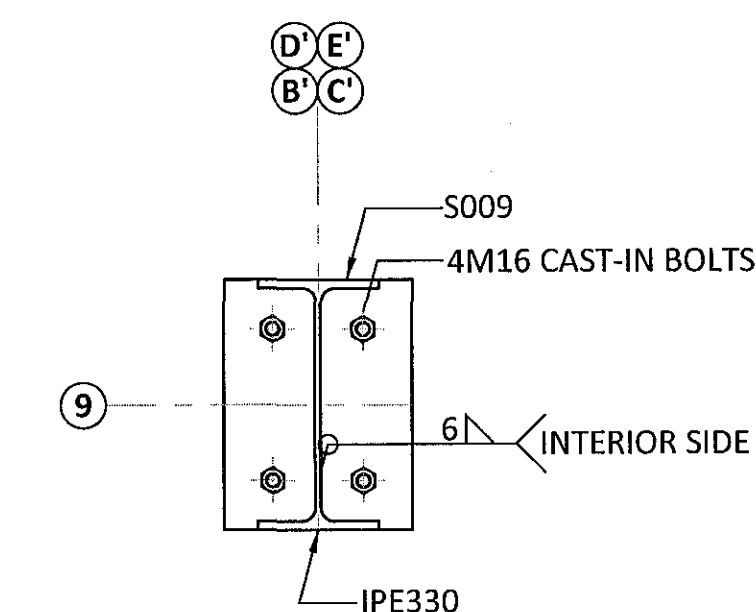
CONNECTION F05 - M1:10



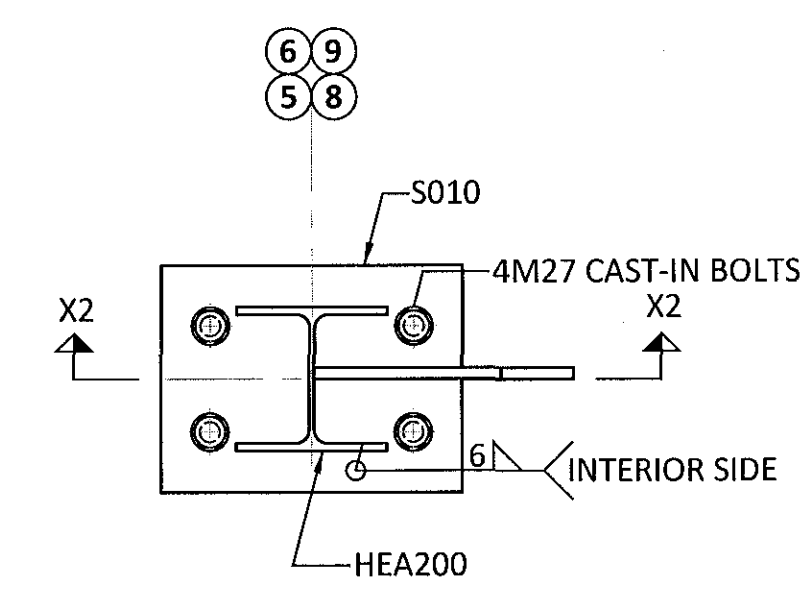
CONNECTION F06 - M1:10



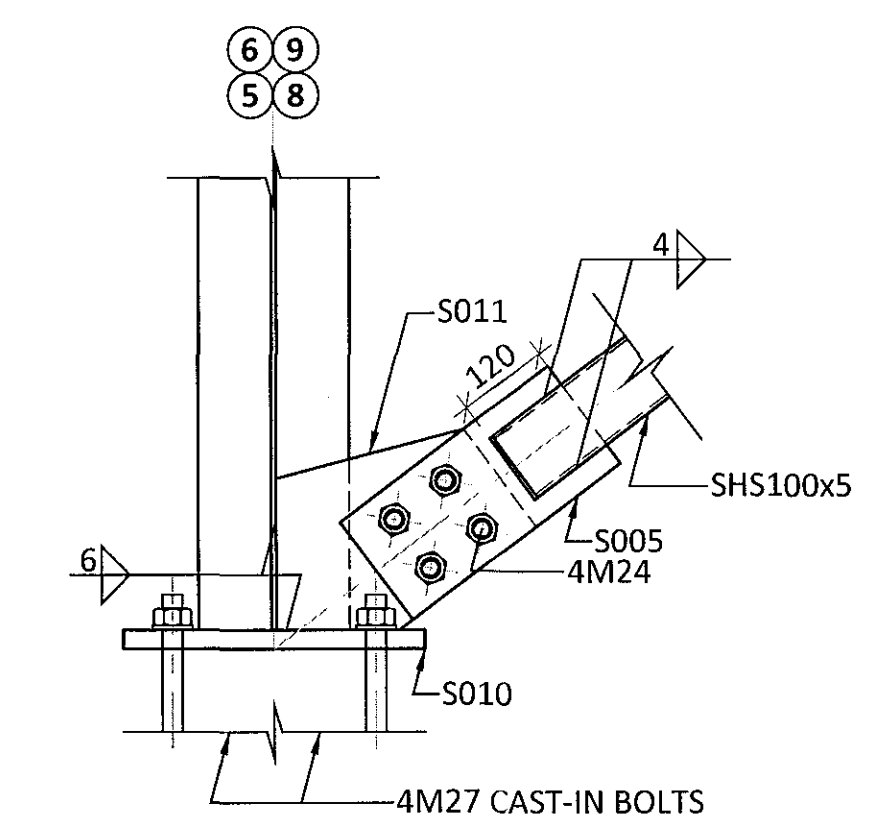
CONNECTION F07 - M1:10



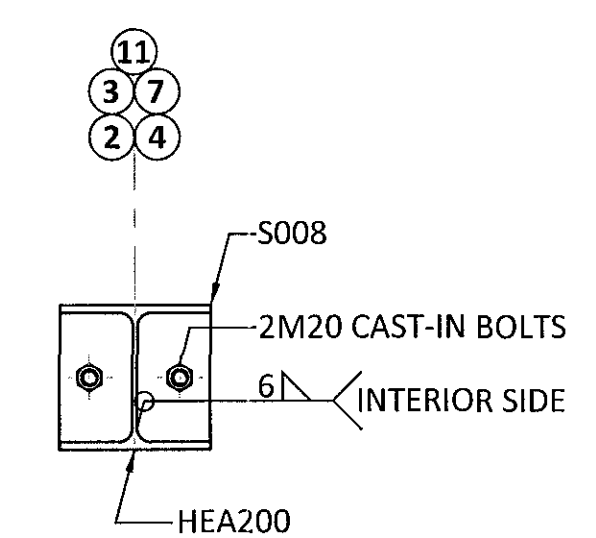
CONNECTION F08 - M1:10



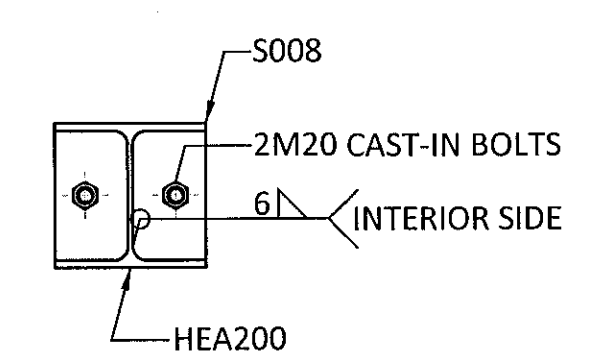
SECTION X2-X2 - M1:10



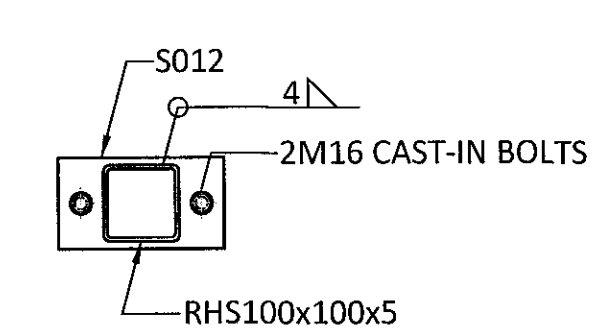
CONNECTION F09 - M1:10



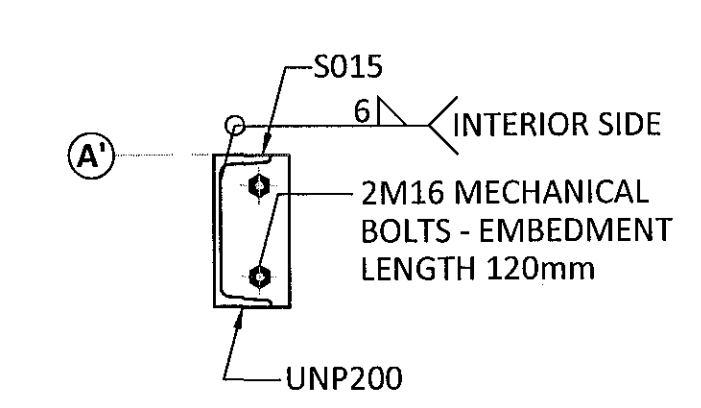
CONNECTION F10 - M1:10



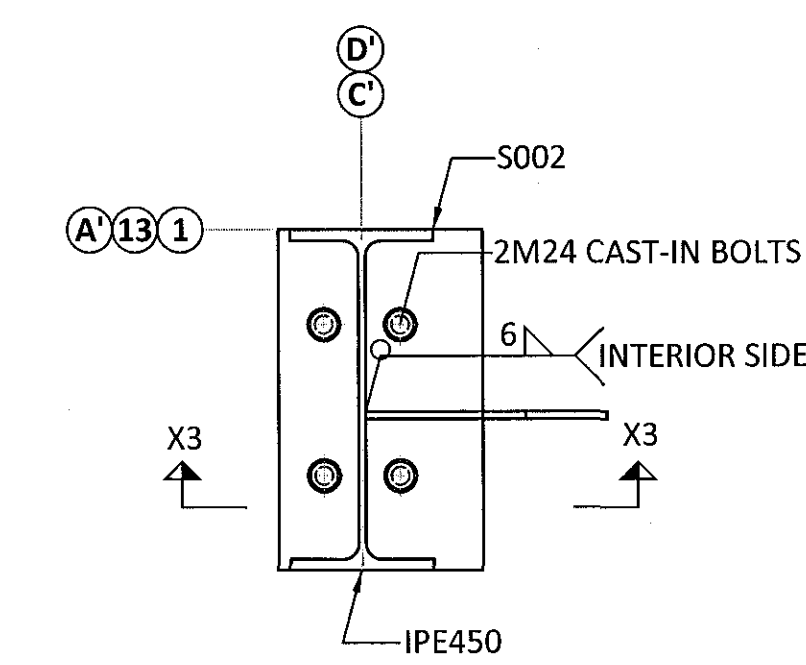
CONNECTION F11 - M1:10



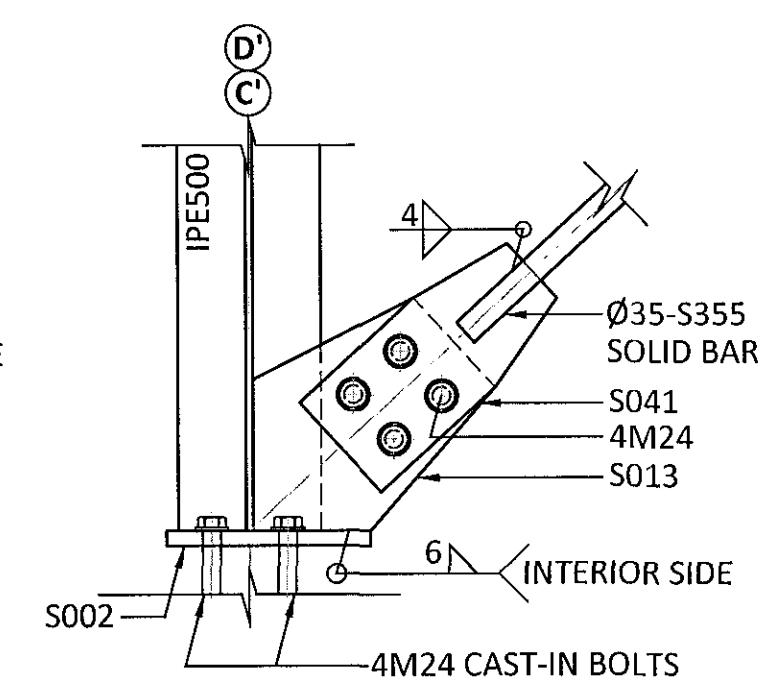
CONNECTION F12 - M1:10



CONNECTION F13 - M1:10



SECTION X3-X3 - M1:10



ÁRITUN AÐALHÖNNUNAR: *OUTA* KT. *01/01/2015*

BR.	DAGS.	BREYTING	SAMB.

**ferill**  
VERKFRÆÐISTOFA

**FLUGVELLIR 1** HAFNARFIRÐI  
FLIGHT SIMULATOR BUILDING  
STEEL STRUCTURE  
CONNECTIONS

SAMPYKKT: *Loeður* KT. *SB*

HÖNNUÐUR	YFIRFARID	DAGS. ÚTÍ	DAGS. BREYT.
PÓ	SB	04.04.17	
MKV.	VERNR.	TEKNI. NR.	BREYT.
1:10	14014	1 - 2550	

Ferill ehf. Mörkin 1 108 Reykjavík Sími: 575 1600 Fax: 575 1601 www.ferill.is