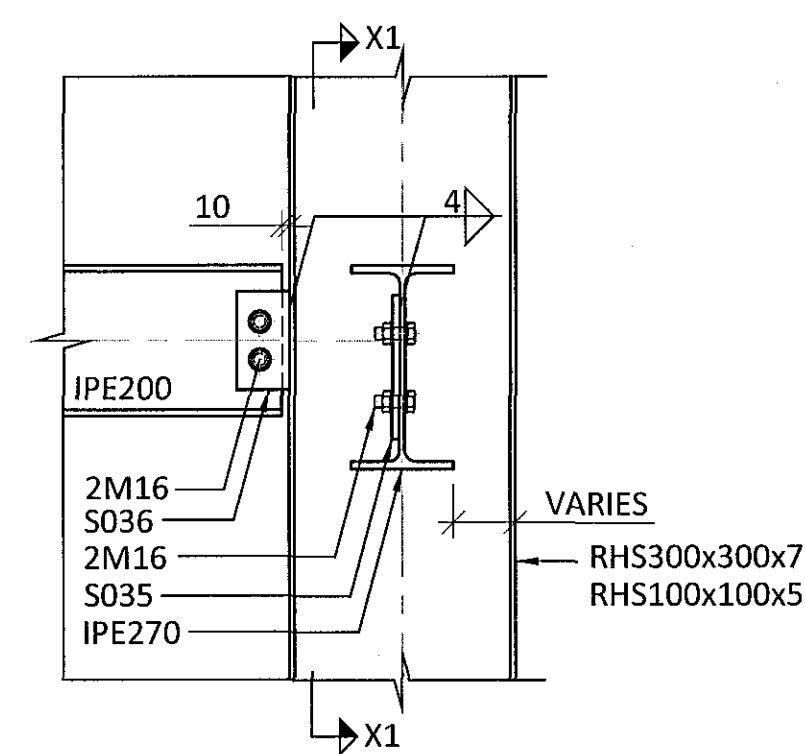


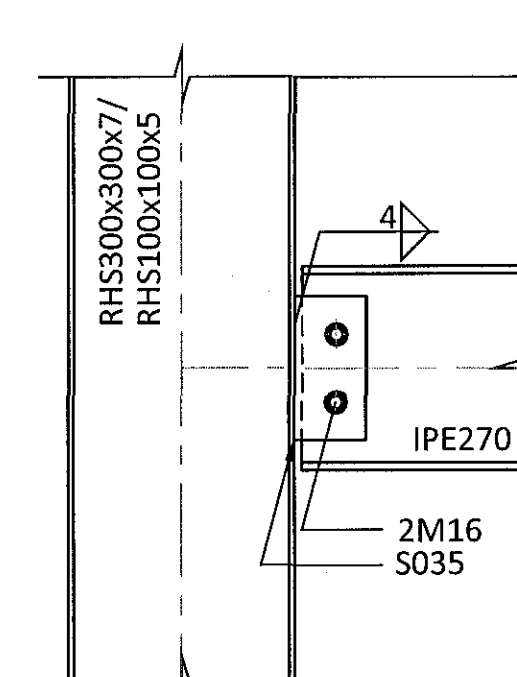
ÁRITUN BYGGINGARFULLTRÚA

Sampykkt þann
26 MAY 2017
Byggingarfulltrúinn í Hafnarfirði
F.h. Stigurður Steinar Jónsson

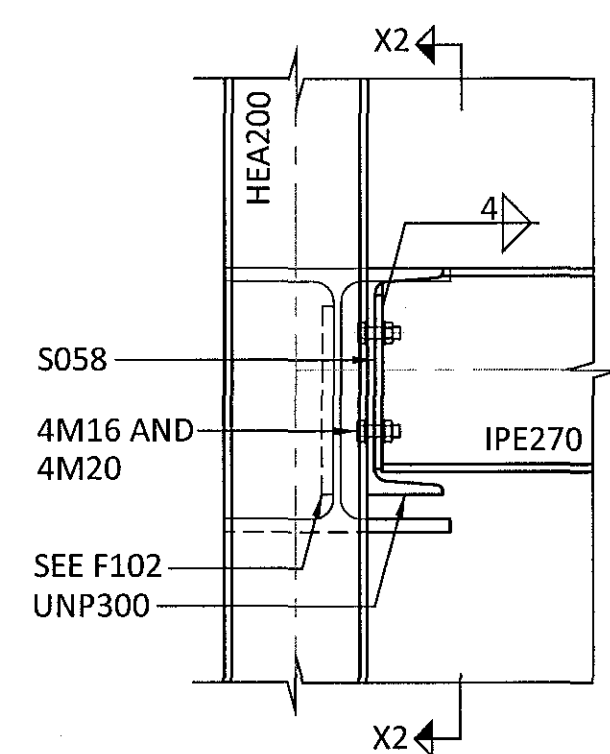
CONNECTION F100 TYP. - M1:10



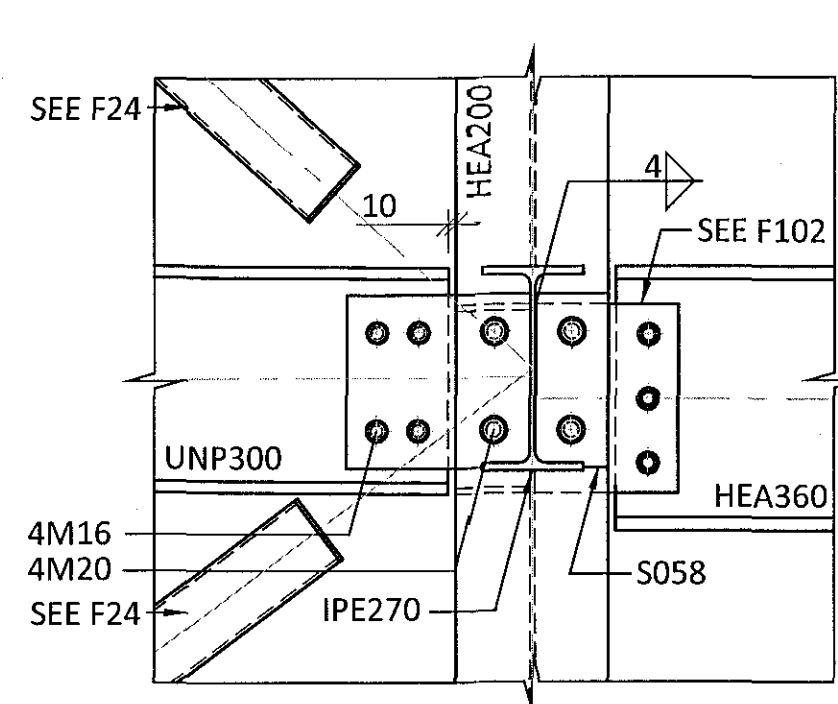
SECTION X1-X1 - M1:10



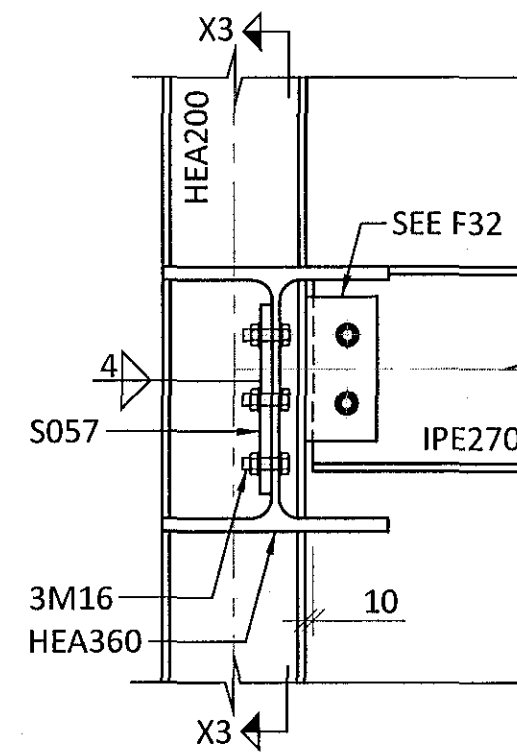
CONNECTION F101 - M1:10



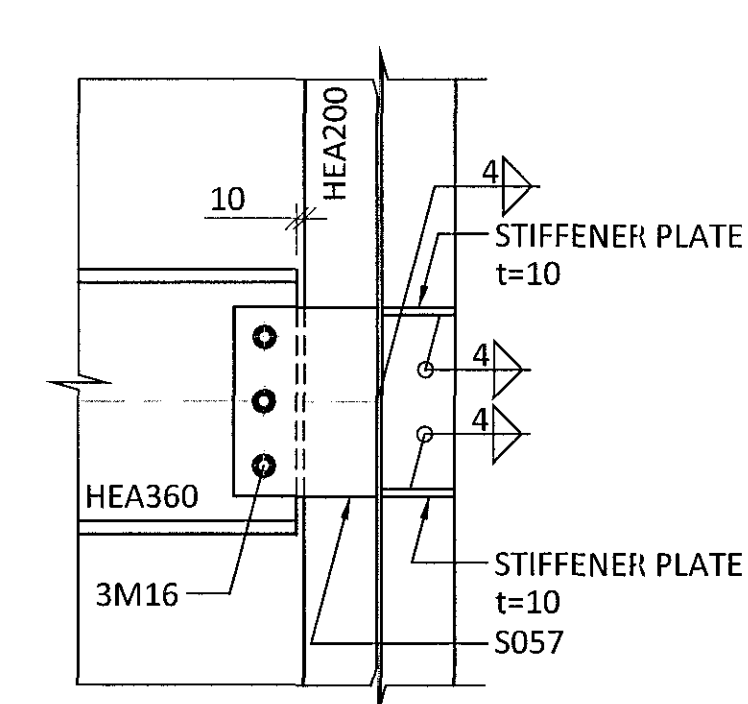
SECTION X2-X2 - M1:10



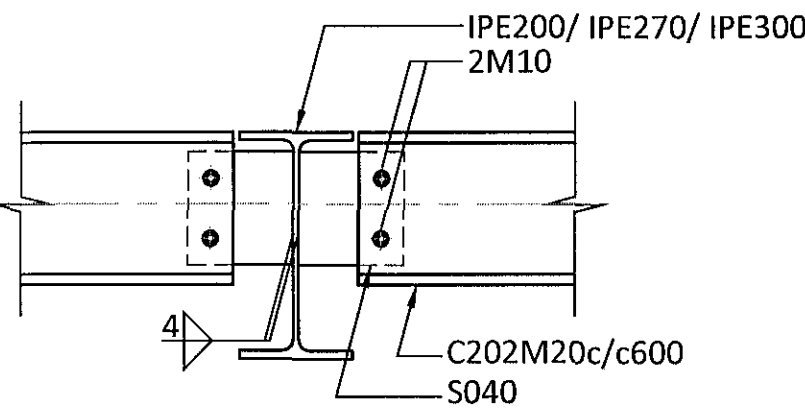
CONNECTION F102 - M1:10



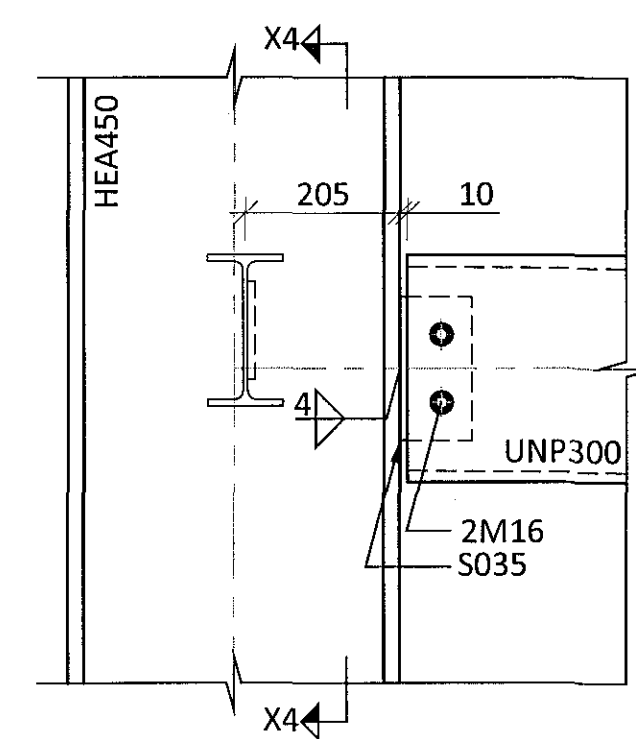
SECTION X3-X3 - M1:10



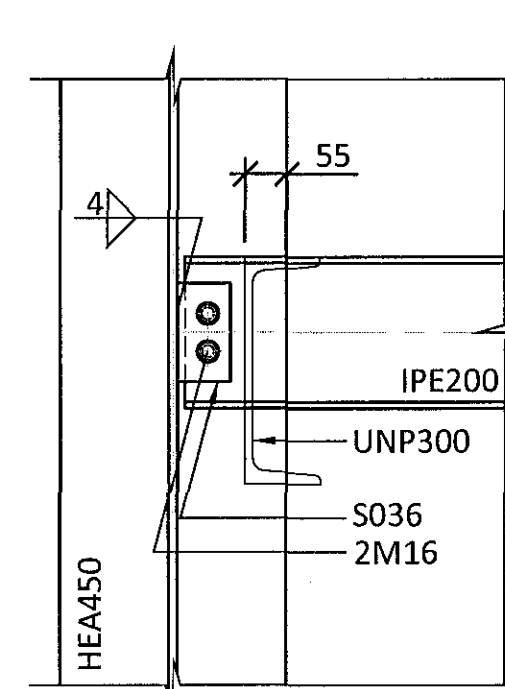
CONNECTION F103 TYP. - M1:10



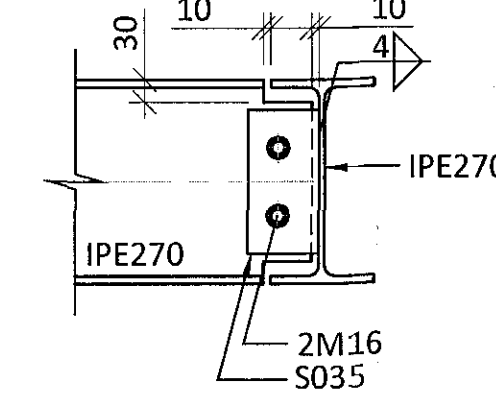
CONNECTION F104 - M1:10



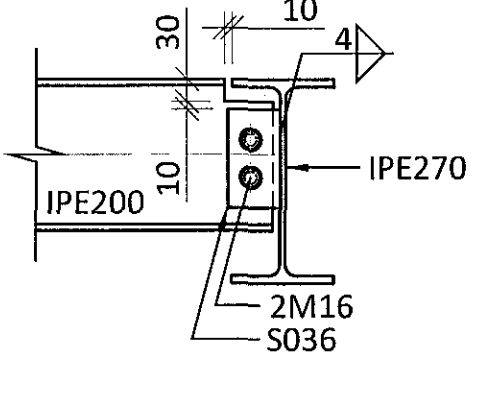
SECTION X4-X4 - M1:10



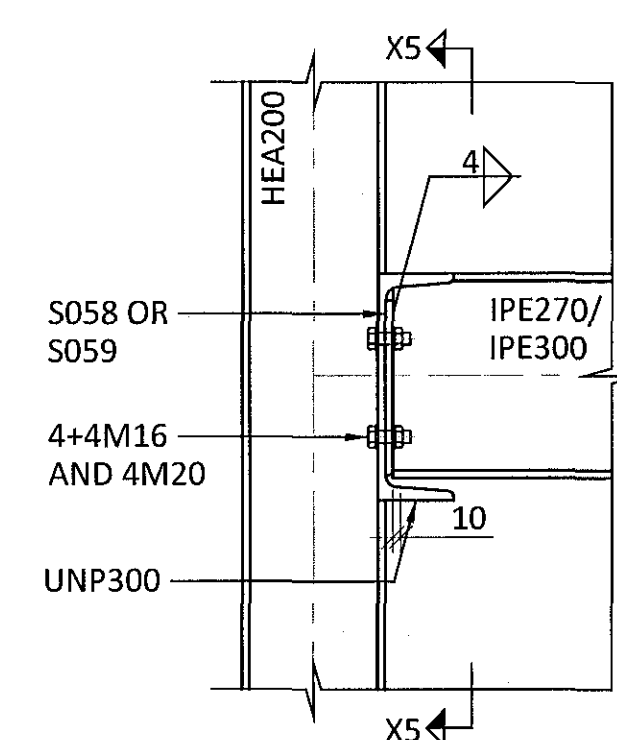
CONNECTION F105 - M1:10



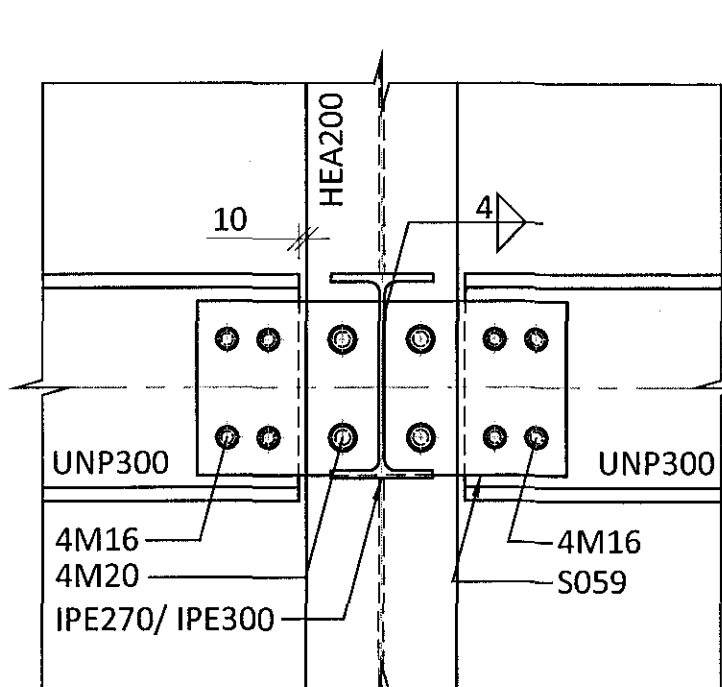
CONNECTION F106 - M1:10



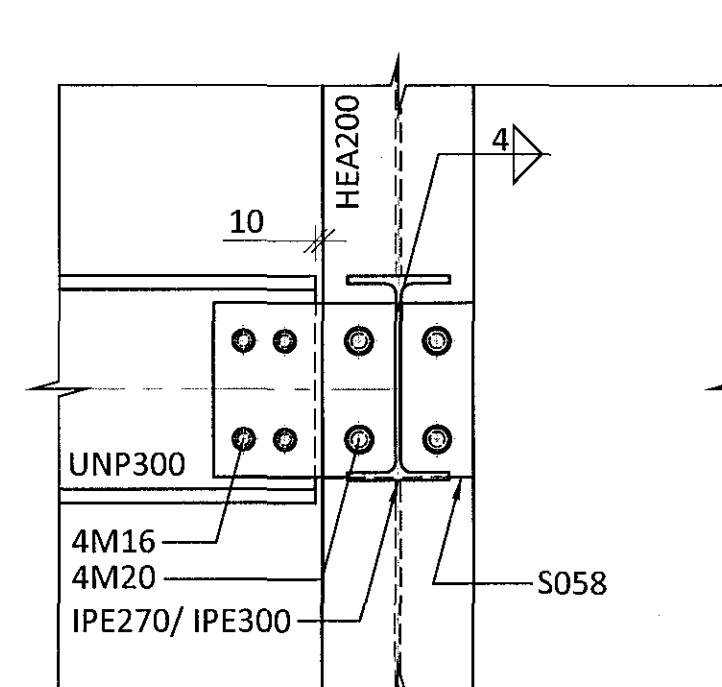
CONNECTION F107 TYP. - M1:10



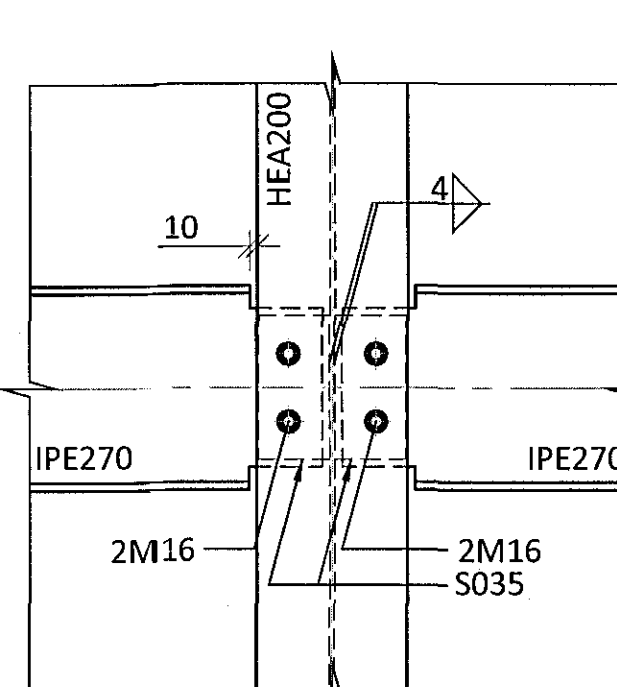
SECTION X5-X5 - M1:10



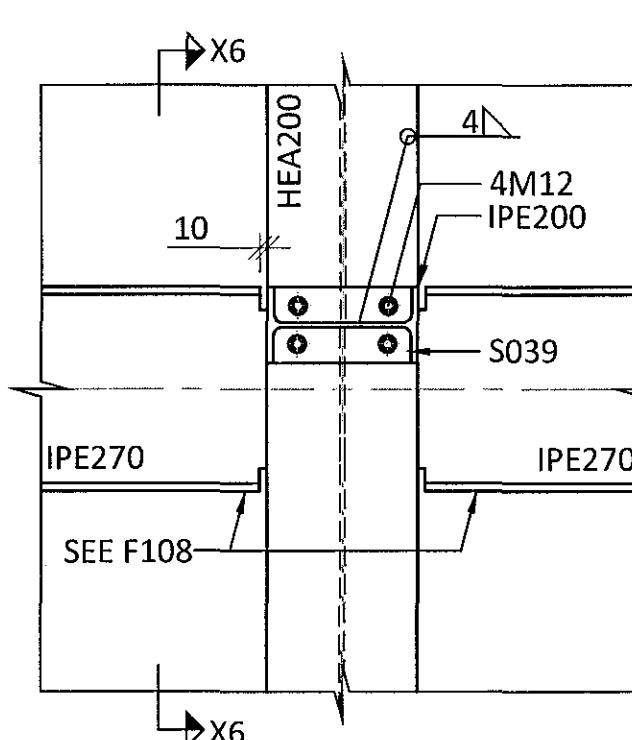
OR:



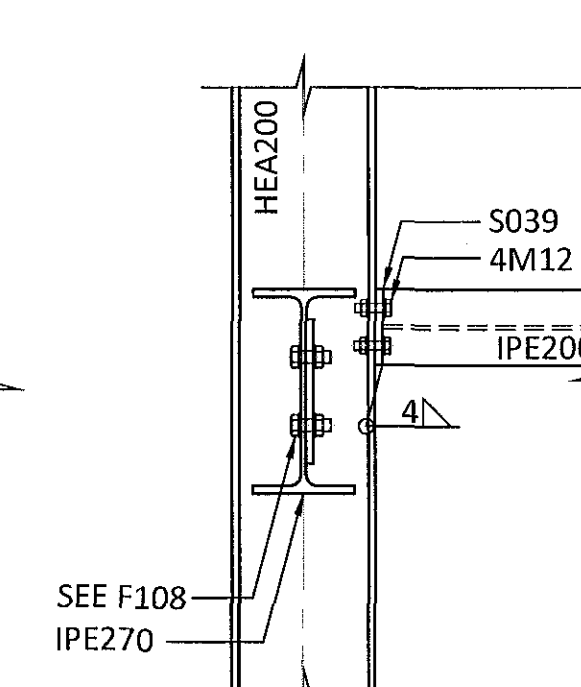
CONNECTION F108 - M1:10



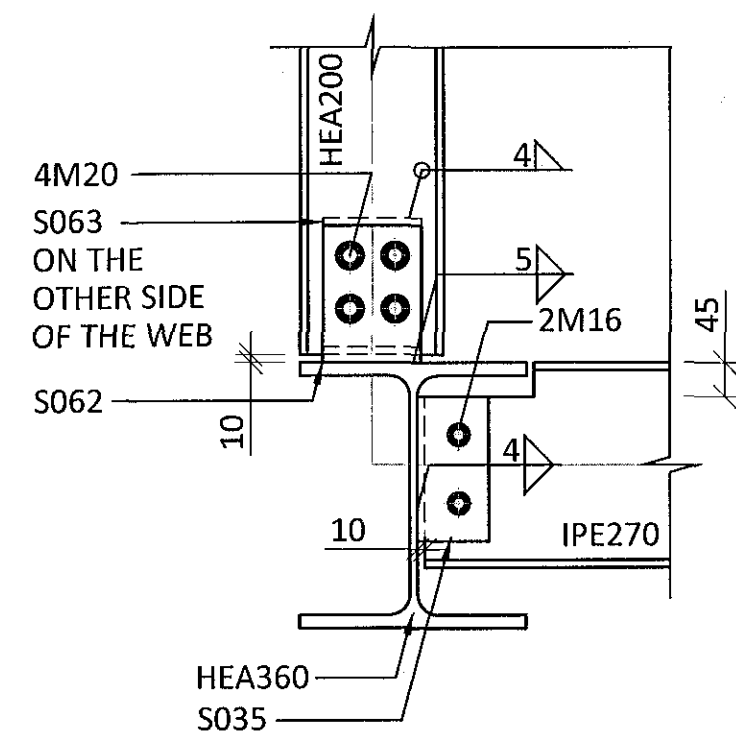
CONNECTION F109 TYP. - M1:10



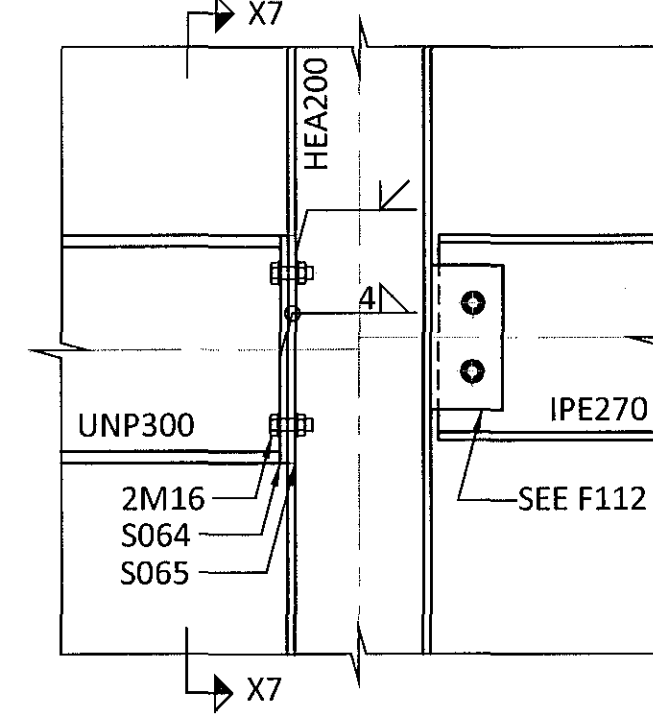
SECTION X6-X6 - M1:10



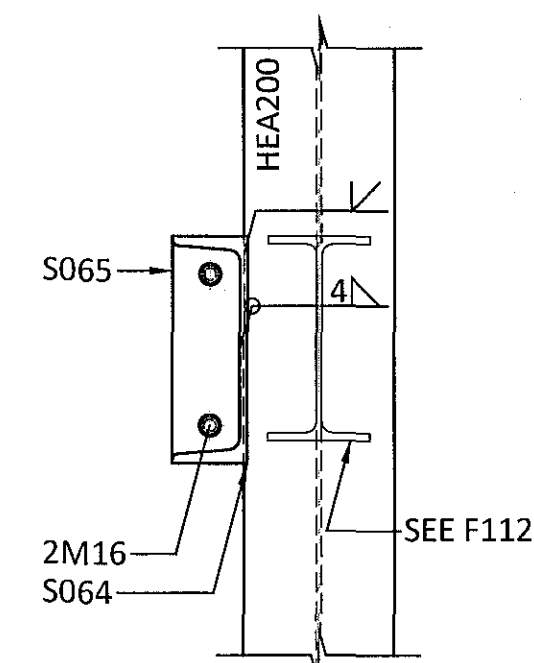
CONNECTION F110 - M1:10



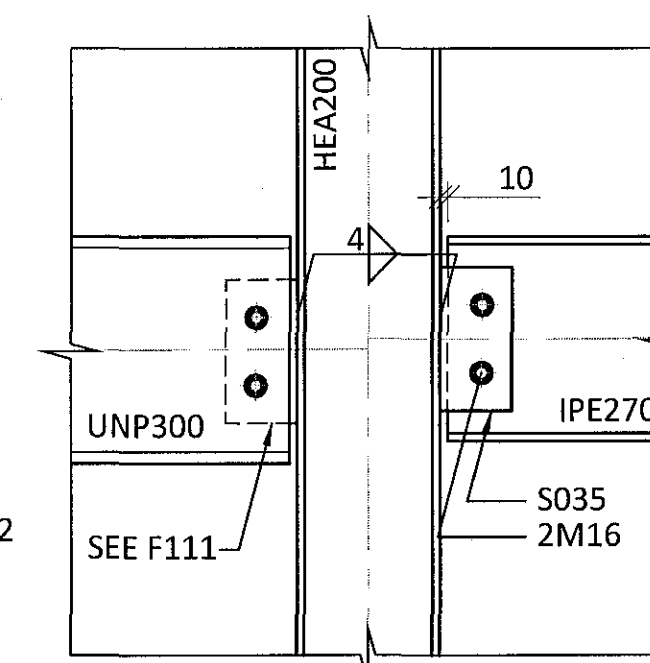
CONNECTION F111 - M1:10



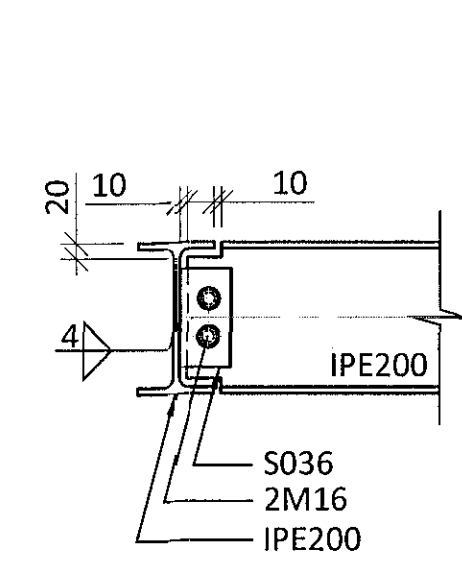
SECTION X7-X7 - M1:10



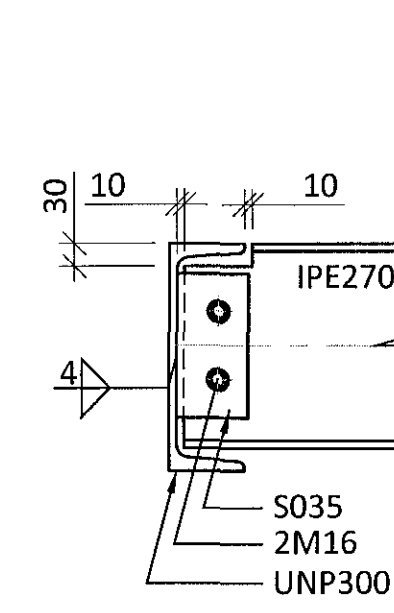
CONNECTION F112 - M1:10



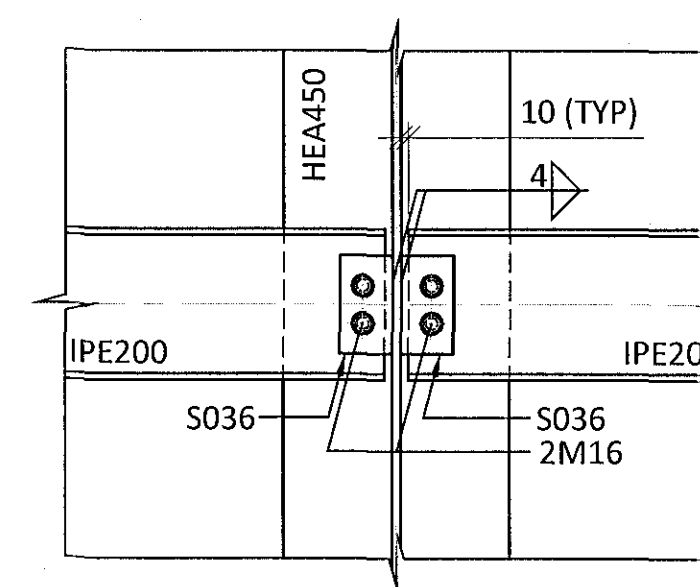
CONNECTION F113 - M1:10



CONNECTION F114 - M1:10



CONNECTION F115 - M1:10



V:\Flugvellir\1\Teikningar\1-BURDARPOL\14014-1-2550.dwg

ÁRITUN BYGGINGARFULLTRÚA

BR.	DAGS.	BREYTING	SAMP.

ferill
VERKFRÆÐISTOFA

FLUGVELLIR 1 HAFNARFIRÐI
FLIGHT SIMULATOR BUILDING
STEEL STRUCTURE CONNECTIONS

SAMPYKKT:	KT.	260172-3879	
HÖNNUÐUR	YFIRFARIÐ	DAGS. ÚTF.	DAGS. BREYT.
PÓ	SB	04.04.17	
MKV.	VERKNR.	TEKN. NÚ.	BREYT.
1:10	14014	1 - 2553	

Ferill ehf. Mörkin 1 108 Reykjavík Sími: 575 1600 Fax: 575 1601 www.ferill.is