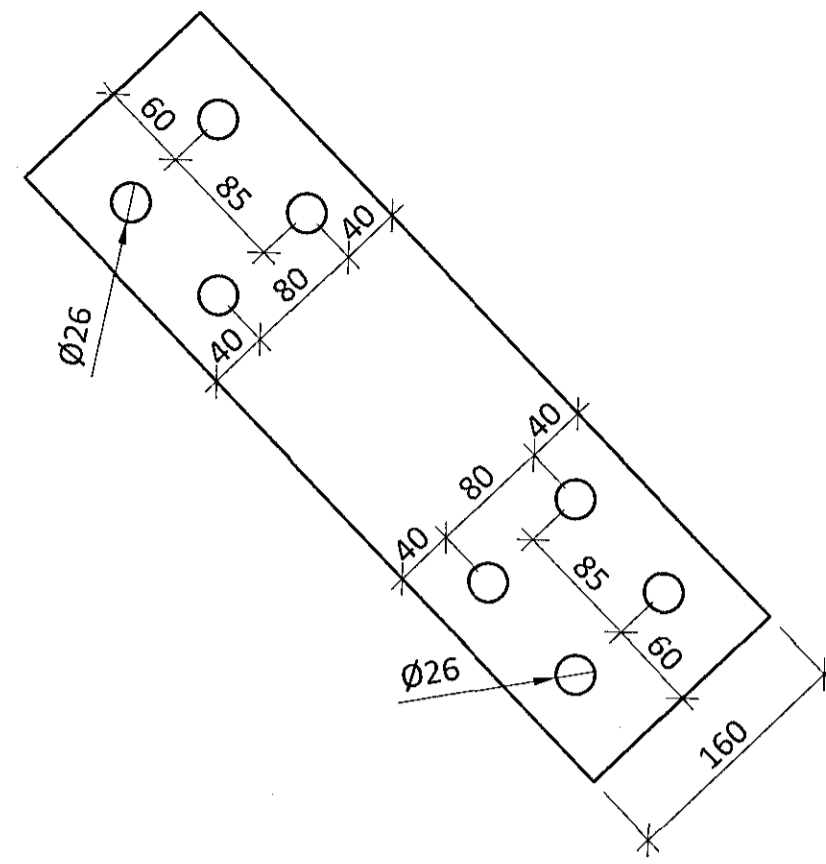
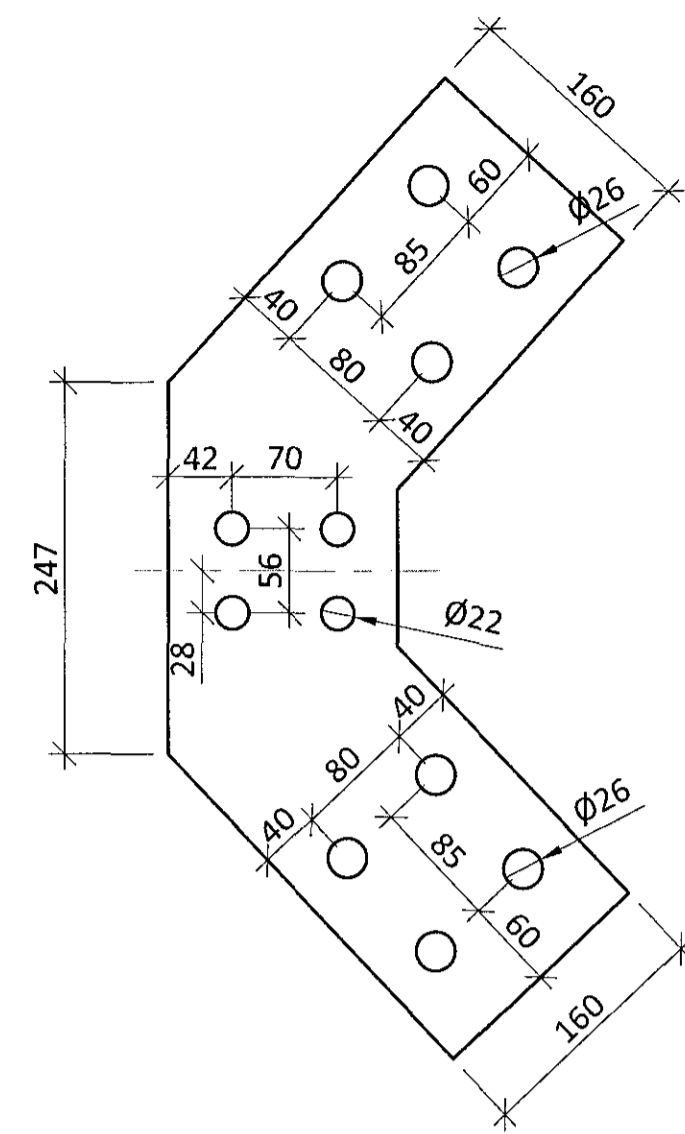


Sampykkt þann
26 MAY 2017
Byggingarfulltrúinn í Hafnarfirði
F.h. Sigurður Steinar Jónsson

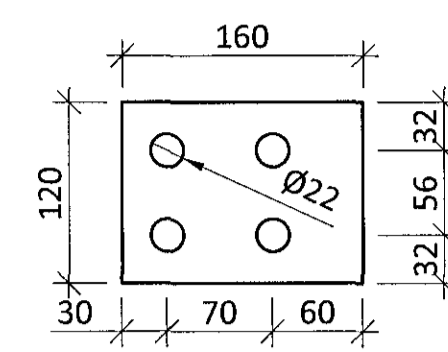
STEEL PLATE S020 - t=15mm - M1:5
S355



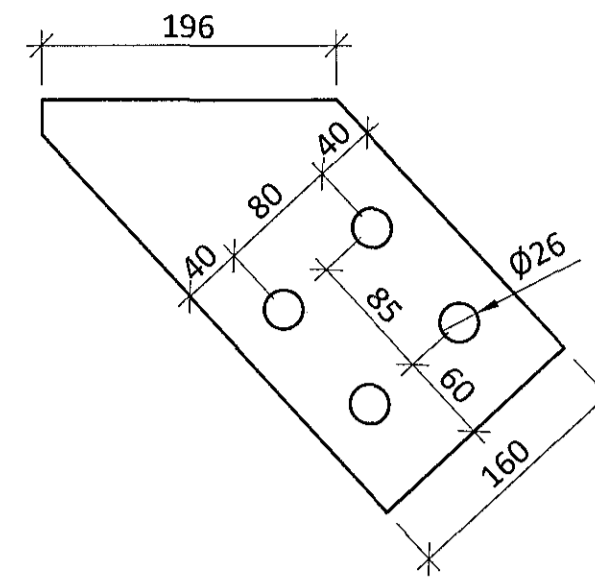
STEEL PLATE S021 - t=15mm - M1:5
S355



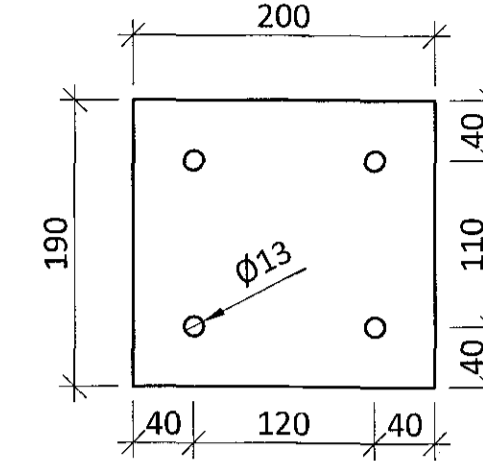
STEEL PLATE S022 - t=15mm - M1:5
S355



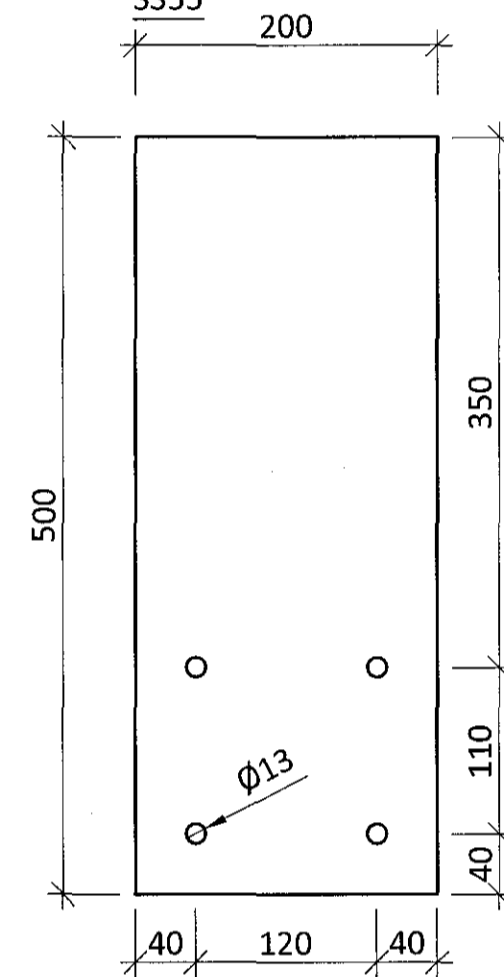
STEEL PLATE S023 - t=15mm - M1:5
S355



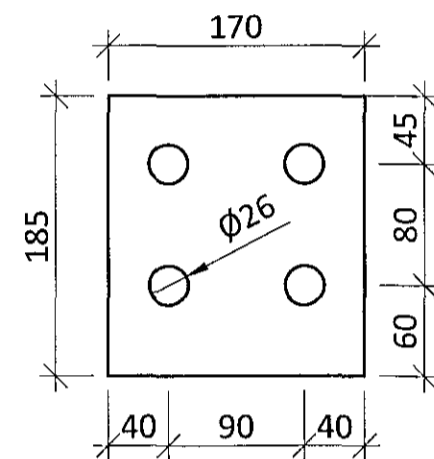
STEEL PLATE S024 - t=10mm - M1:5
S355



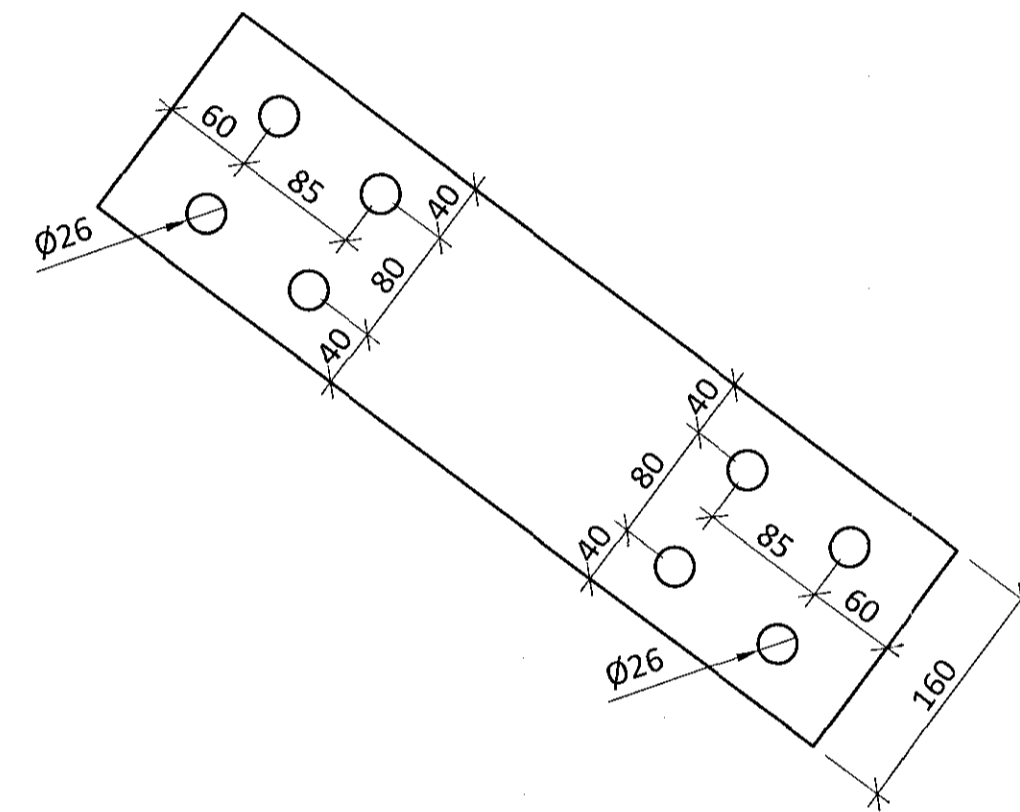
STEEL PLATE S025 - t=10mm - M1:5
S355



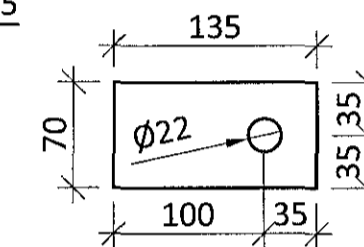
STEEL PLATE S026 - t=15mm - M1:5
S355



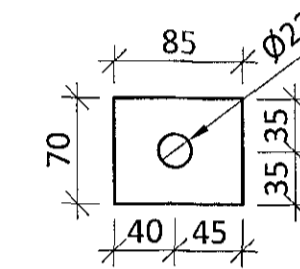
STEEL PLATE S027 - t=15mm - M1:5
S355



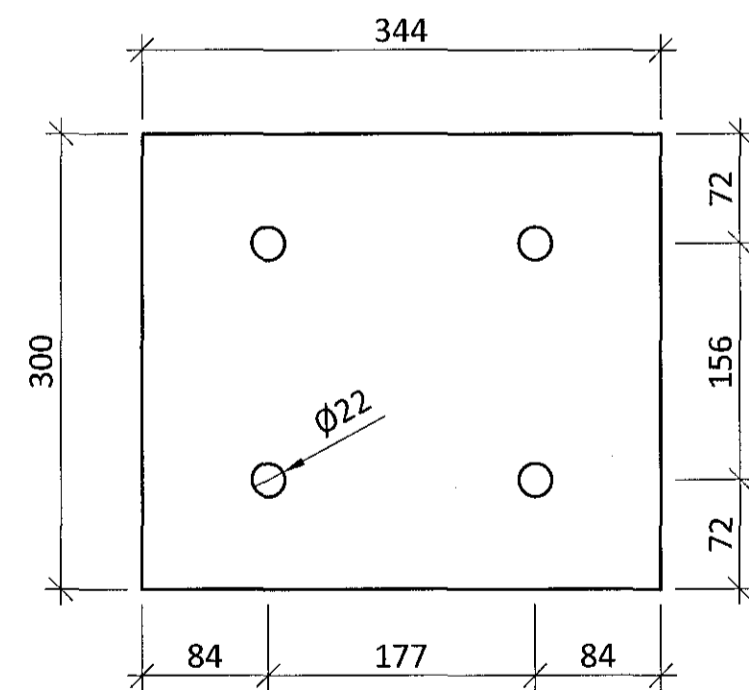
STEEL PLATE S028 - t=10mm - M1:5
S355



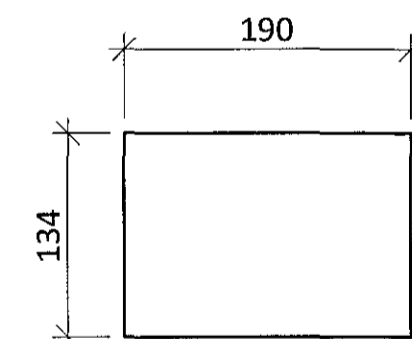
STEEL PLATE S029 - t=10mm - M1:5
S355



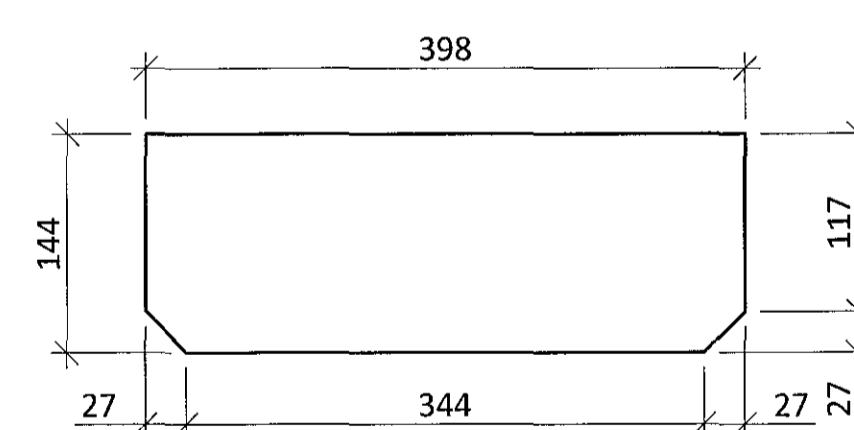
STEEL PLATE S030 - t=15mm - M1:5
S355



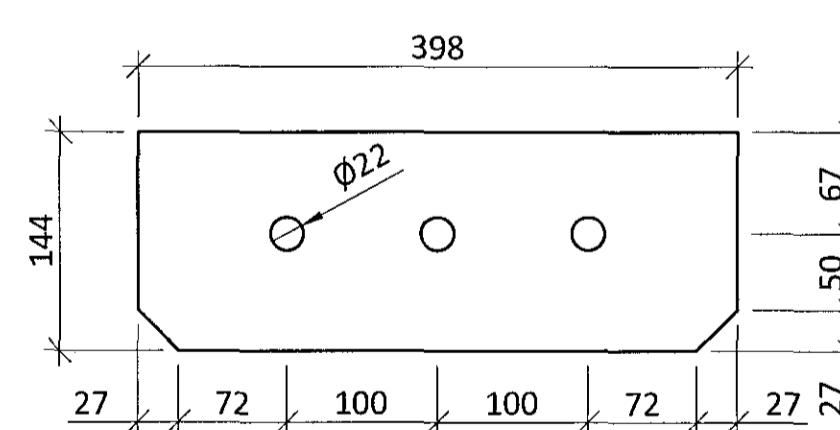
STEEL PLATE S031 - t=10mm - M1:5
S355



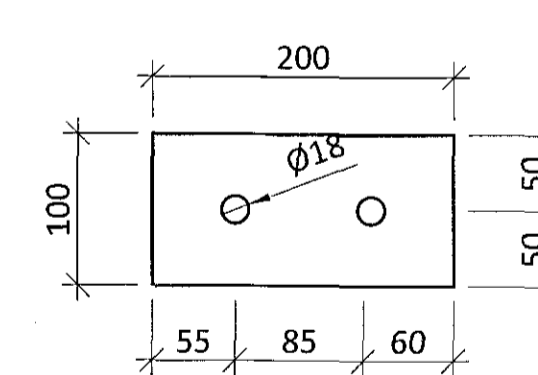
STEEL PLATE S032 - t=10mm - M1:5
S355



STEEL PLATE S033 - t=10mm - M1:5
S355



STEEL PLATE S034 - t=10mm - M1:5
S355



ARITUNARÁÐGAFI HÖNNUÐAR KT. 26.05.2015

BR.	DAGS.	BREYTING	SAMP.

ferill
VERKFRÆÐIS TÓFA

FLUGVELLIR 1 HAFNARFIRÐI
FLIGHT SIMULATOR BUILDING
STEEL STRUCTURE
STEEL PLATES

SAMPYKKT: *Þorri Þorsteinsson* KT. 26.04.17

HÖNNUÐUR	YFIRFARID	DAGS. ÚTÖ	DAGS. BREYT.
ÞÓ	SB	04.04.17	
MKV.	VERKNR.	TEIKN. NR.	BREYT.
1:10	14014	1 - 2561	