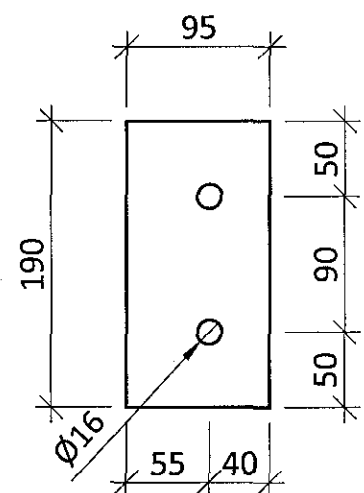
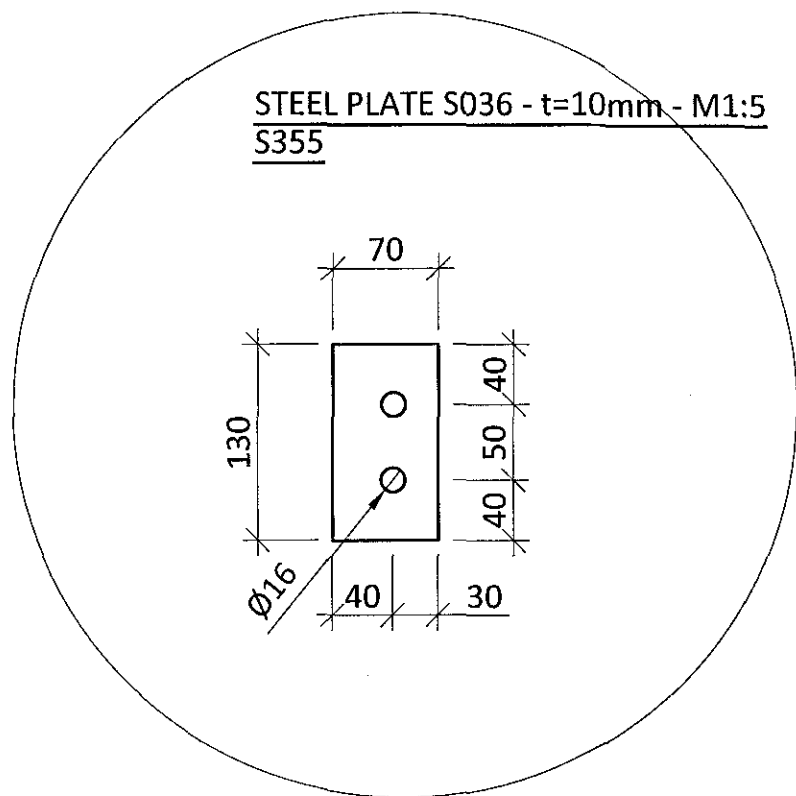


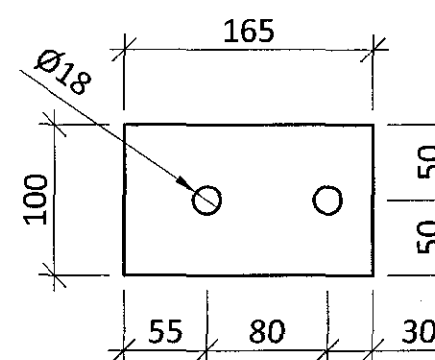
STEEL PLATE S035 - t=10mm - M1:5  
S355



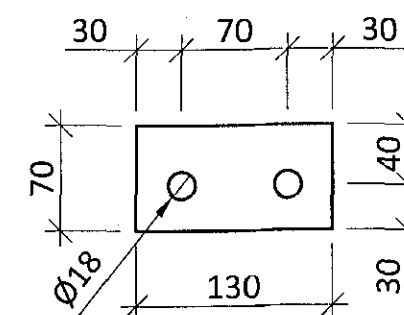
STEEL PLATE S036 - t=10mm - M1:5  
S355



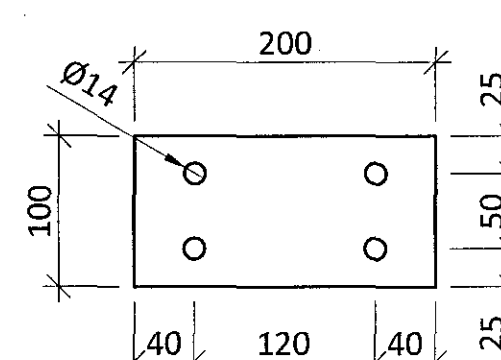
STEEL PLATE S037 - t=10mm - M1:5  
S355



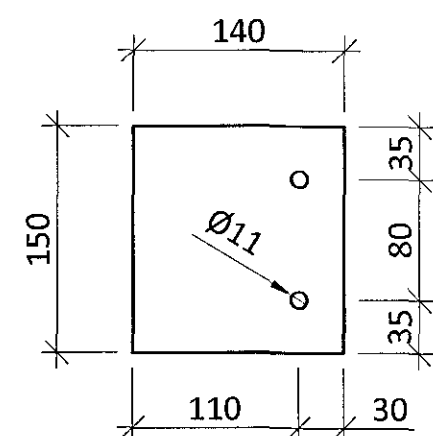
STEEL PLATE S038 - t=10mm - M1:5  
S355



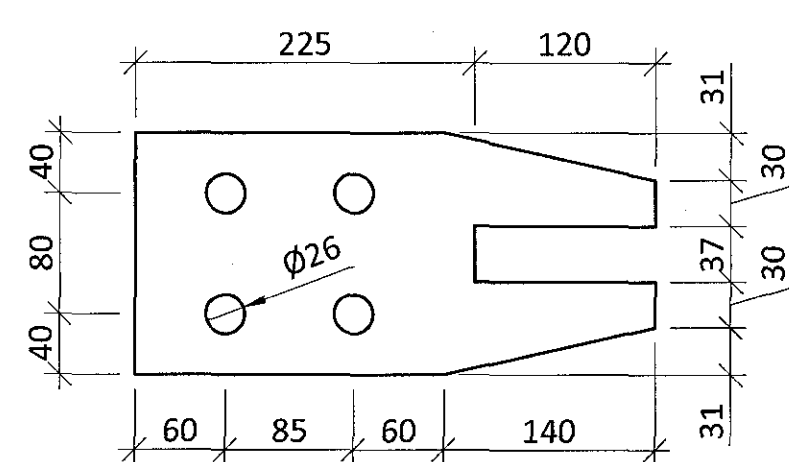
STEEL PLATE S039 - t=10mm - M1:5  
S355



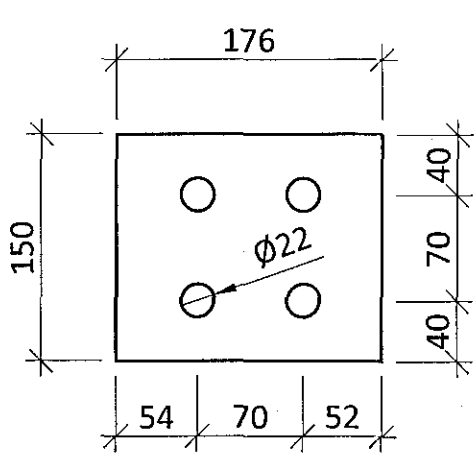
STEEL PLATE S040 - t=10mm - M1:5  
S355



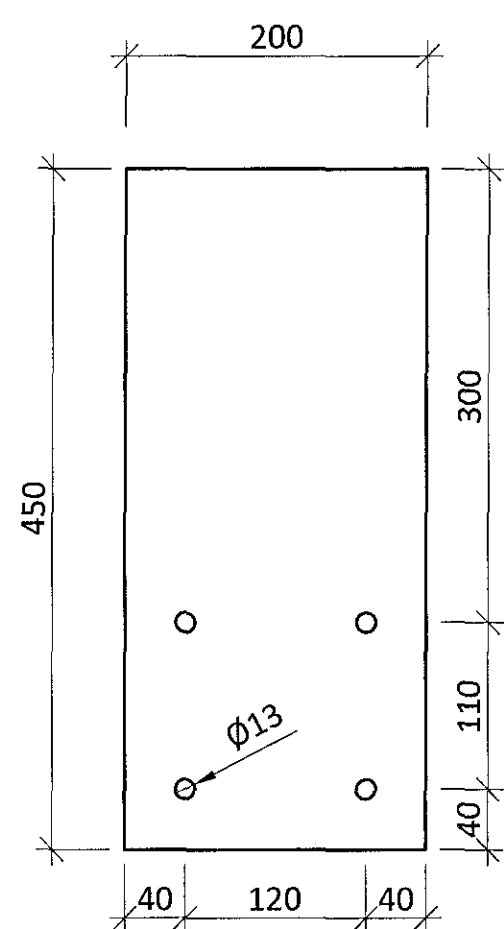
STEEL PLATE S041 - t=10mm - M1:5  
S355



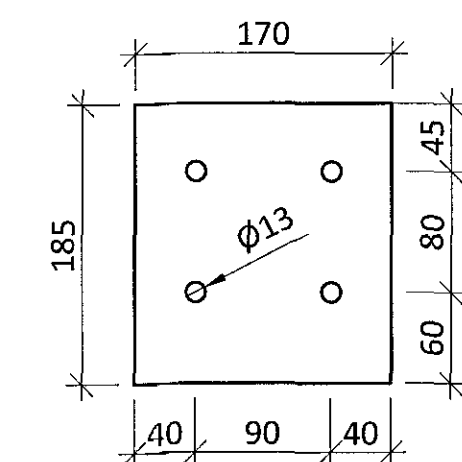
STEEL PLATE S042 - t=10mm - M1:5  
S355



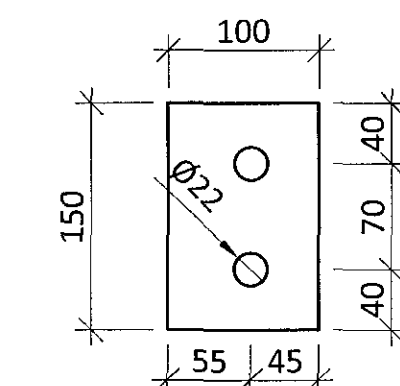
STEEL PLATE S043 - t=10mm - M1:5  
S355



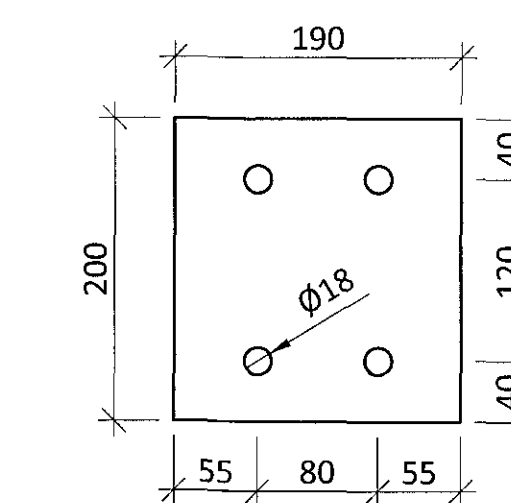
STEEL PLATE S044 - t=10mm - M1:5  
S355



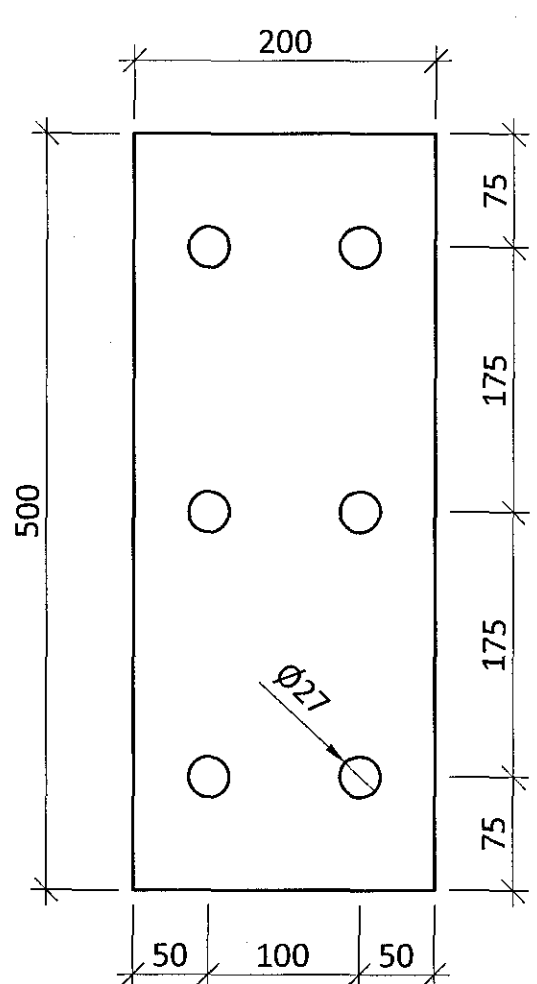
STEEL PLATE S045 - t=10mm - M1:5  
S355



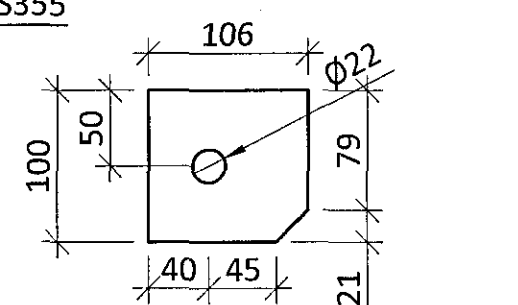
STEEL PLATE S046 - t=15mm - M1:5  
S355



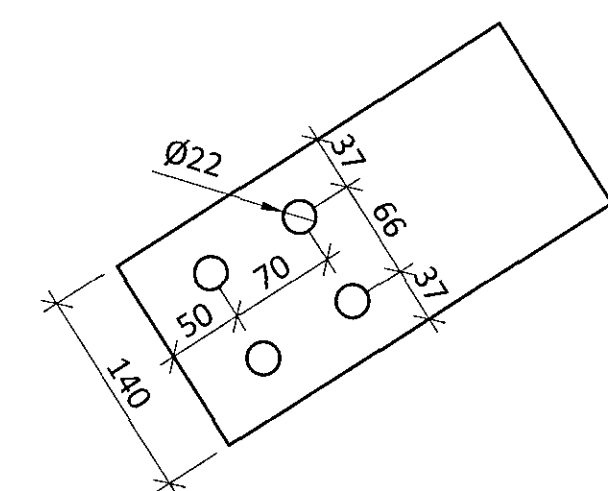
STEEL PLATE S047 - t=20mm - M1:5  
S355



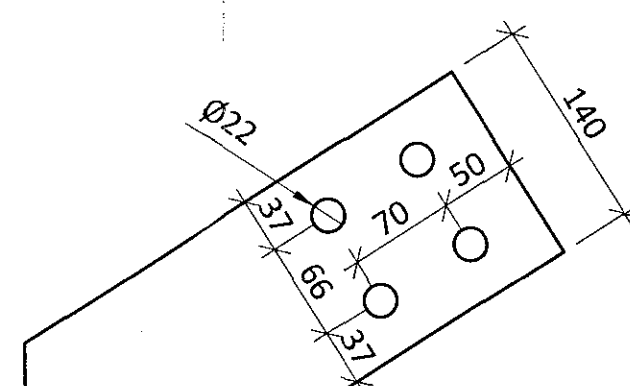
STEEL PLATE S048 - t=10mm - M1:5  
S355



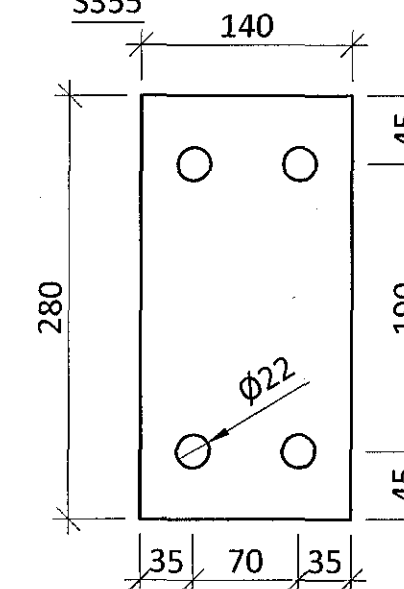
STEEL PLATE S050 - t=10mm - M1:5  
S355



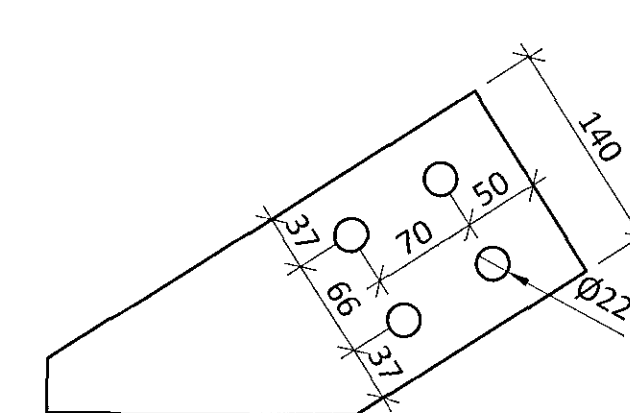
STEEL PLATE S051 - t=10mm - M1:5  
S355



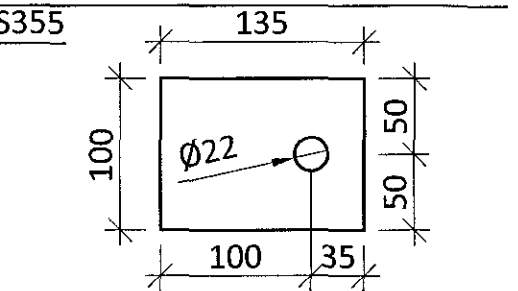
STEEL PLATE S052 - t=20mm - M1:5  
S355



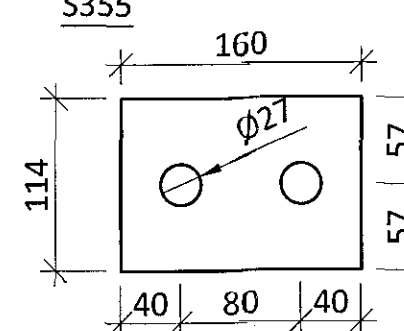
STEEL PLATE S053 - t=10mm - M1:5  
S355



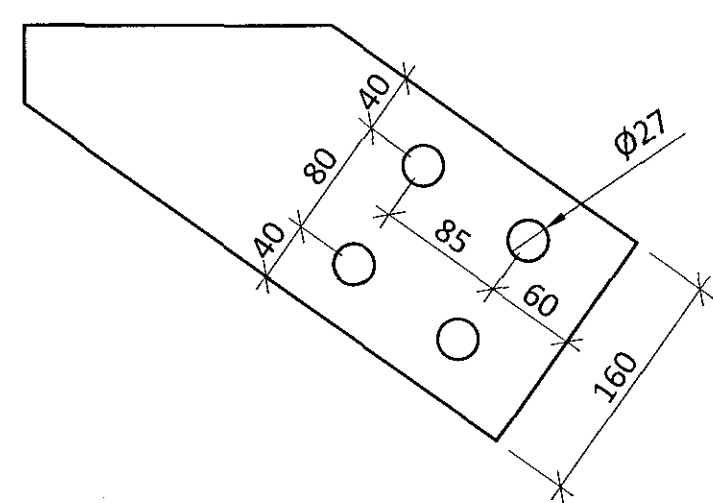
STEEL PLATE S049 - t=10mm - M1:5  
S355



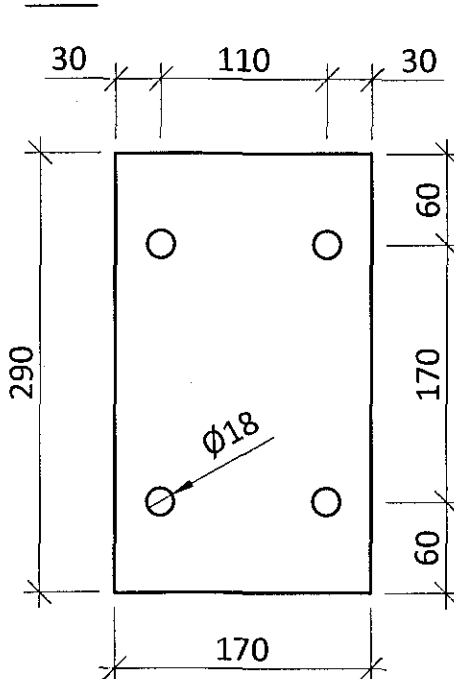
STEEL PLATE S054 - t=20mm - M1:5  
S355



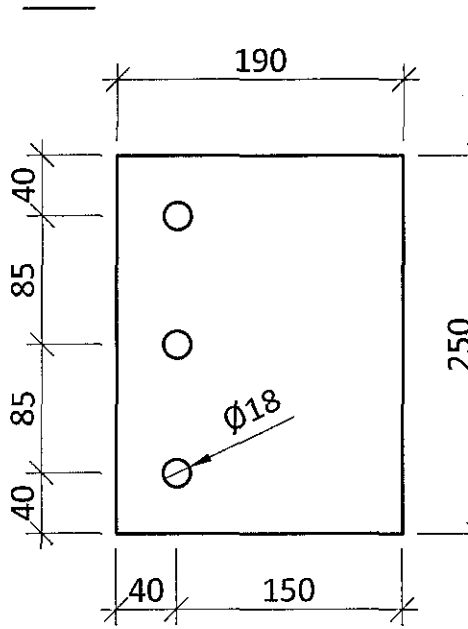
STEEL PLATE S055 - t=15mm - M1:5  
S355



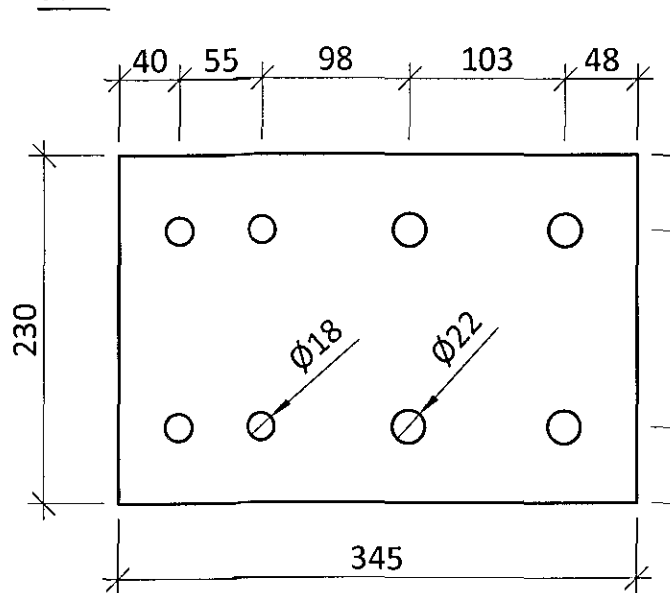
STEEL PLATE S056 - t=10mm - M1:5  
S355



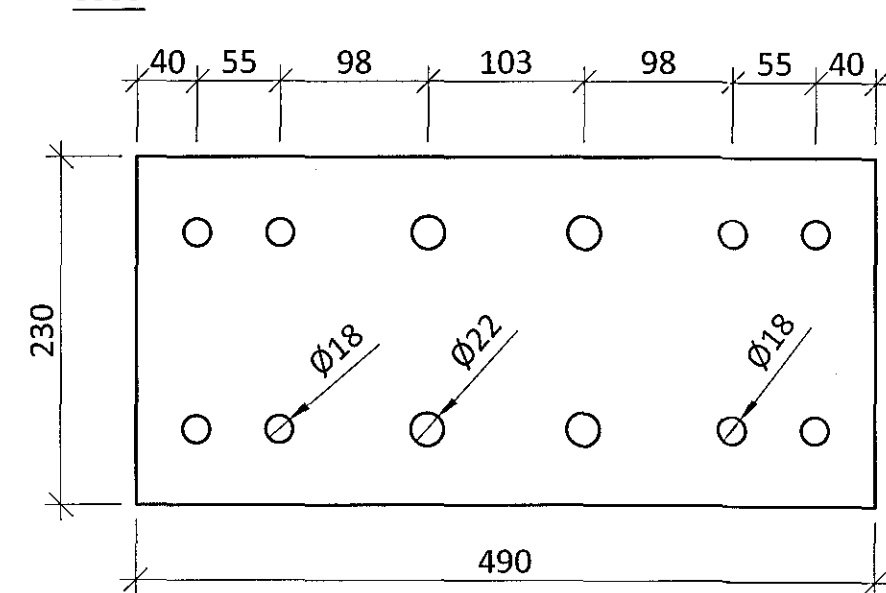
STEEL PLATE S057 - t=15mm - M1:5  
S355



STEEL PLATE S058 - t=10mm - M1:5  
S355



STEEL PLATE S059 - t=10mm - M1:5  
S355



ARITUN BYGGINGARFULLTRÚA  
26 MAJ 2017

BR.	DAGS.	BREYTING	SAMP.

**ferill**  
VERKFRÆÐISTOFA

FLUGVELLIR 1 HAFNARFIRÐI  
FLIGHT SIMULATOR BUILDING  
STEEL STRUCTURE  
STEEL PLATES

SAMPYKKT: *Boði Einarsson* KT. 760172-3879

HÖNNUÐUR	YFIRÁRÍÐ	DAGS. ÚTÍ.	DAGS. BREYT.
pó thorri@ferill.is	SB	04.04.17	
MKV.	VERKNR.	TEKNI. NÚL.	BREYTI.
1:10	14014	1 - 2562	

Ferill ehf. Mörkin 1. 108 Reykjavík. Sími: 575 1600. Fax: 575 1601. www.ferill.is