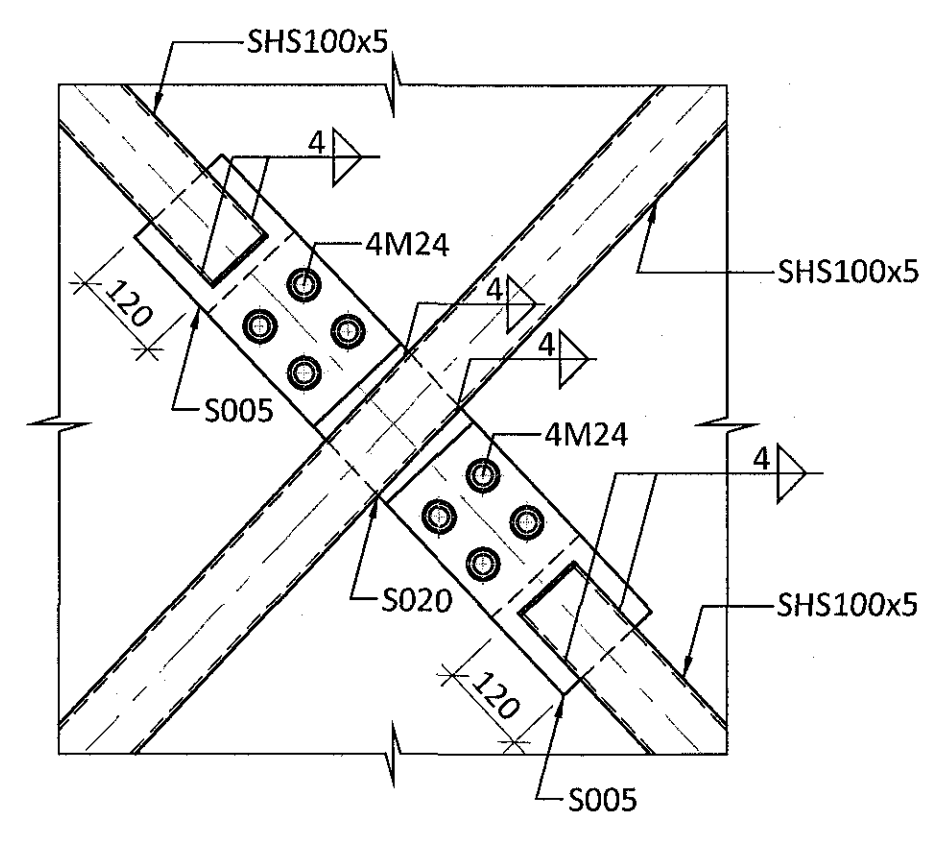
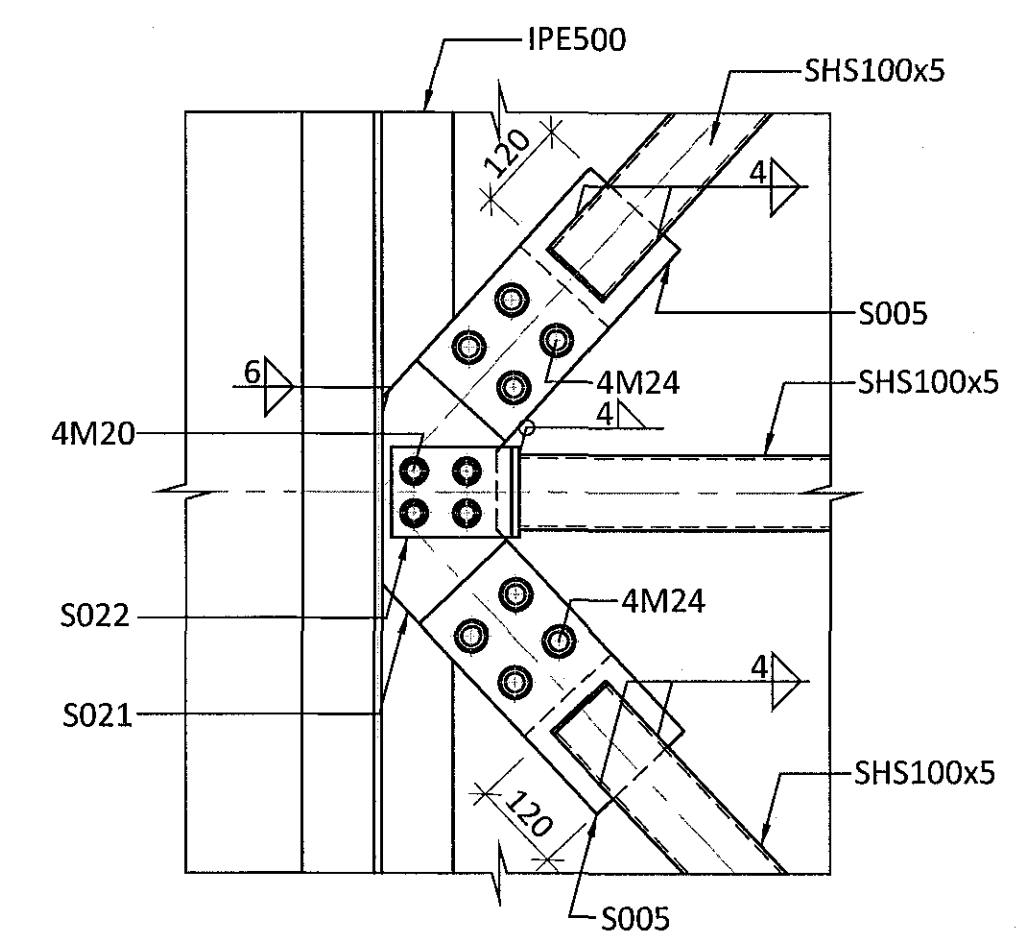


Sampykkt þann
26 MAY 2017
Byggingarfulltrúinn í Hafnarfirði
F.h. Sigurður Steinar Jónsson

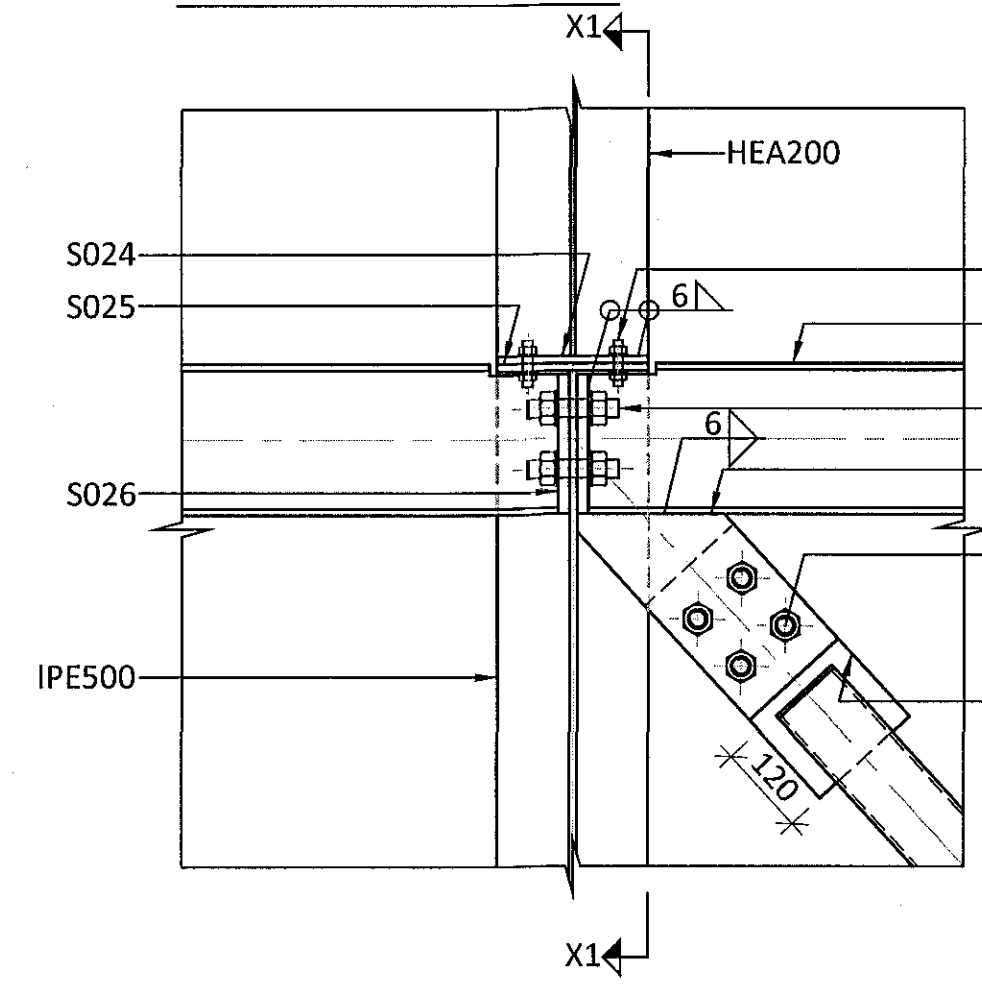
CONNECTION F20 TYP. - M1:10



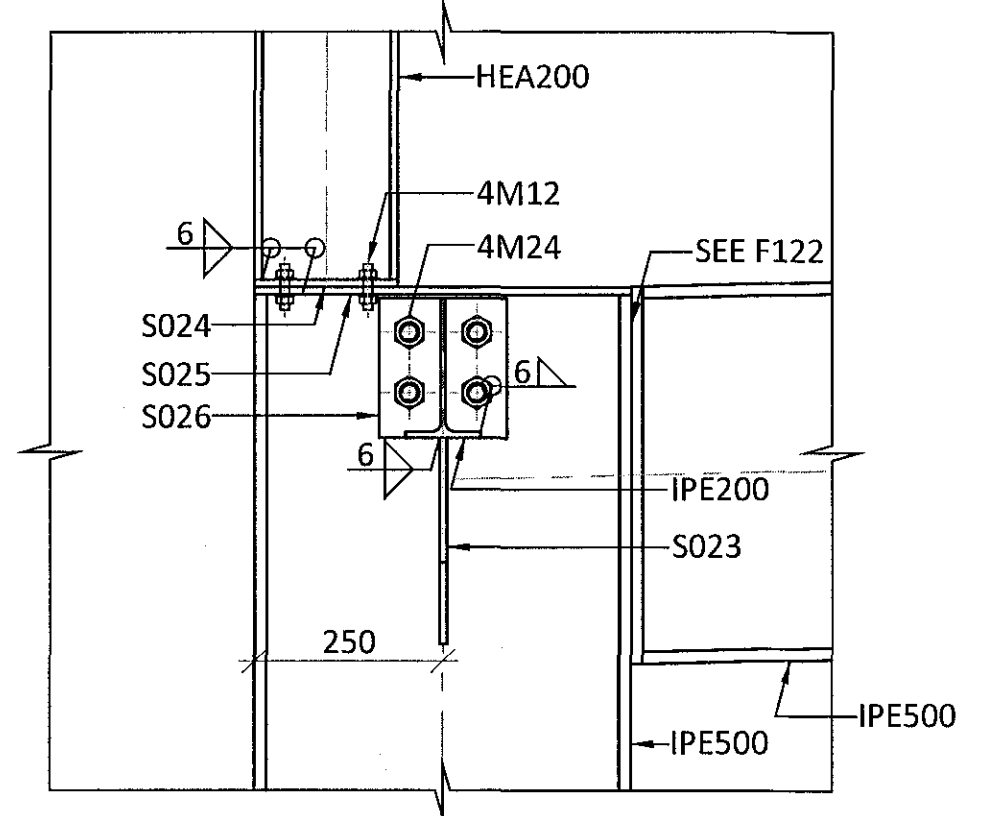
CONNECTION F21 TYP. - M1:10



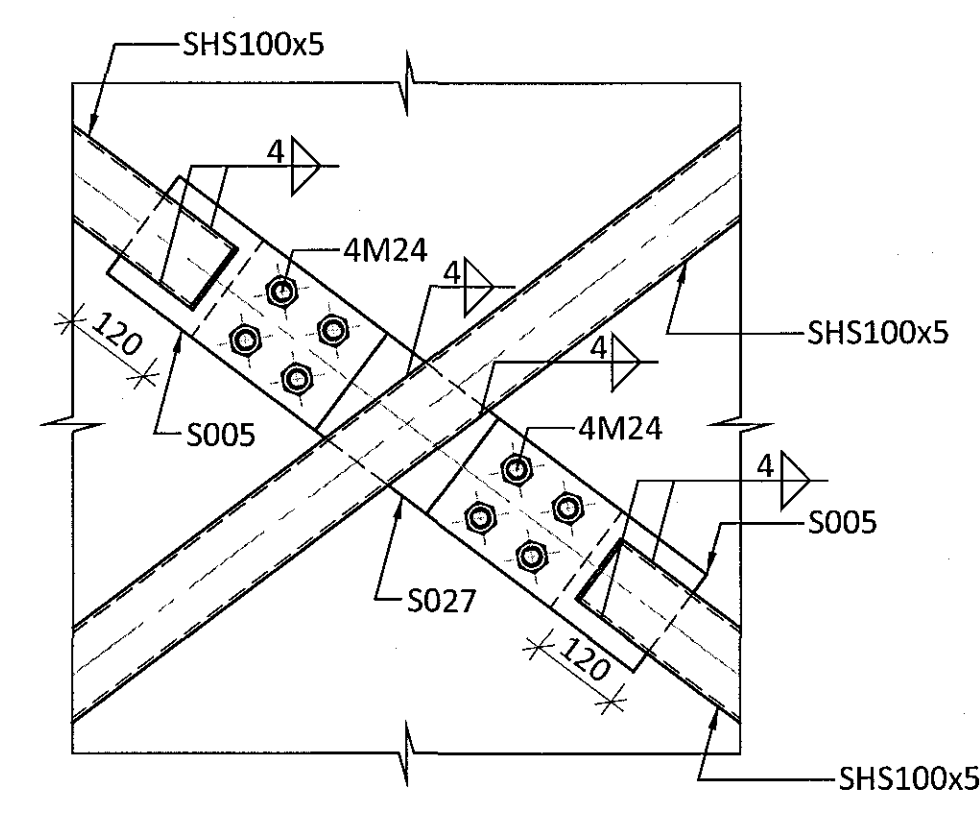
CONNECTION F22 TYP. - M1:10



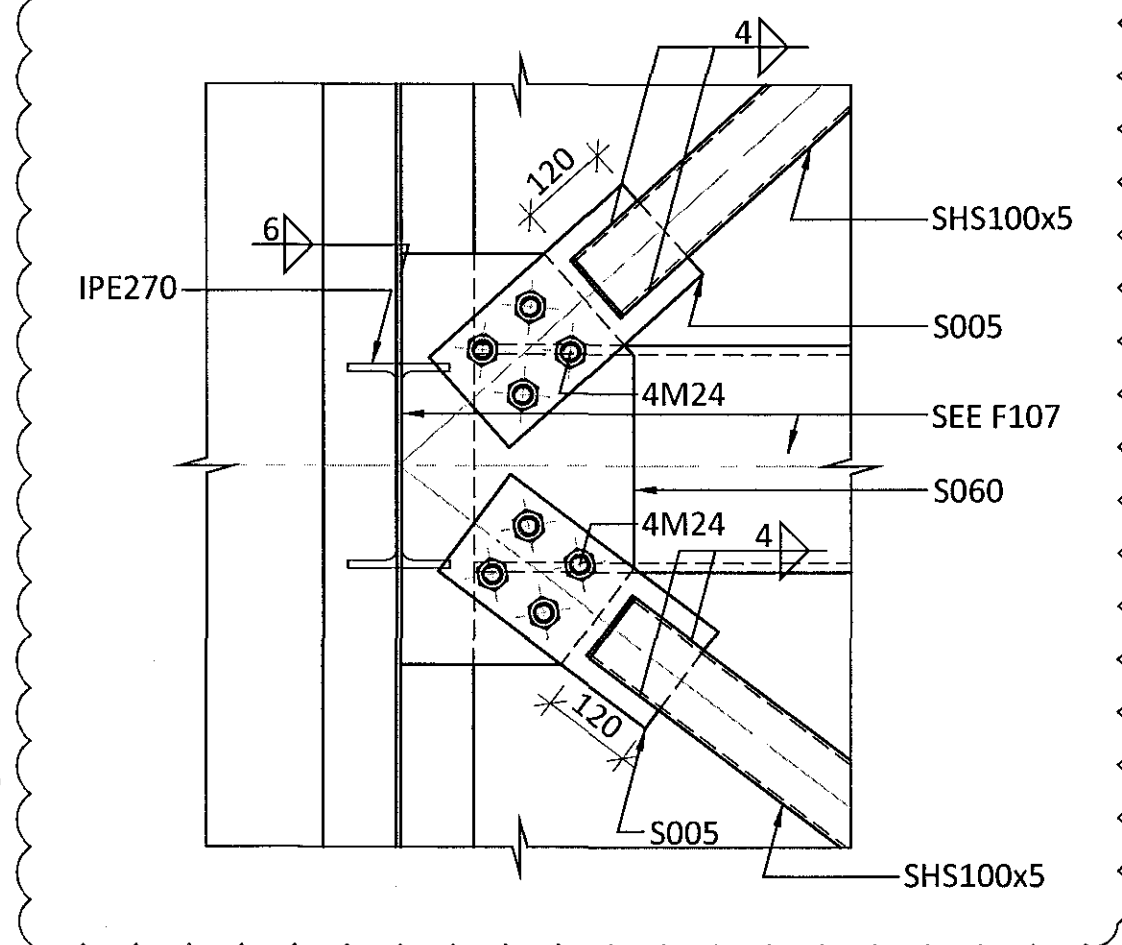
SECTION X1-X1 - M1:10



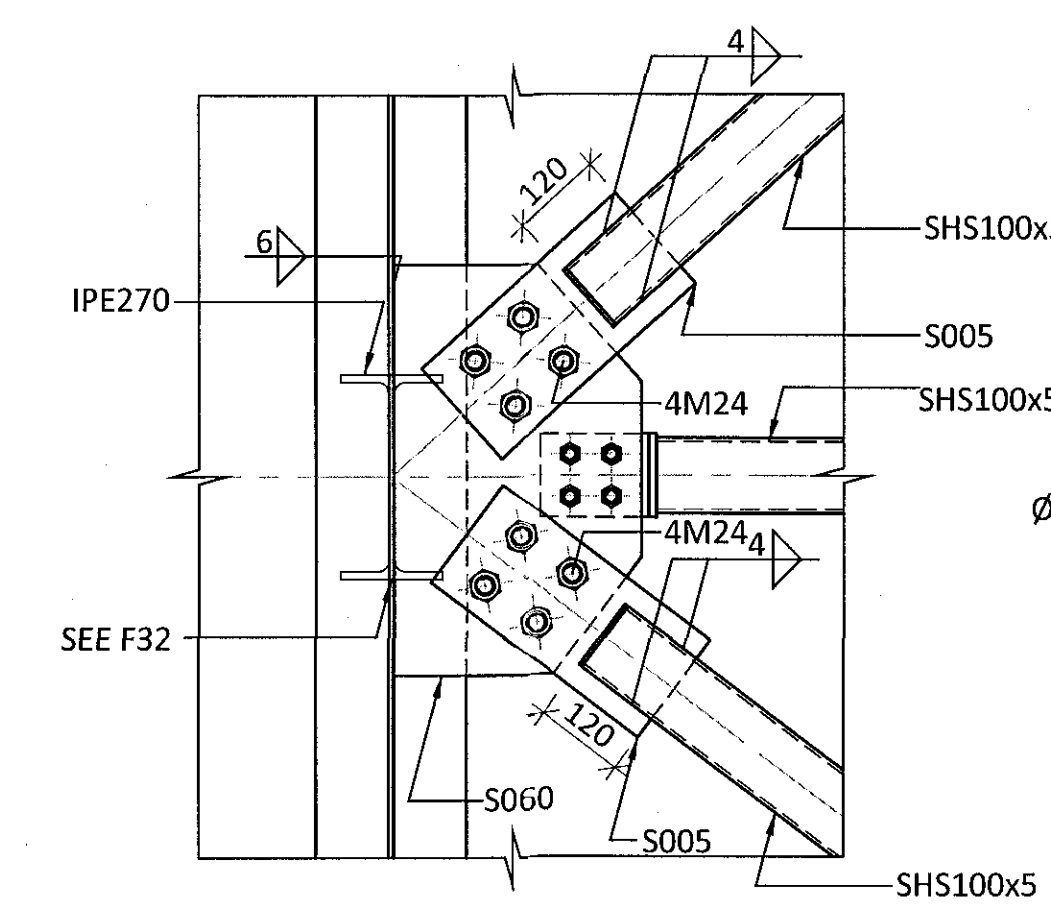
CONNECTION F23 TYP. - M1:10



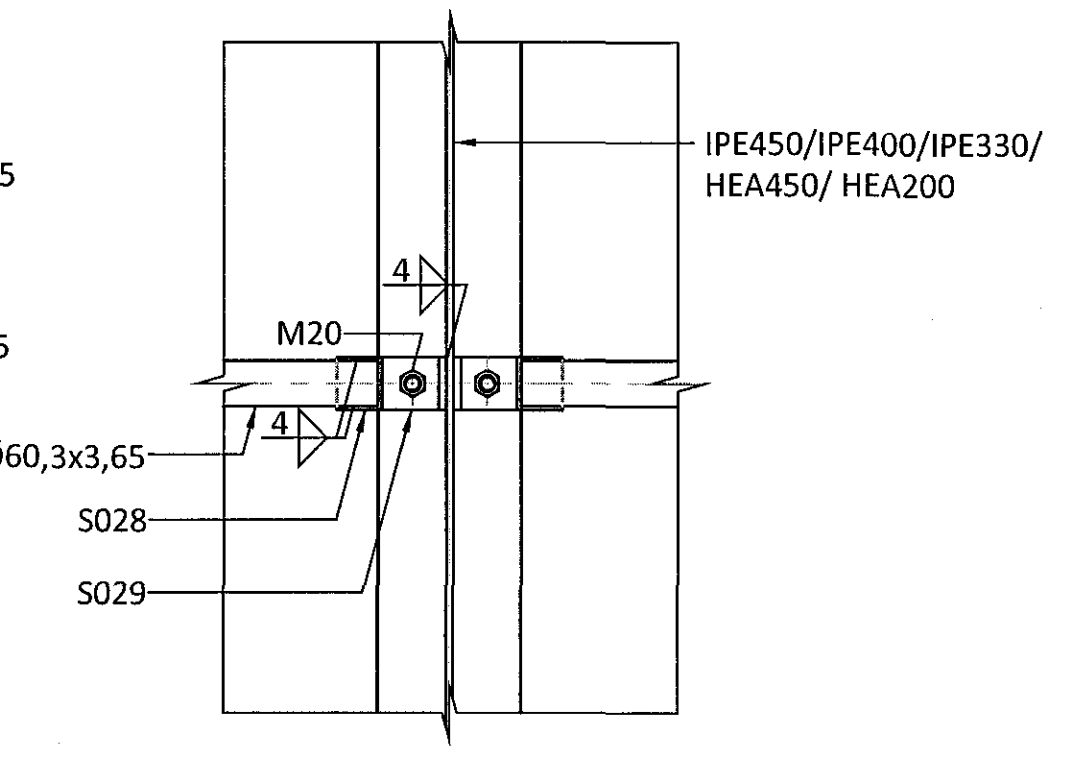
CONNECTION F24 TYP. - M1:10



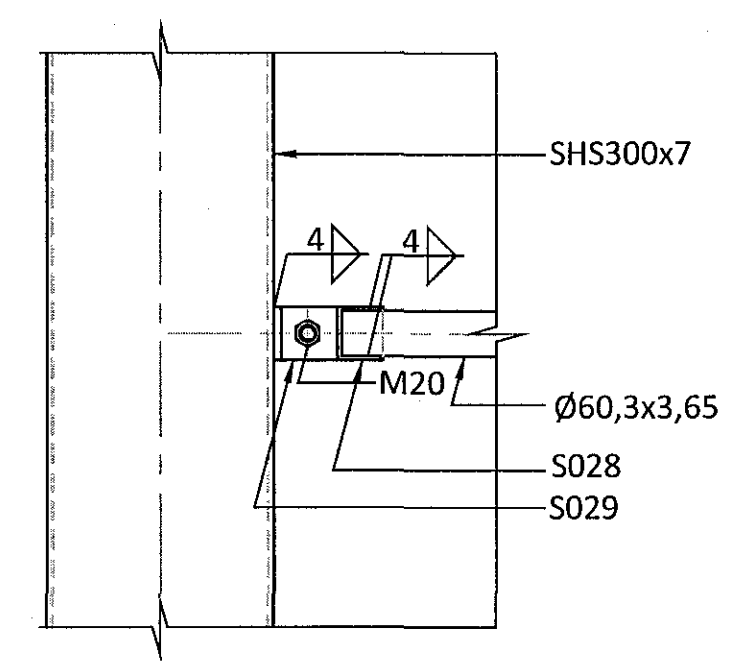
CONNECTION F25 TYP. - M1:10



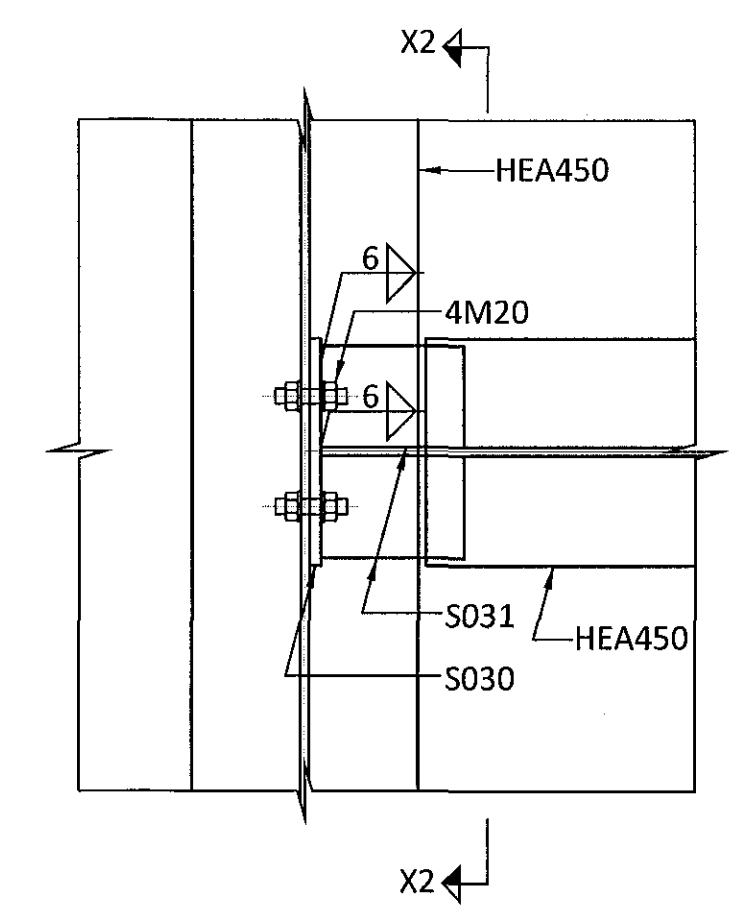
CONNECTION F26 TYP. - M1:10



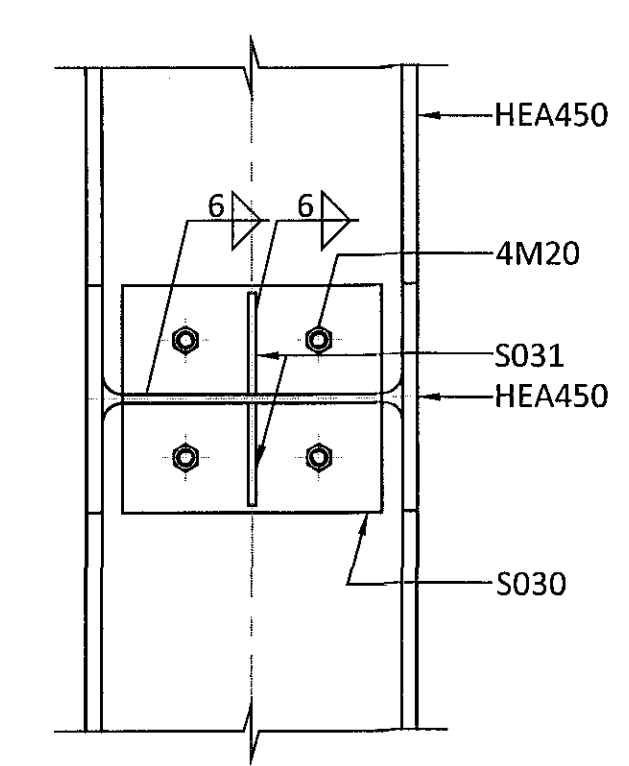
CONNECTION F27 - M1:10



CONNECTION F28 - M1:10



SECTION X2-X2 - M1:10



ÁRITUN BYGGINGARFULLTRÚA
thorri@ferill.is

03.05.17 UNP300 PROFILES RAISED BY 25mm

ferill
VERKFRÆÐISTOFA

FLUGVELLIR 1 HAFNARFIRÐI
FLIGHT SIMULATOR BUILDING
STEEL STRUCTURE CONNECTIONS

HÖNNUÐUR: PÓ thorri@ferill.is
YFIRFARID: SB
DAGS. ÚTG.: 04.04.17
DAGS. BREYT.: 03.05.17
MKV.: 1:10
VERKNR.: 14014
TEIKN. NR.: 1 - 2551
BREYTI: A

Ferill ehf. Mörkin 1 108 Reykjavík Sími: 575 1600 Fax: 575 1601 www.ferill.is