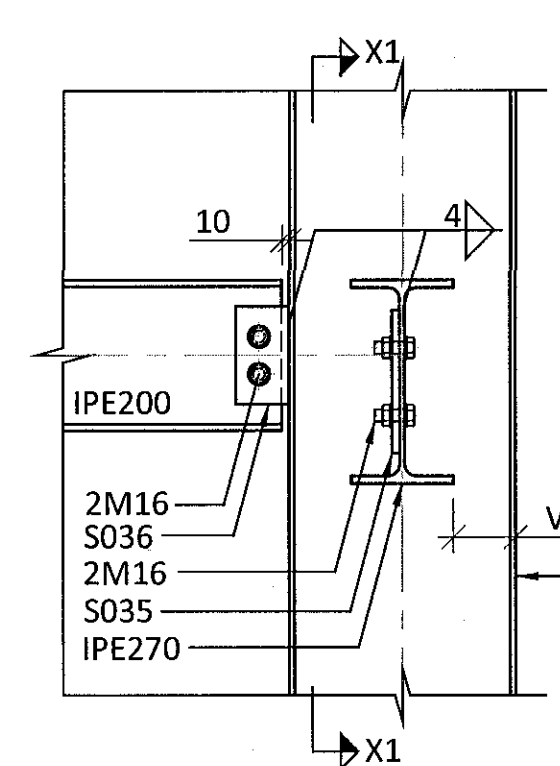
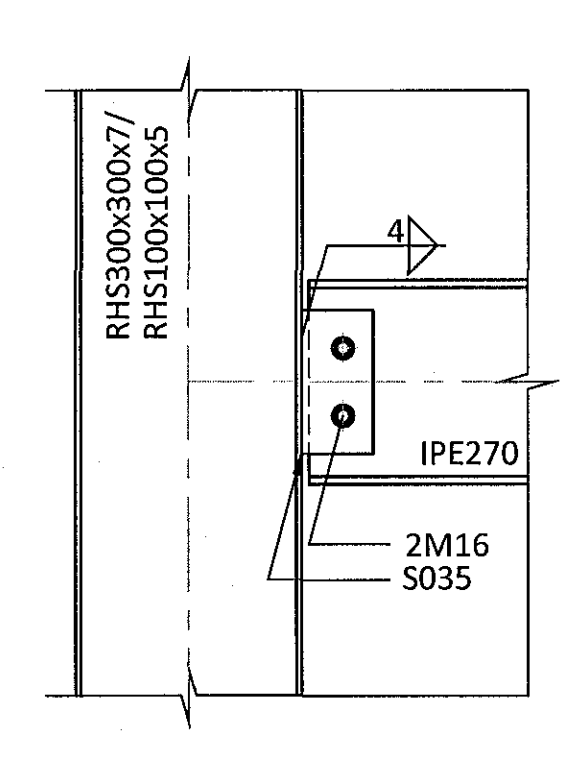


ARITUN BYGGINGARFULLTRUA  
 17.03.017 10.05.2017  
 Samþykkt þann  
 26 MAY 2017  
 Byggingarfulltrúinn í Hafnarfirði  
 F.h. Sigurður Steinar Jónsson

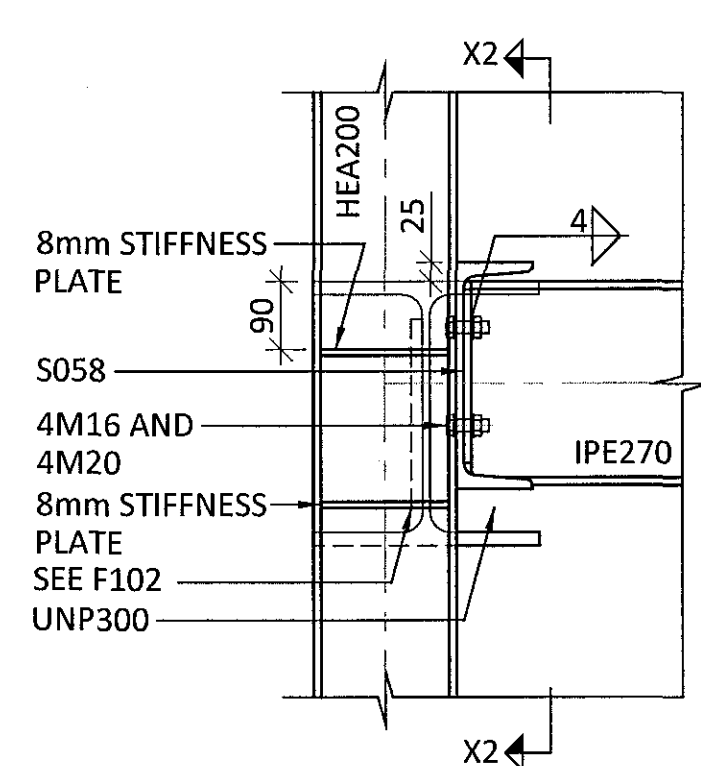
CONNECTION F100 TYP. - M1:10



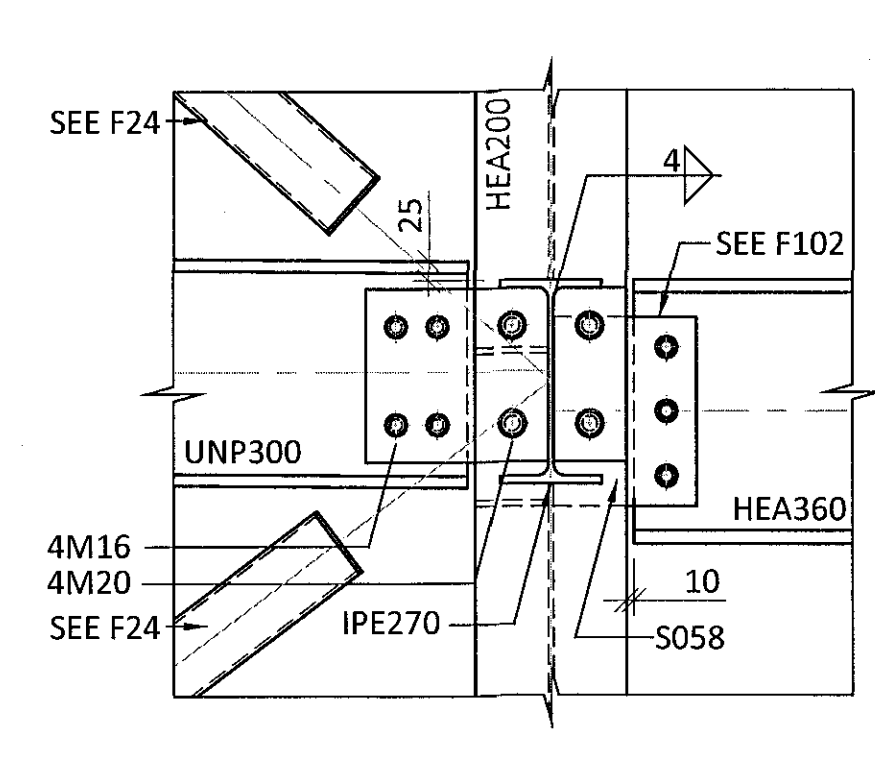
SECTION X1-X1 - M1:10



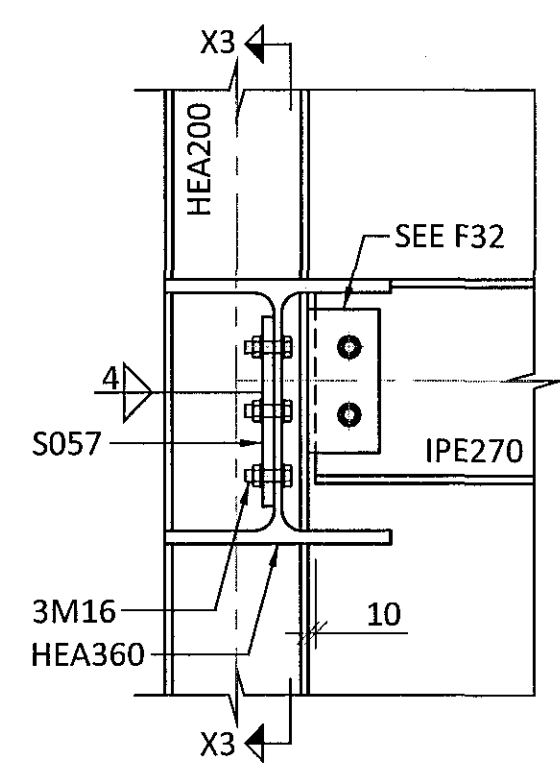
CONNECTION F101 - M1:10



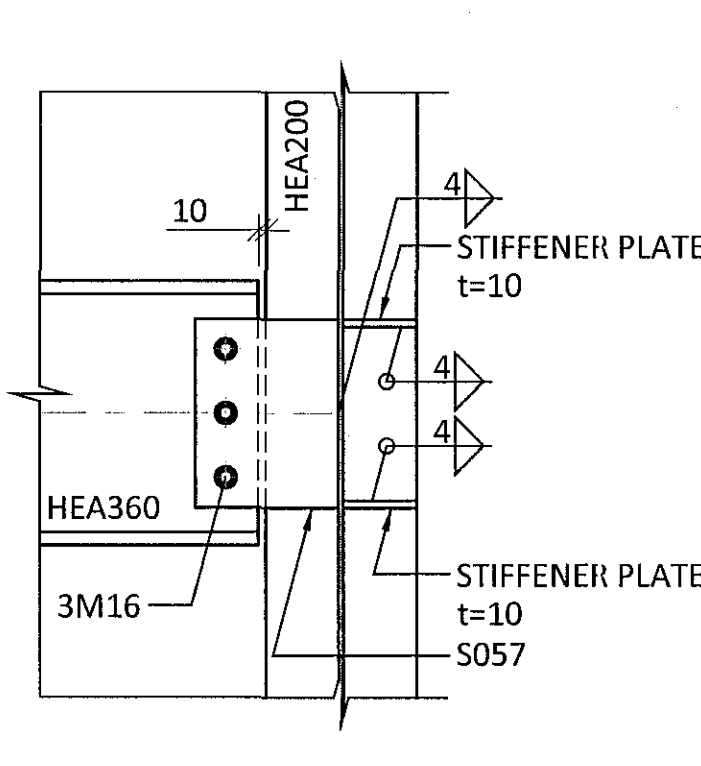
SECTION X2-X2 - M1:10



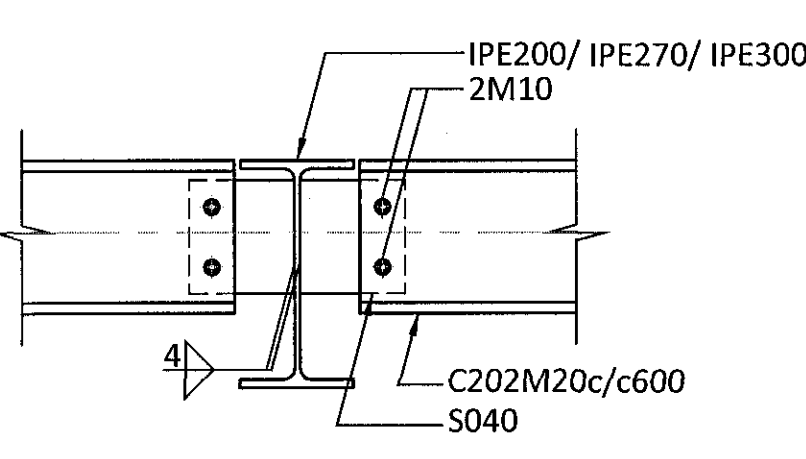
CONNECTION F102 - M1:10



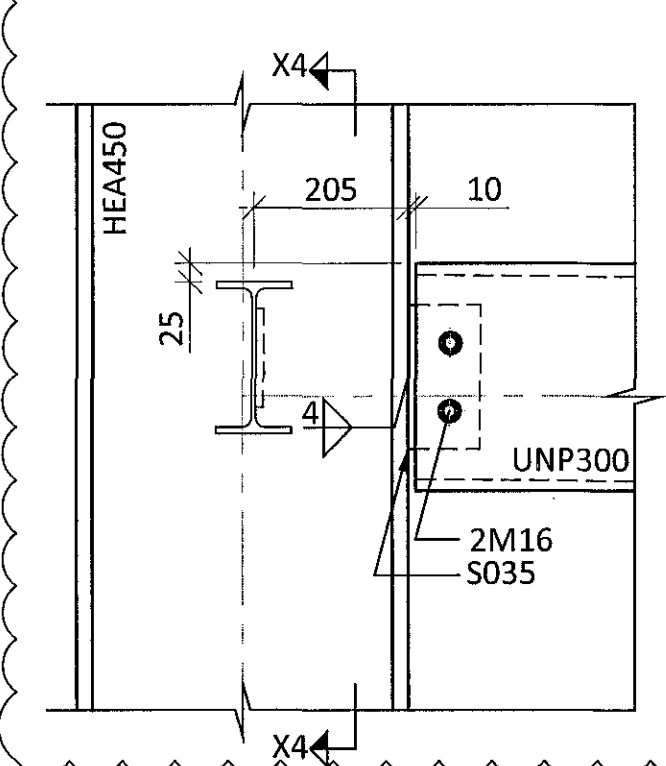
SECTION X3-X3 - M1:10



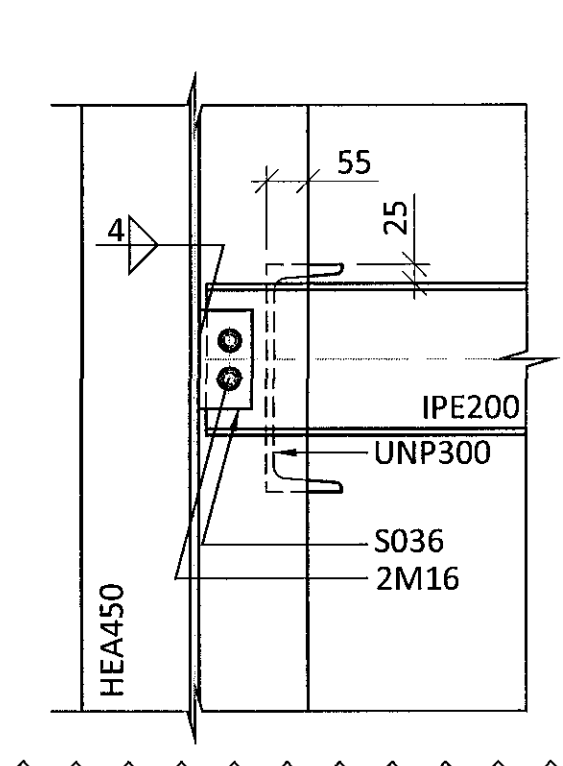
CONNECTION F103 TYP. - M1:10



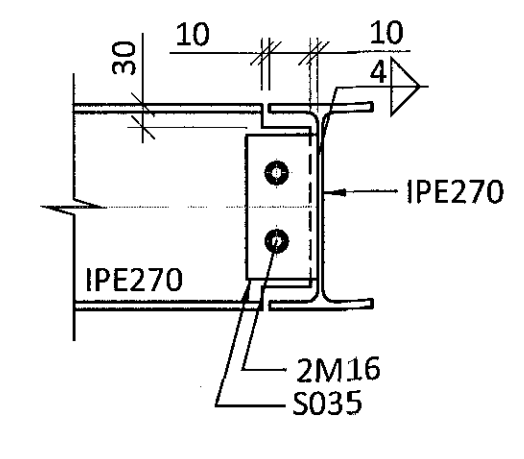
CONNECTION F104 - M1:10



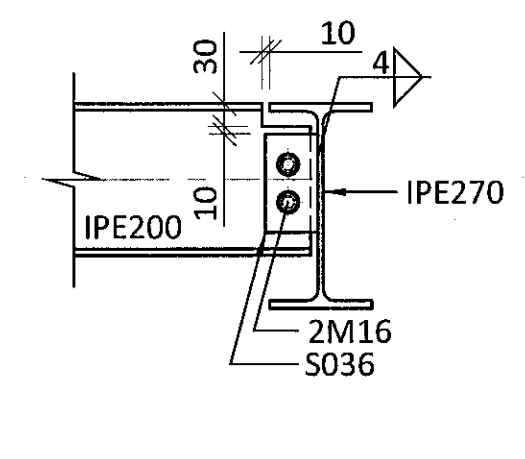
SECTION X4-X4 - M1:10



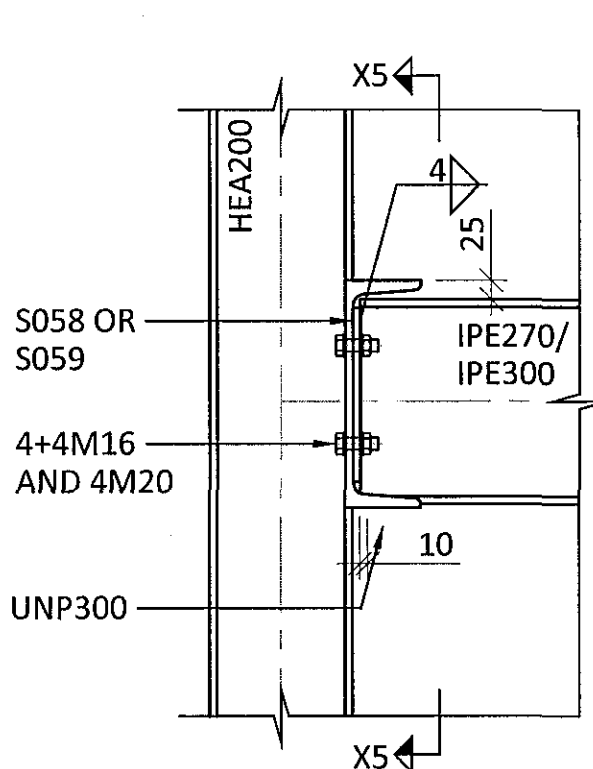
CONNECTION F105 - M1:10



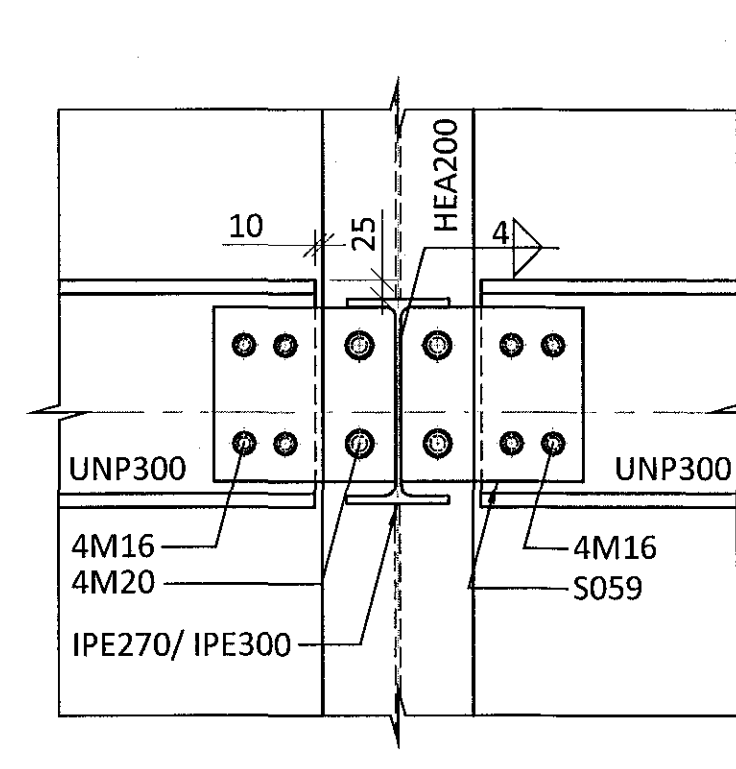
CONNECTION F106 - M1:10



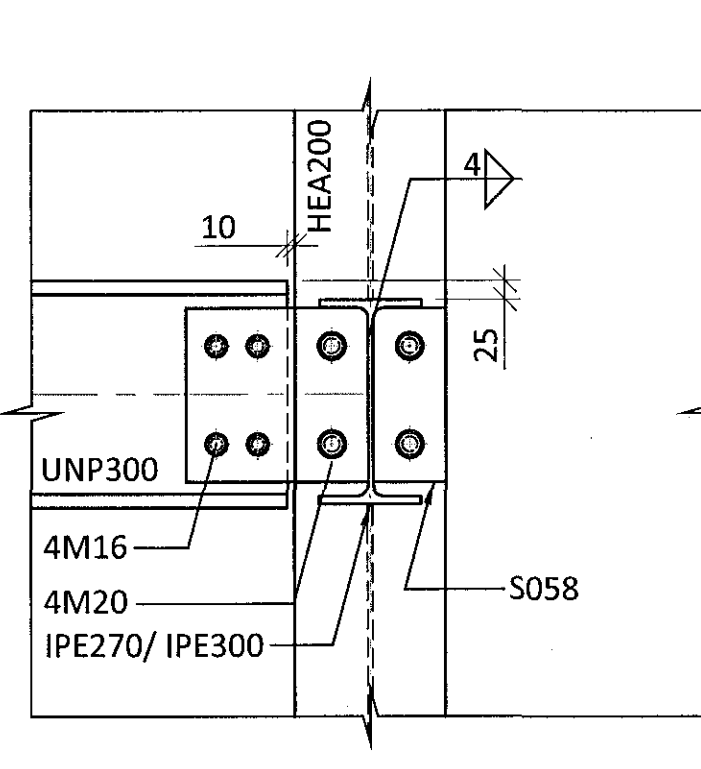
CONNECTION F107 TYP. - M1:10



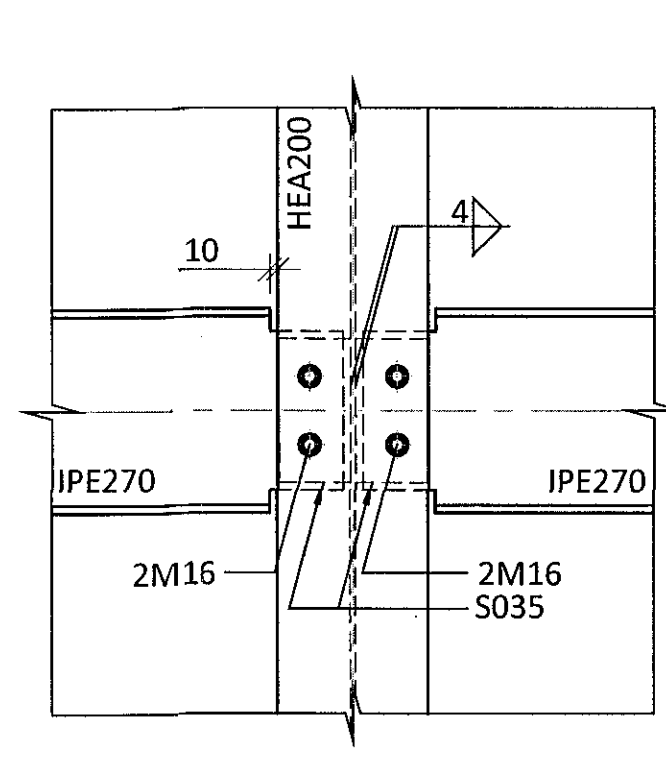
SECTION X5-X5 - M1:10



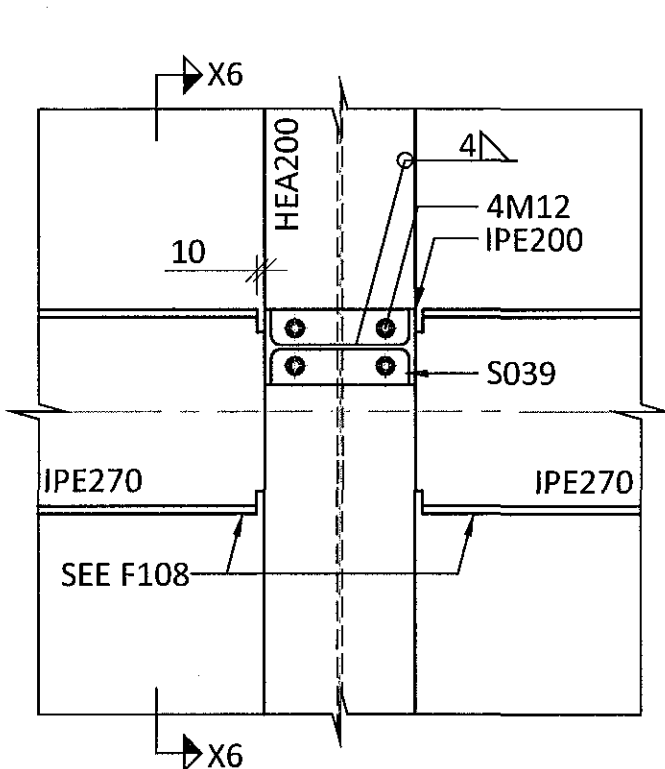
OR:



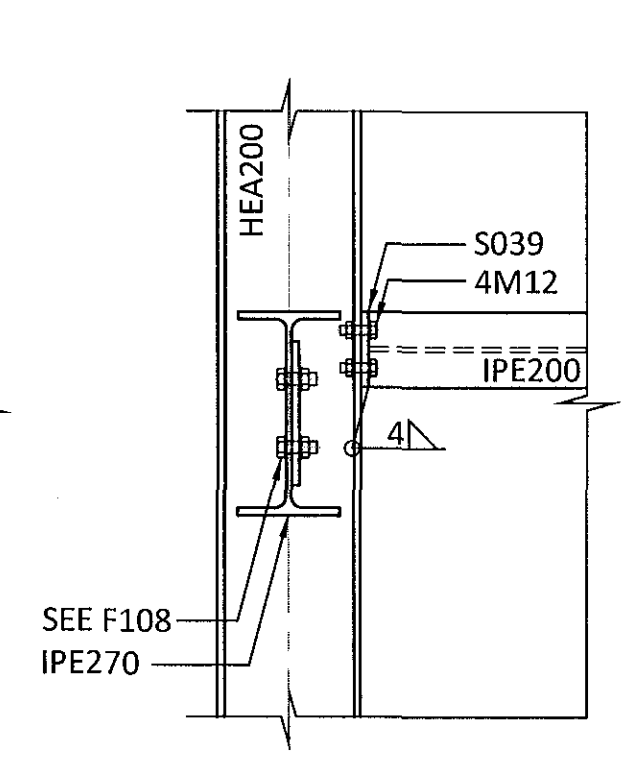
CONNECTION F108 - M1:10



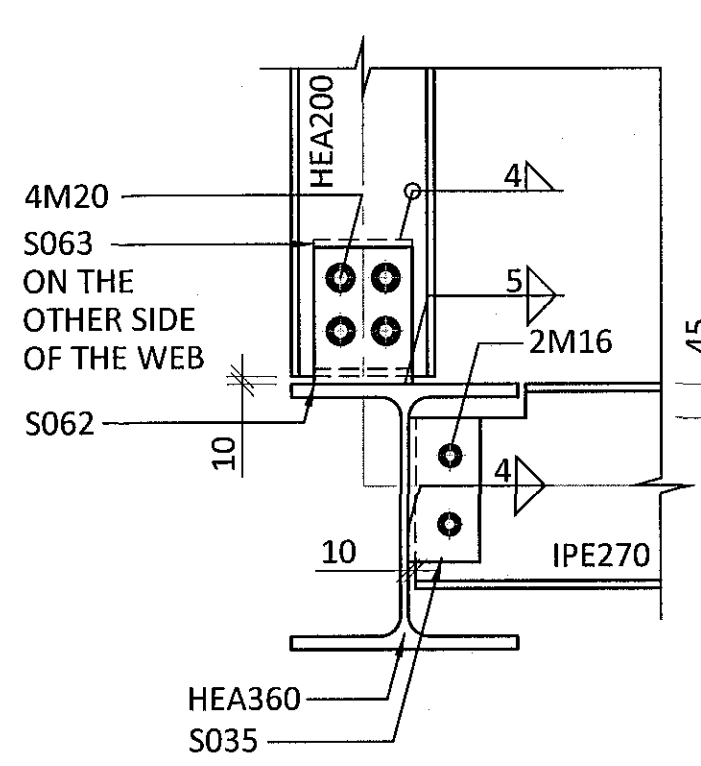
CONNECTION F109 TYP. - M1:10



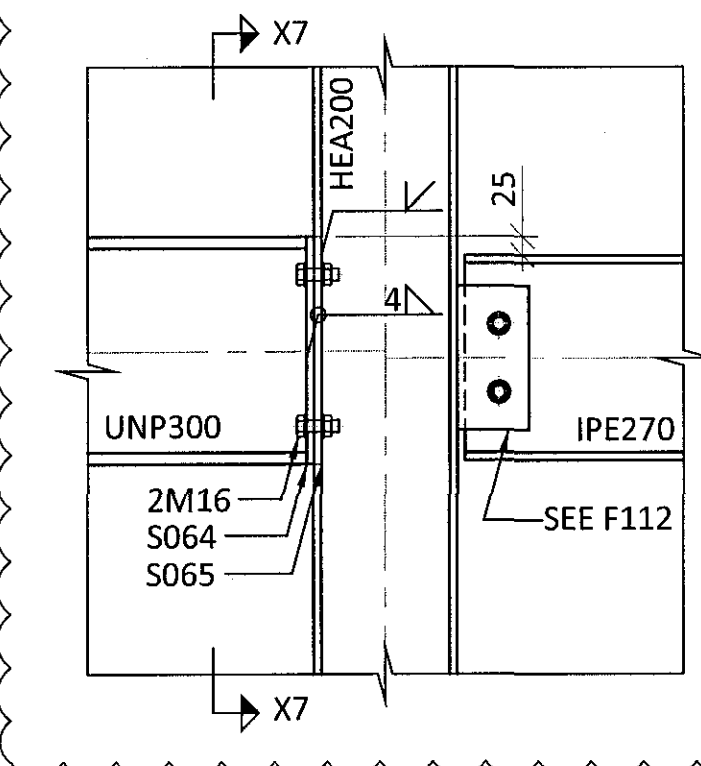
SECTION X6-X6 - M1:10



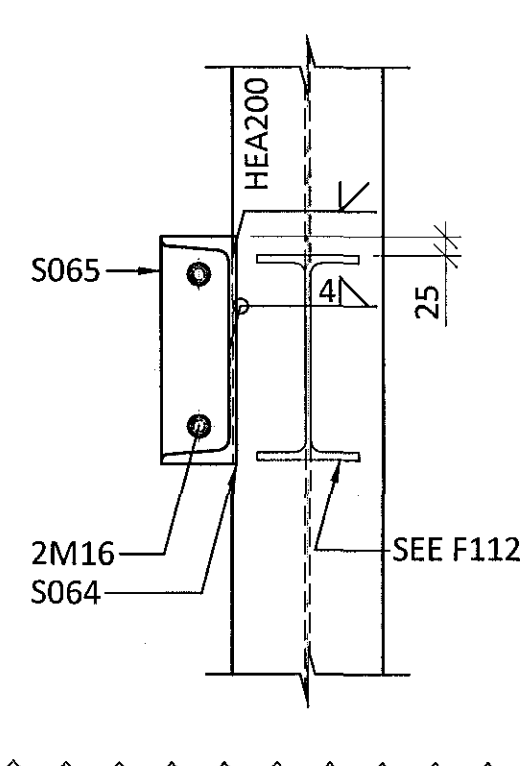
CONNECTION F110 - M1:10



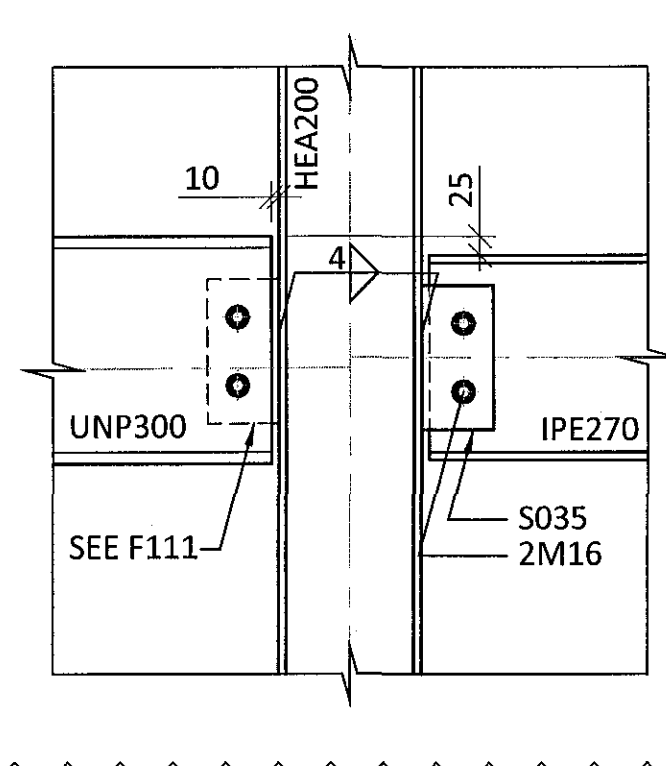
CONNECTION F111 - M1:10



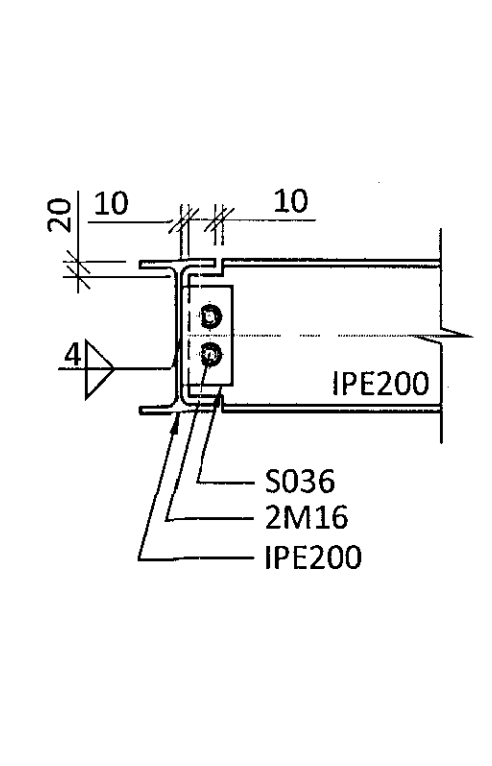
SECTION X7-X7 - M1:10



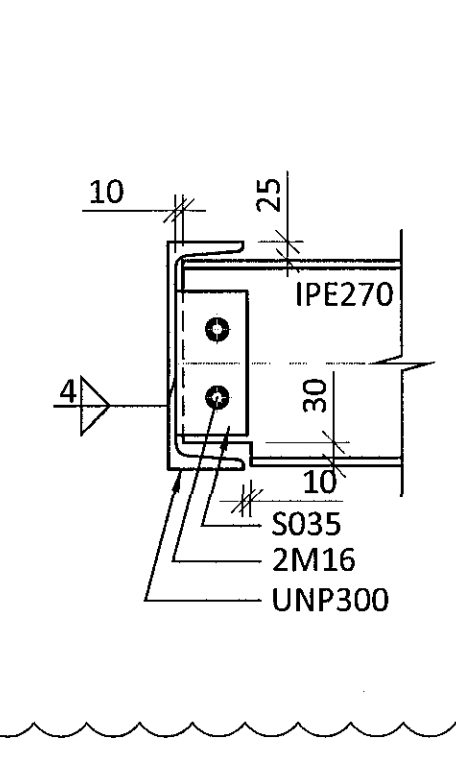
CONNECTION F112 - M1:10



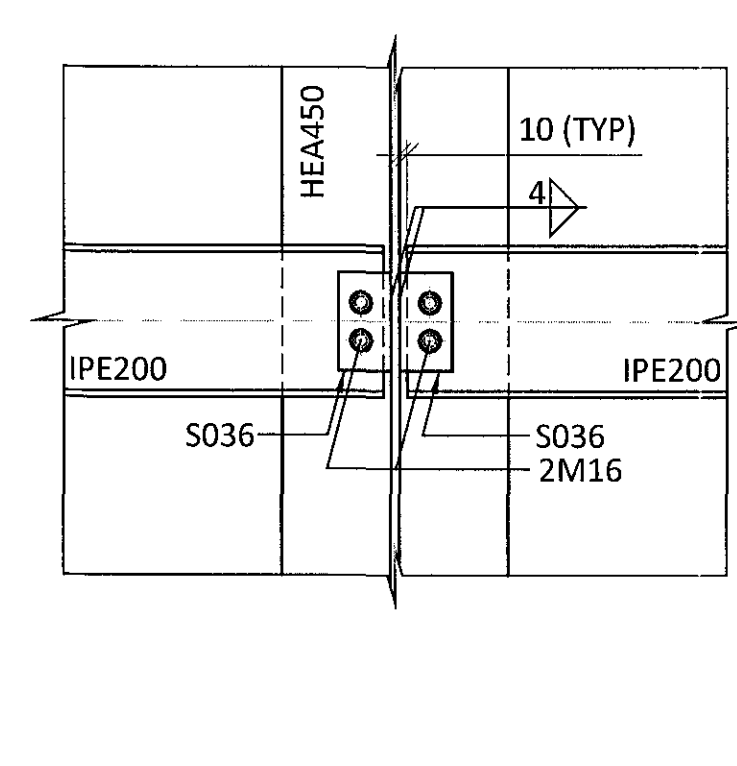
CONNECTION F113 - M1:10



CONNECTION F114 - M1:10



CONNECTION F115 - M1:10



V:\Flugvellir\1\Teikningar\1-BURDARPOL\14014-1-2550.dwg

ARITUN BYGGINGARFULLTRUA		17.03.017 10.05.2017	
SAMPYKKT		26 MAY 2017	
Byggingarfulltrúinn í Hafnarfirði			
F.h. Sigurður Steinar Jónsson			
A 03.05.17 UNP300 PROFILES RAISED BY 25mm			
BR.	DAGS.	BREYTING	SAMP.
ferill		VERKFRÆÐISTOFA	
FLUGVELLIR 1		HAFNARFIRÐI	
FLIGHT SIMULATOR BUILDING		STEEL STRUCTURE CONNECTIONS	
SAMPYKKT: <i>[Signature]</i>			
HÖNNUÐUR	YFRFARIR	DAGS. ÚTGF.	DAGS. BREYTT
PÓ	SB	04.04.17	03.05.17
MKV.	VERKNR.	TEIKN. NR.	BREYTT.
1:10	14014	1 - 2553	A
Ferill ehf. Mörkin 1 108 Reykjavík Sími: 575 1600 Fax: 575 1601 www.ferill.is			