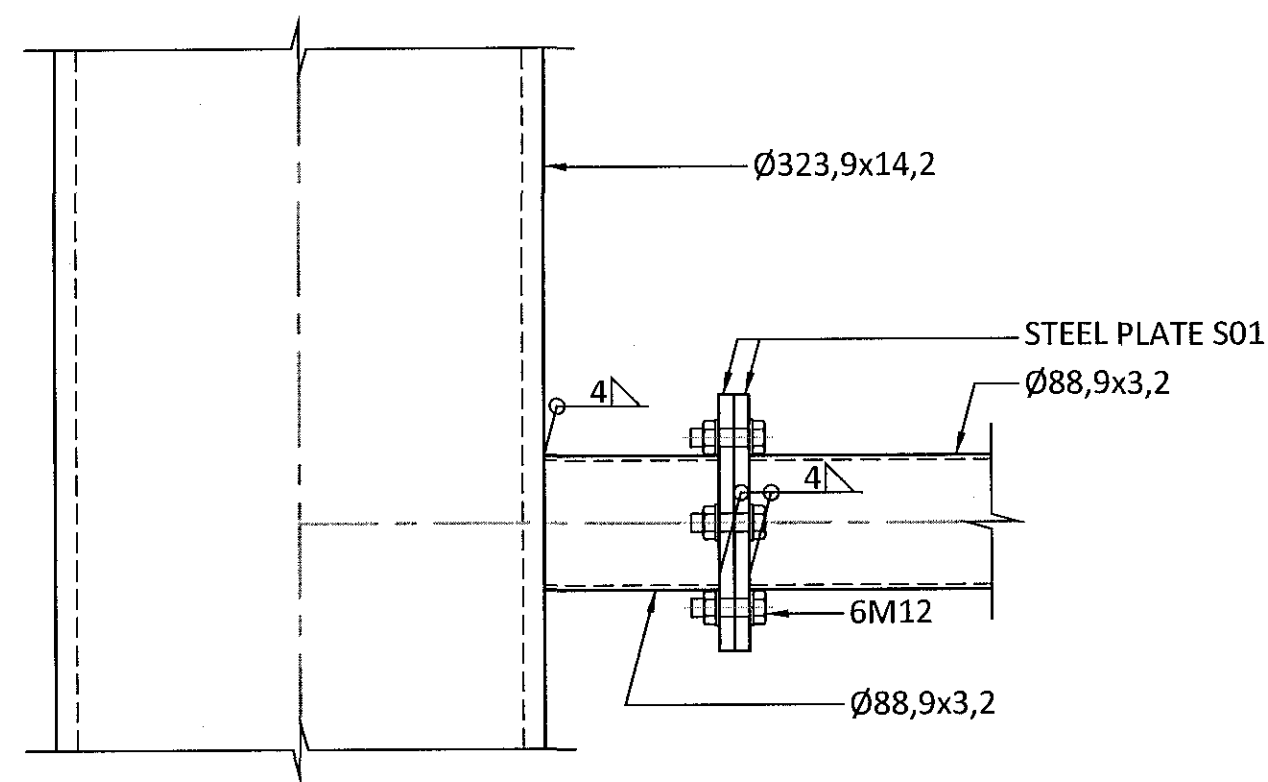
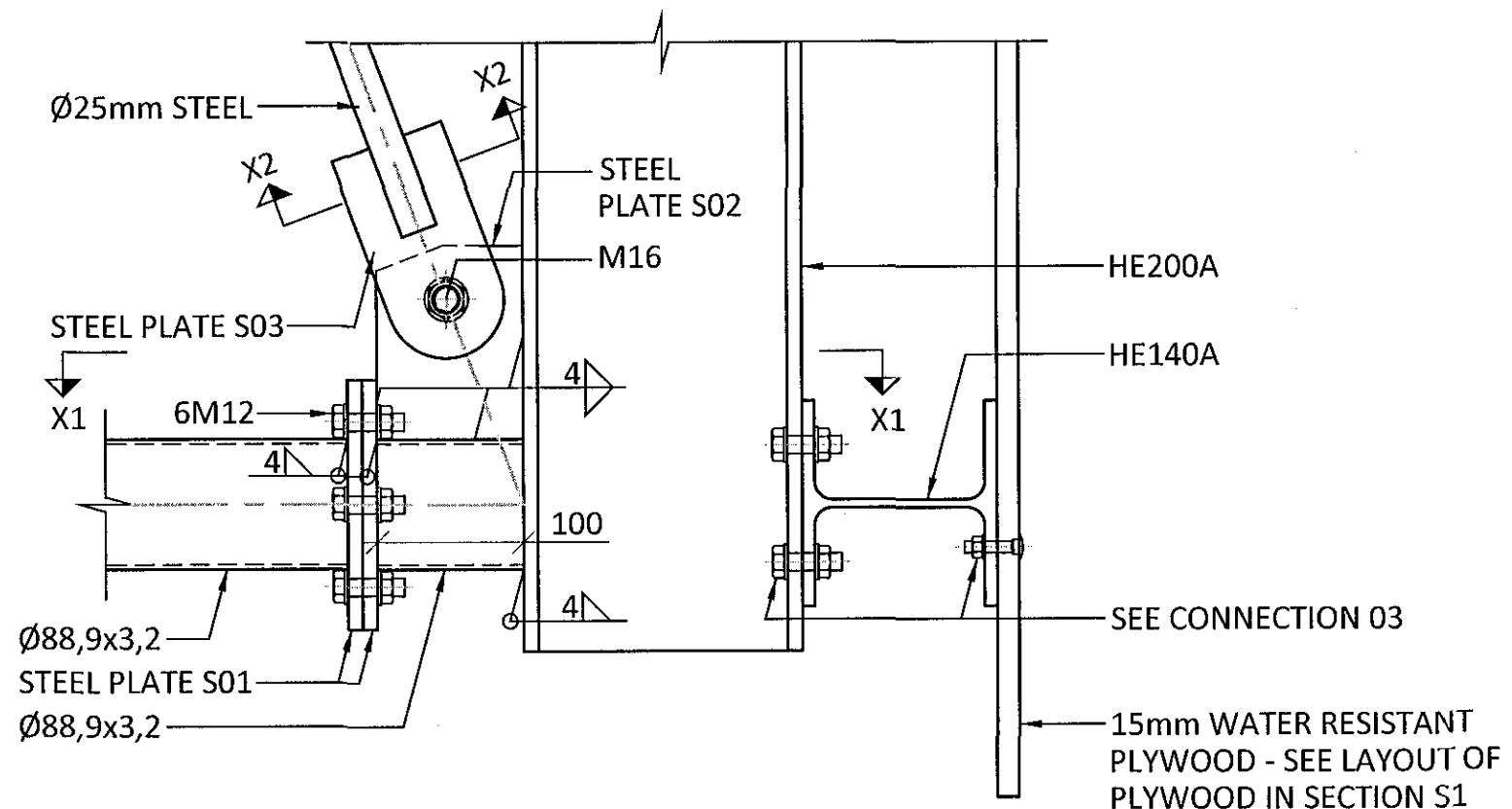


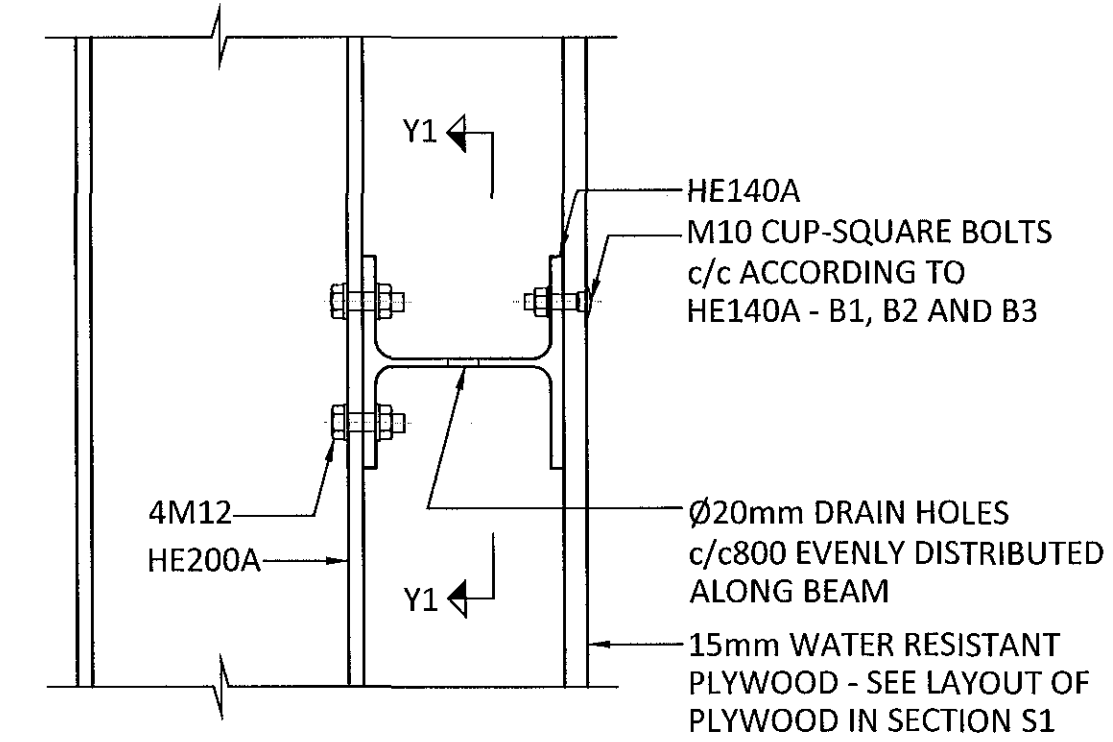
01 SCALE - M1:5



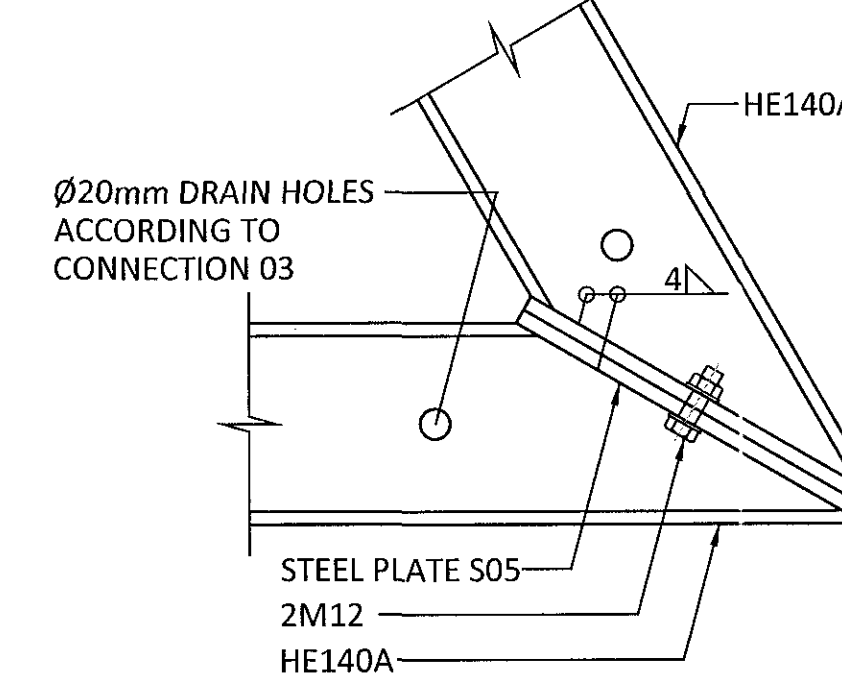
02 SCALE - M1:5



03 SCALE - M1:5



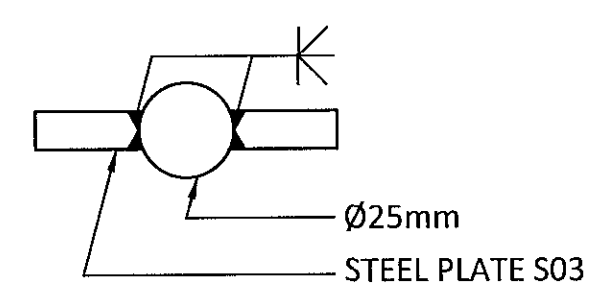
04 SCALE - M1:5



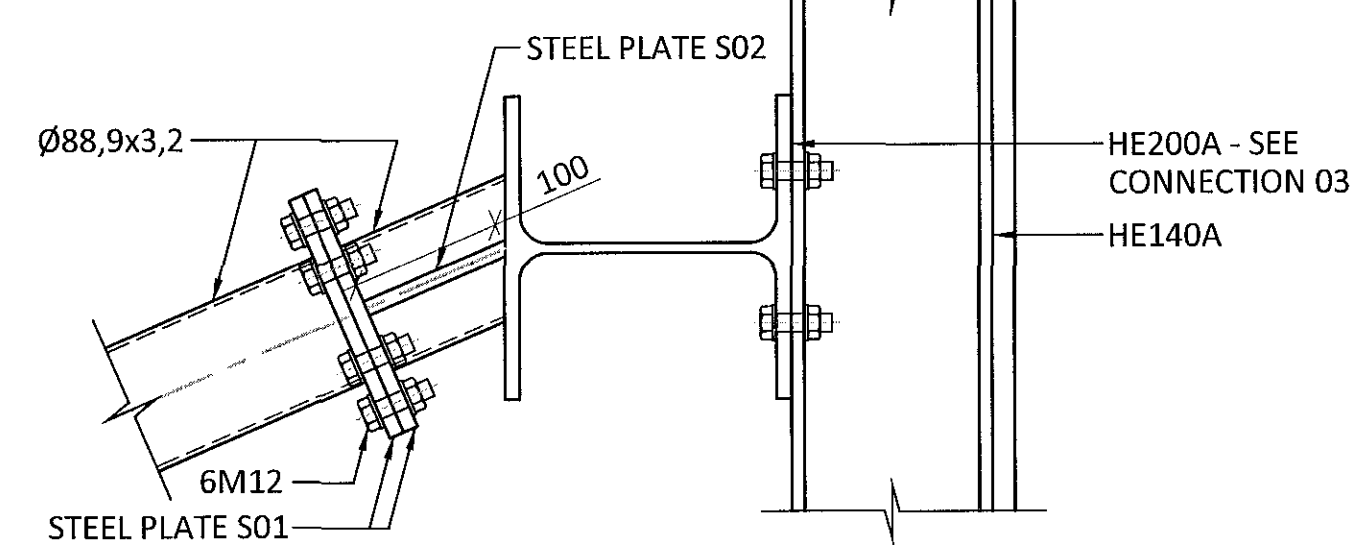
GENERAL NOTES FOR STEEL STRUCTURE:

- SEE DRAWING 1-5010 FOR GENERAL NOTES

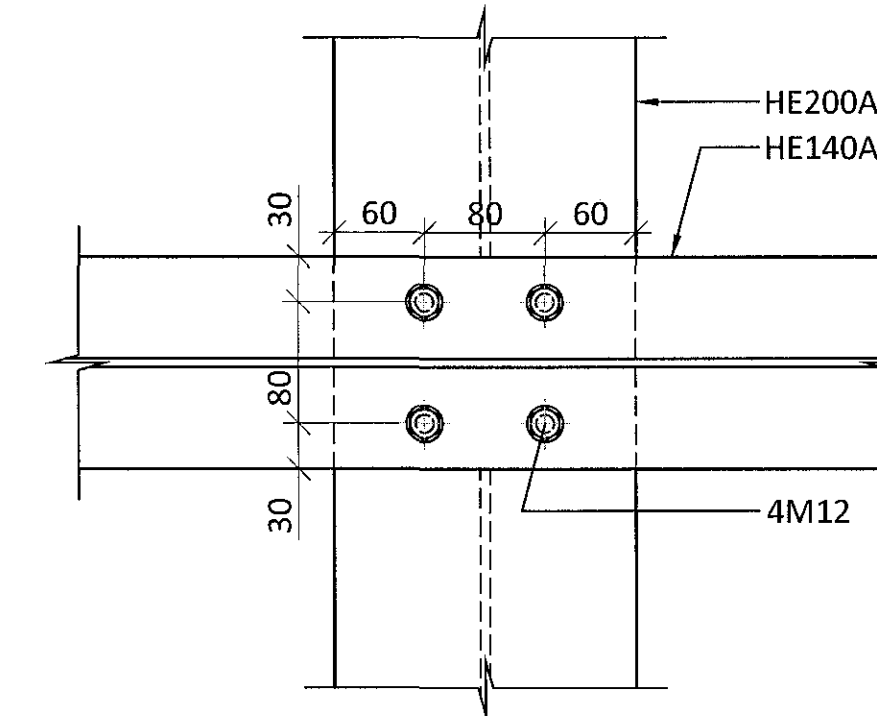
SECTION X2-X2 - M1:2



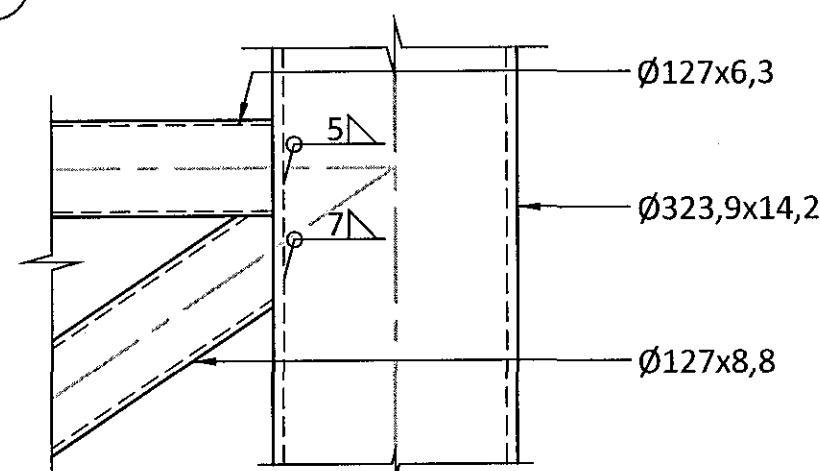
SECTION X1-X1 - M1:5



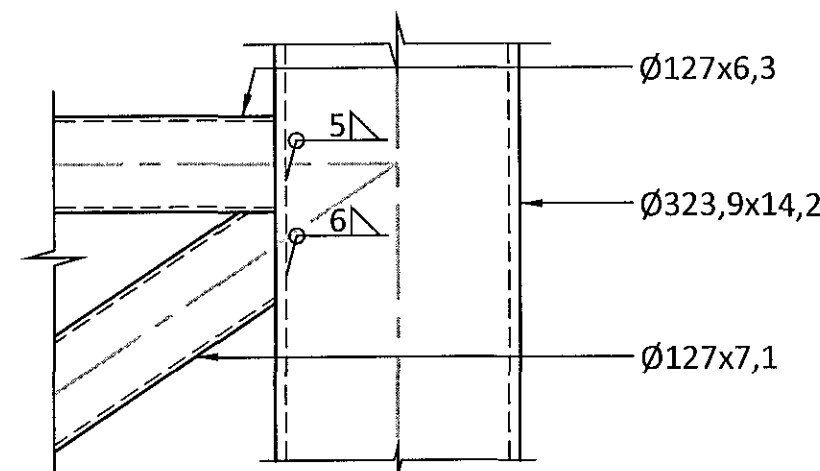
SECTION Y1-Y1 - M1:5



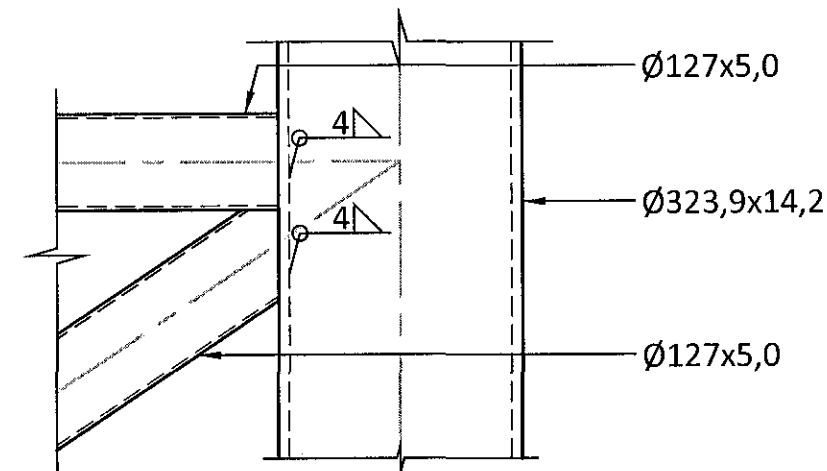
05 SCALE - M1:10



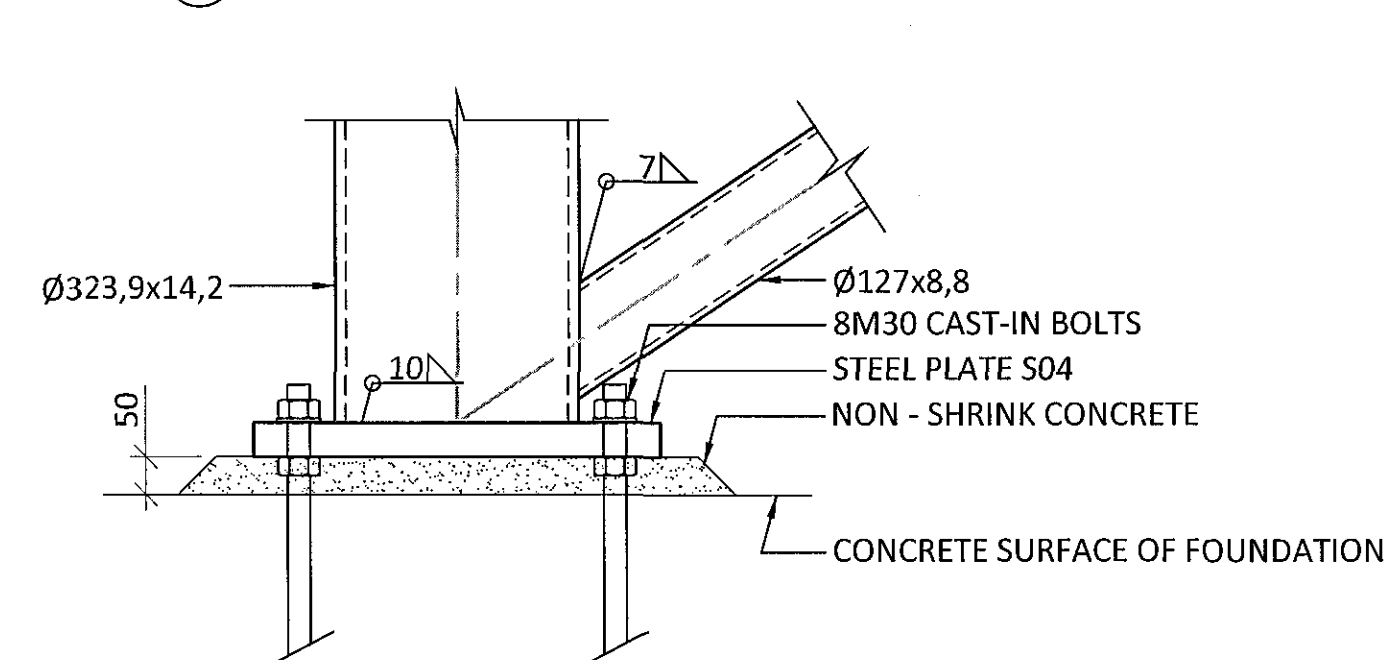
OR:



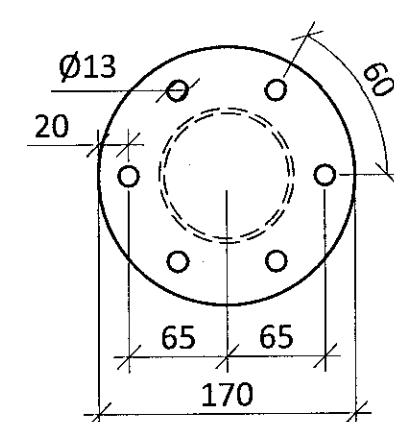
OR:



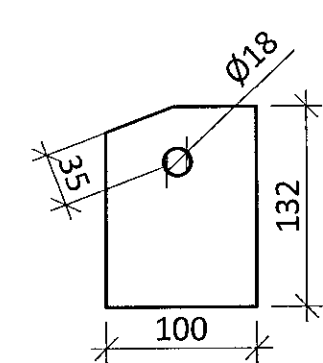
06 SCALE - M1:10



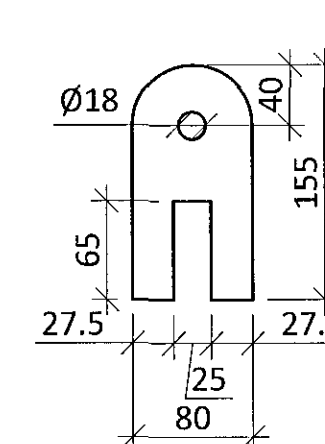
STEEL PLATE S01 - t=10mm



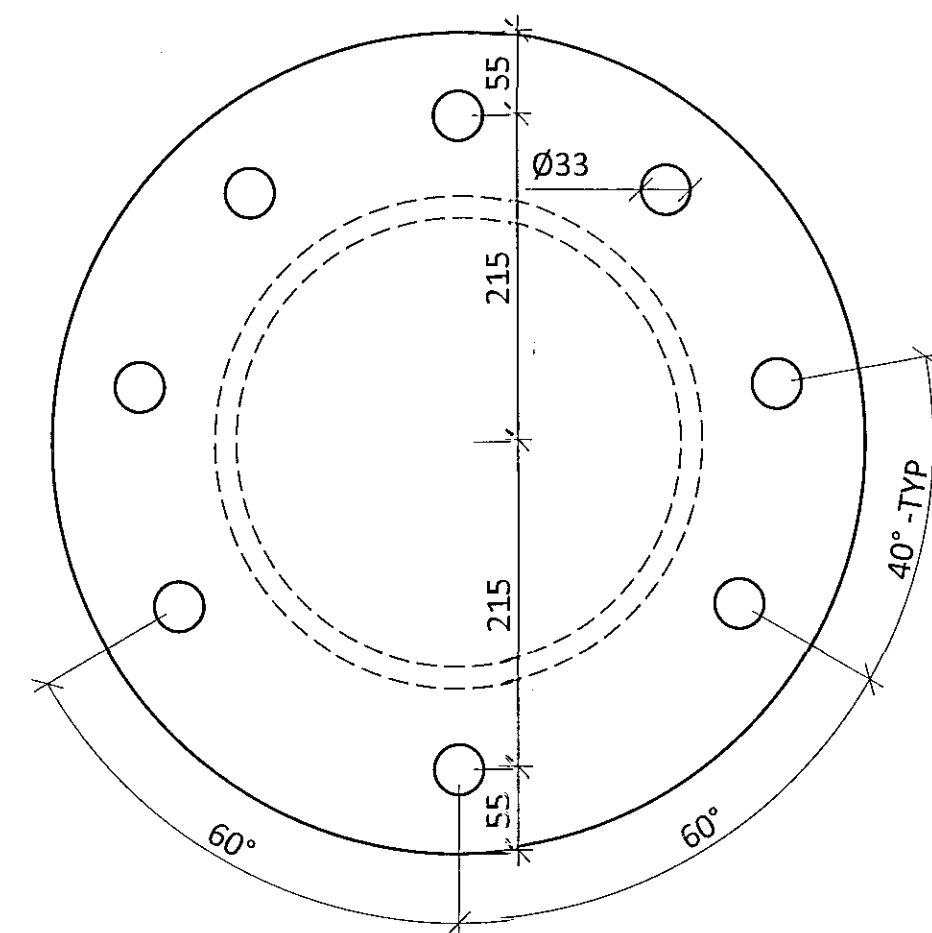
STEEL PLATE S02 - t=10mm



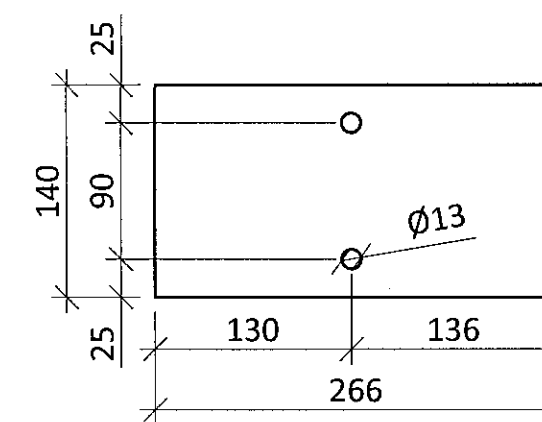
STEEL PLATE S03 - t=10mm



STEEL PLATE S04 - t=45mm



STEEL PLATE S05 - t=10mm



ARCHITECT: *Samur* ID no. *04/2017*

| REV. | DATE | DESCRIPTION |
|------|------|-------------|
| | | |
| | | |
| | | |
| | | |

ferill

FLUGVELLIR 1 HAFNARFIRÐI
SIGNBOARD
STEEL STRUCTURE CONNECTIONS AND STEEL PLATES

| | | | |
|------------------------|--------------------|-------------------|-------------------|
| APPROVED: <i>Samur</i> | ID no. 260172-3879 | DATE 08.05.17 | REV. DATE |
| DESIGNED: AK | CHECKED: PÓ | PROJECT no. 14014 | DWG. no. 1 - 5011 |
| SCALE 1:10 / 1:5 / 1:2 | | | |