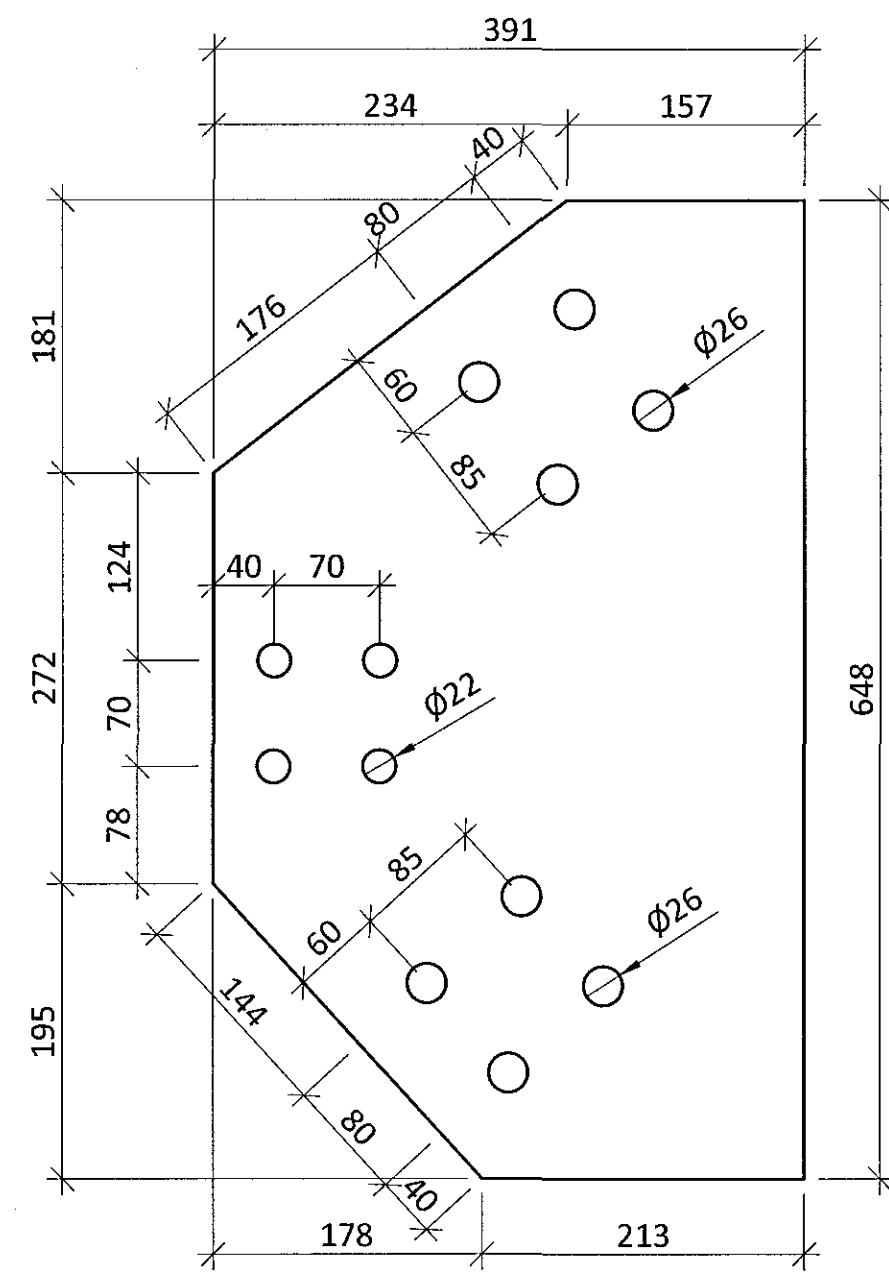
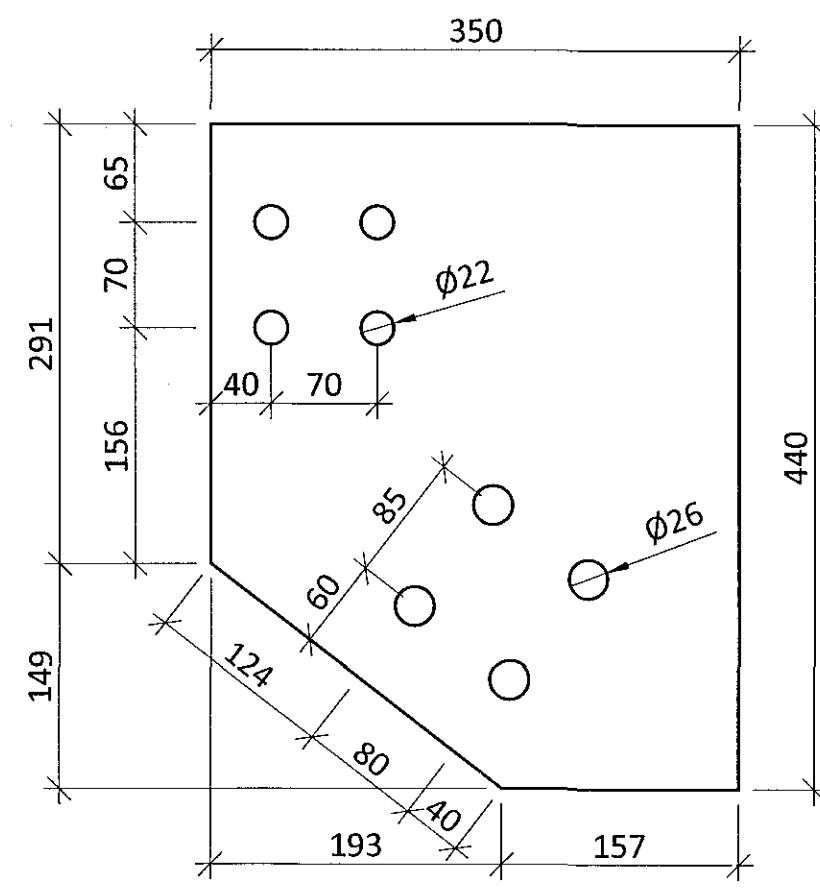


Samþykkt þann  
20 JUN 2017  
Byggingarfulltrúinn í Hafnarfirði  
F.h. Sigurður Steinar Jónsson

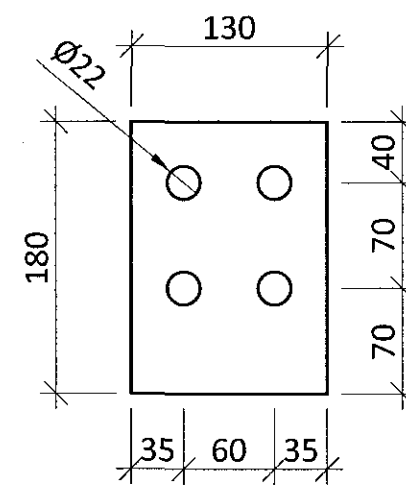
STEEL PLATE S060 - t=10mm - M1:5  
S355



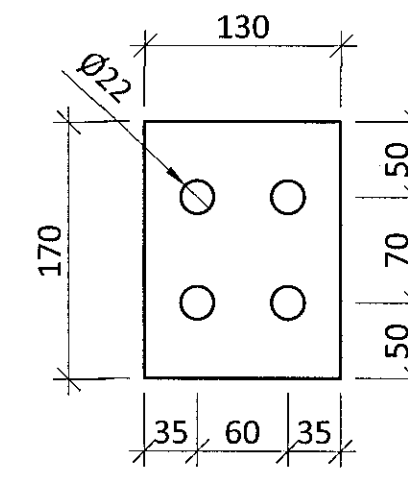
STEEL PLATE S061 - t=10mm - M1:5  
S355



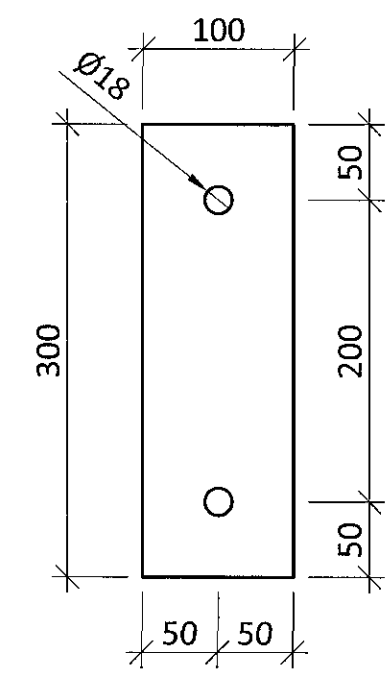
STEEL PLATE S062 - t=10mm - M1:5  
S355



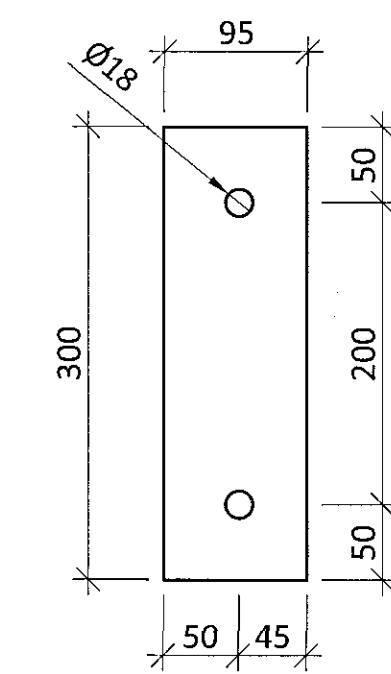
STEEL PLATE S063 - t=5mm - M1:5  
S355



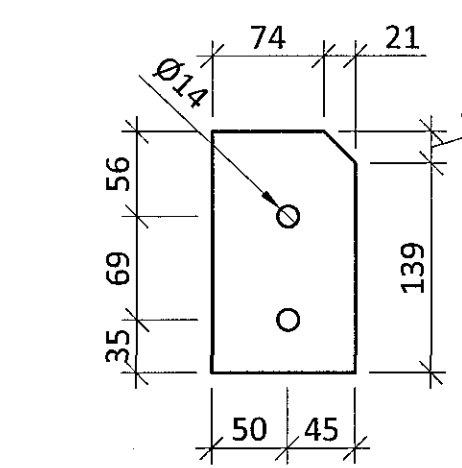
STEEL PLATE S064 - t=10mm - M1:5  
S355



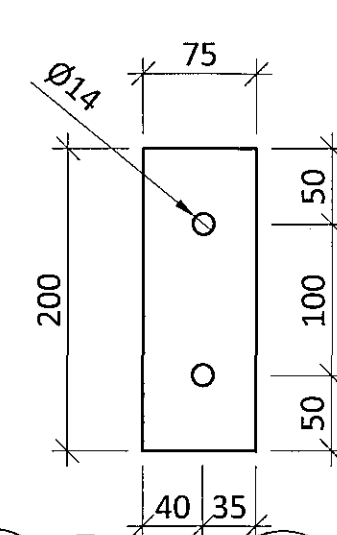
STEEL PLATE S065 - t=10mm - M1:5  
S355



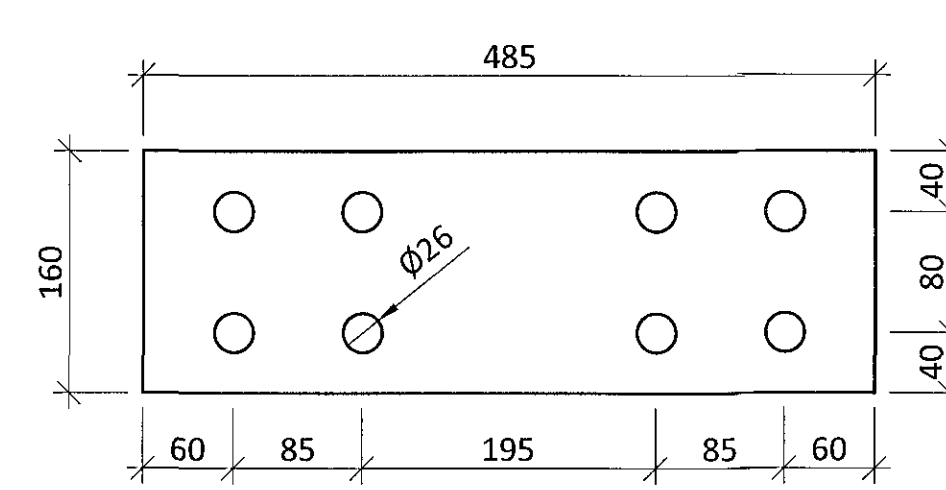
STEEL PLATE S066 - t=10mm - M1:5  
S355



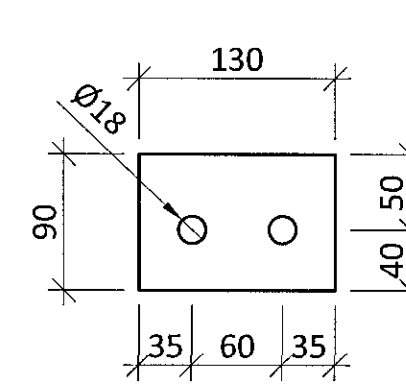
STEEL PLATE S067 - t=8mm - M1:5  
S355



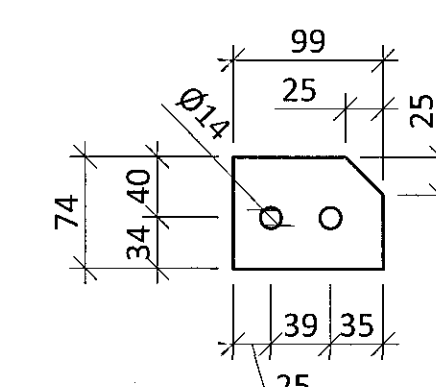
STEEL PLATE S068 - t=15mm - M1:5  
S355



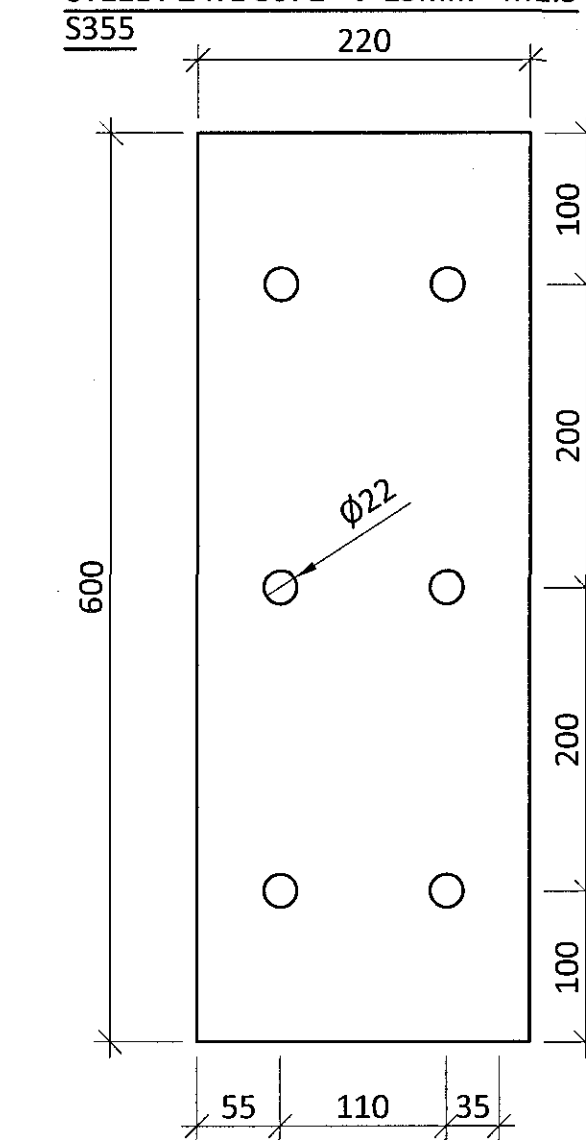
STEEL PLATE S069 - t=10mm - M1:5  
S355



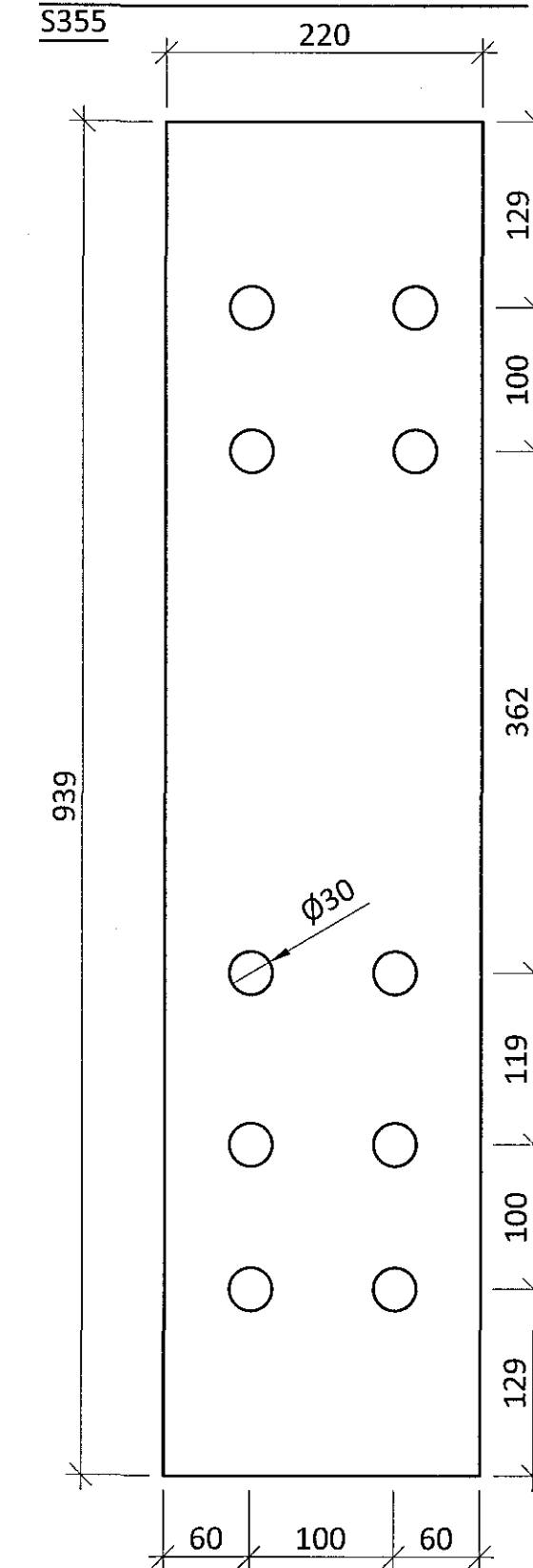
STEEL PLATE S070 - t=10mm - M1:5  
S355



STEEL PLATE S071 - t=15mm - M1:5  
S355



STEEL PLATE S072 - t=20mm - M1:5  
S355



V:\Flugvellir(1)\Teikningar\1-BURDARPOL\14014-Z-2550.dwg

ARITUN-ADALFRÖUHLIÐ: *WAC* DT 01/28.1-3-17

BR.	DAGS.	BREYTING	SAMP.
A	15.05.17	GENERAL CHANGES	



FLUGVELLIR 1 HAFNARFIRÐI  
FLIGHT SIMULATOR BUILDING  
STEEL STRUCTURE  
STEEL PLATES

SAMÞYKKT: *Þorri Jónsson* 280172-3879 *SB*

HÖNNUÐUR	YFIRFARIÐ	DAGS. ÚTG.	DAGS. BREYT.
PÓ	thorri@ferill.is	SB	04.04.17
MKV.	1:10	VERKNR. 14014	TEIKN. NR. 1 - 2563
			BREYT. A

Ferill ehf. Mörkin 1 108 Reykjavík Sími: 575 1600 Fax: 575 1601 www.ferill.is