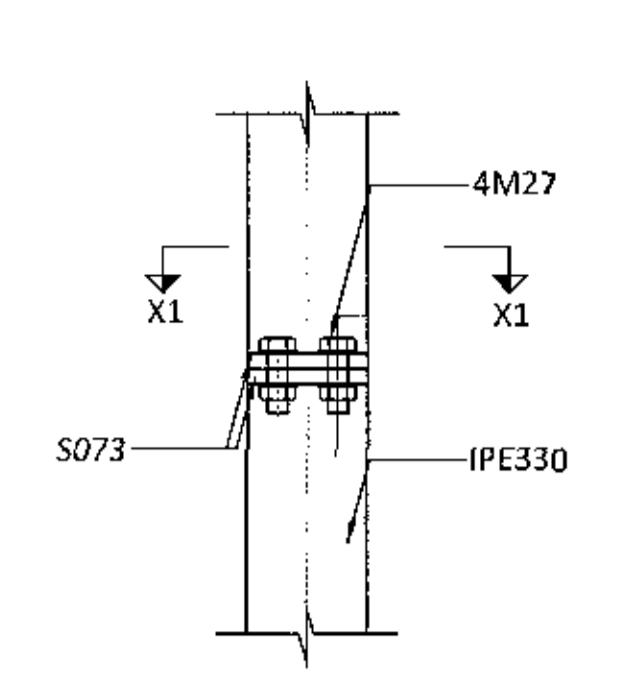
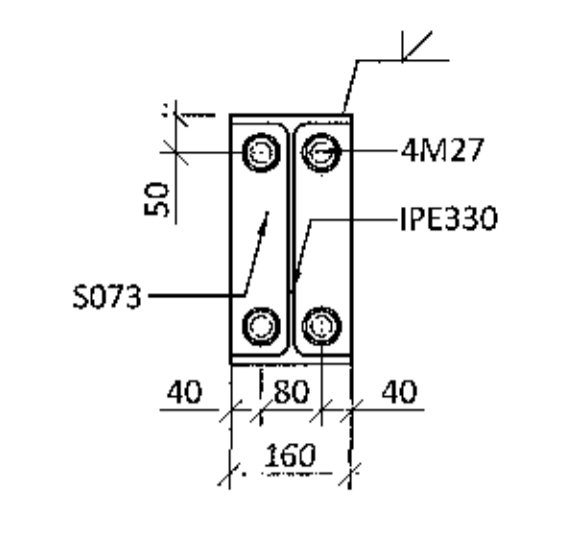


Sambýkt þann
20.06.2017
Sambýktirinn er í ljósi
Til: Ferill hf. Bæjarúbergi

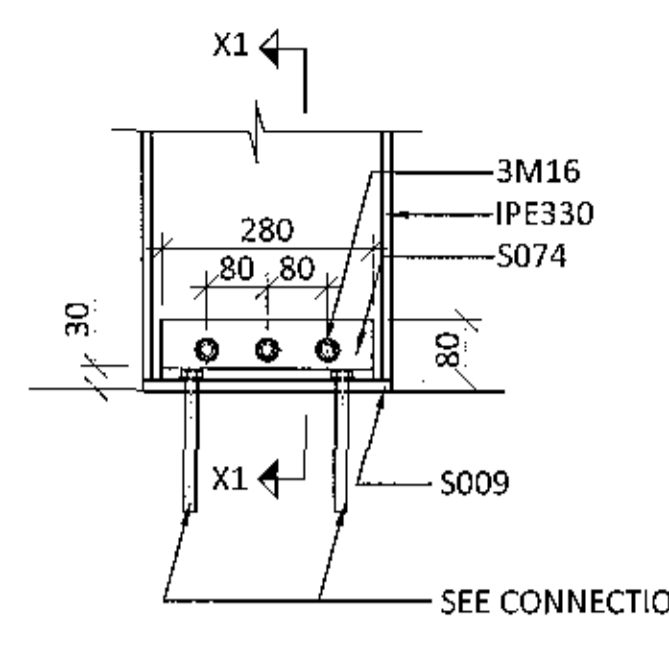
CONNECTION F140- M1:10



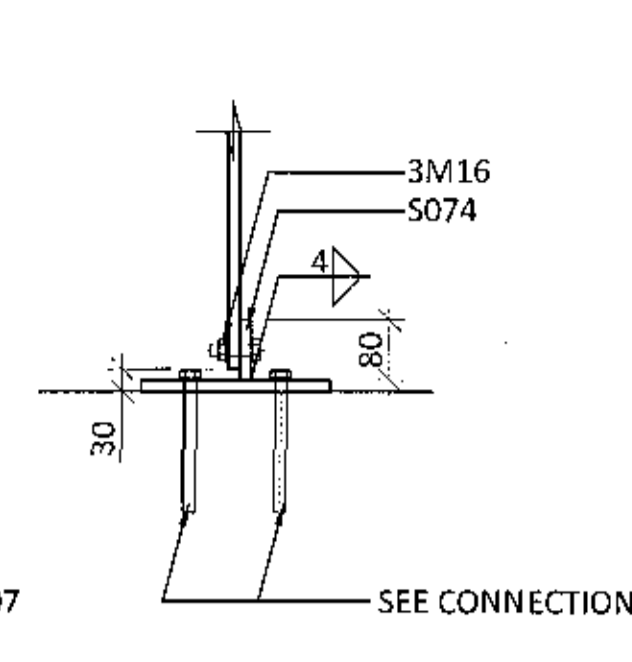
SECTION X1-X1 - M1:10



CONNECTION F141- M1:10



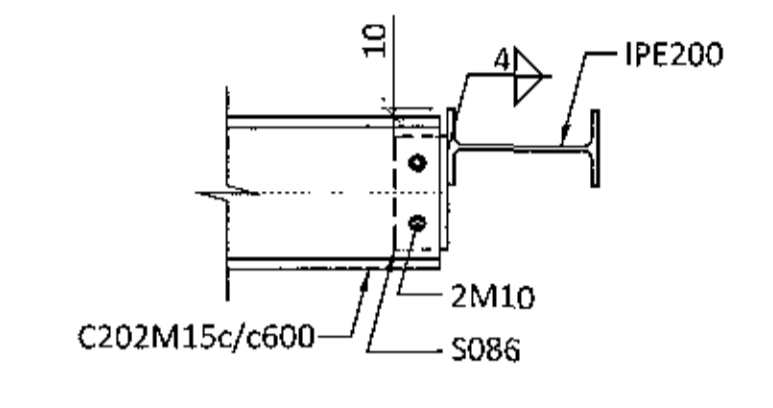
SECTION X1-X1 - M1:10



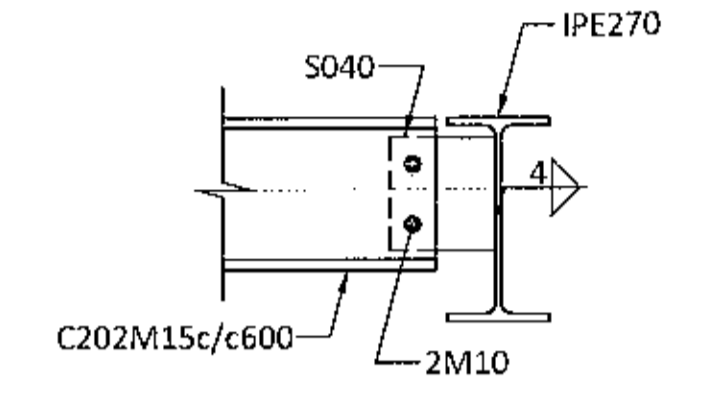
SEE CONNECTION F07

SEE CONNECTION F07

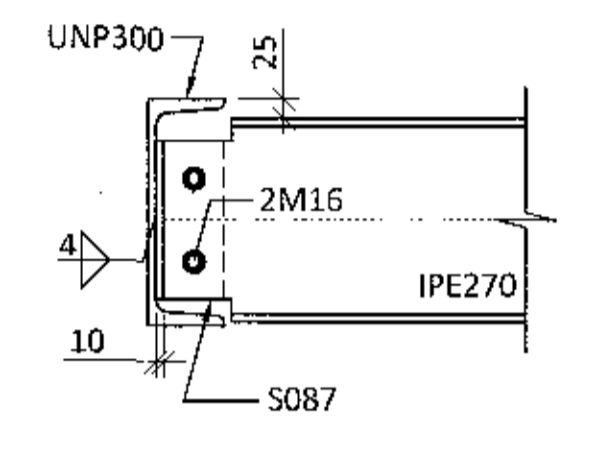
CONNECTION F142 TYP. - M1:10



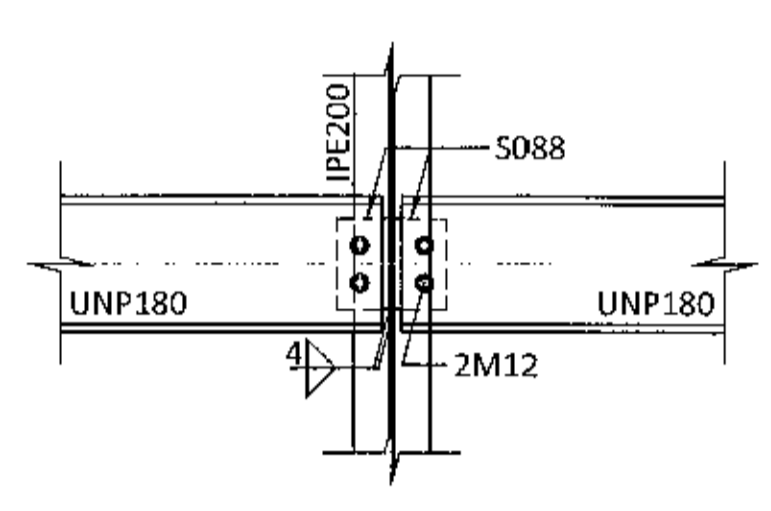
CONNECTION F143 TYP. - M1:10



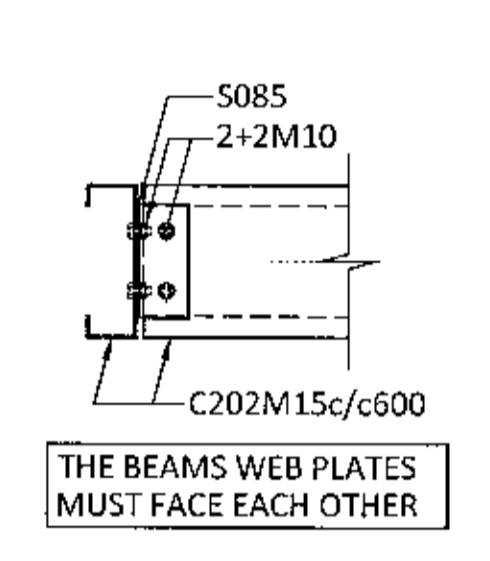
CONNECTION F144 TYP. - M1:10



CONNECTION F145 TYP. - M1:10

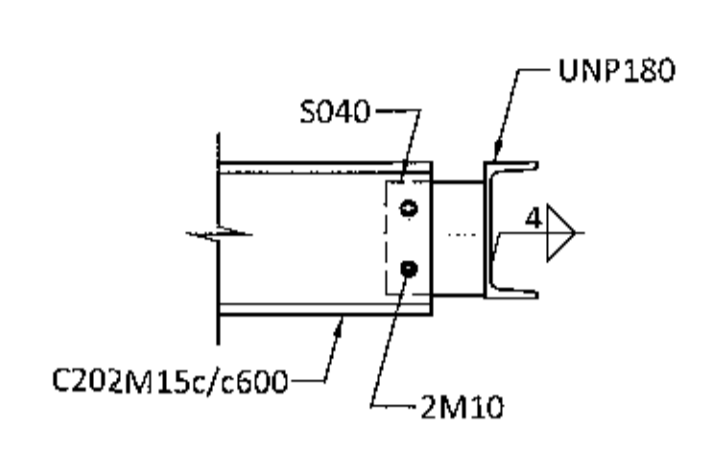


CONNECTION F146 TYP. - M1:10

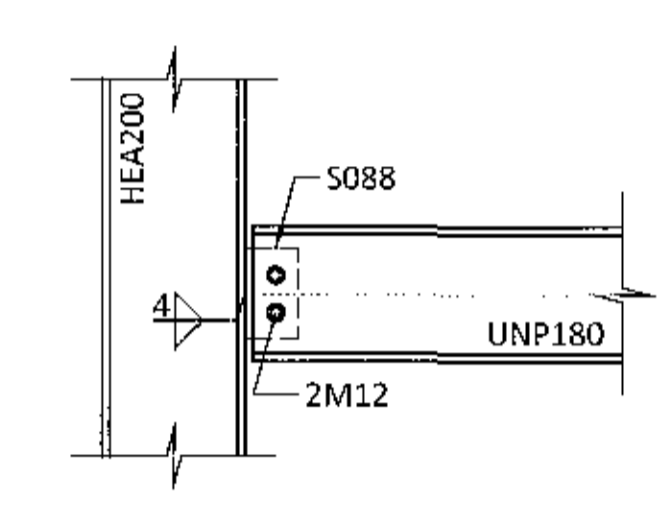


THE BEAMS WEB PLATES
MUST FACE EACH OTHER

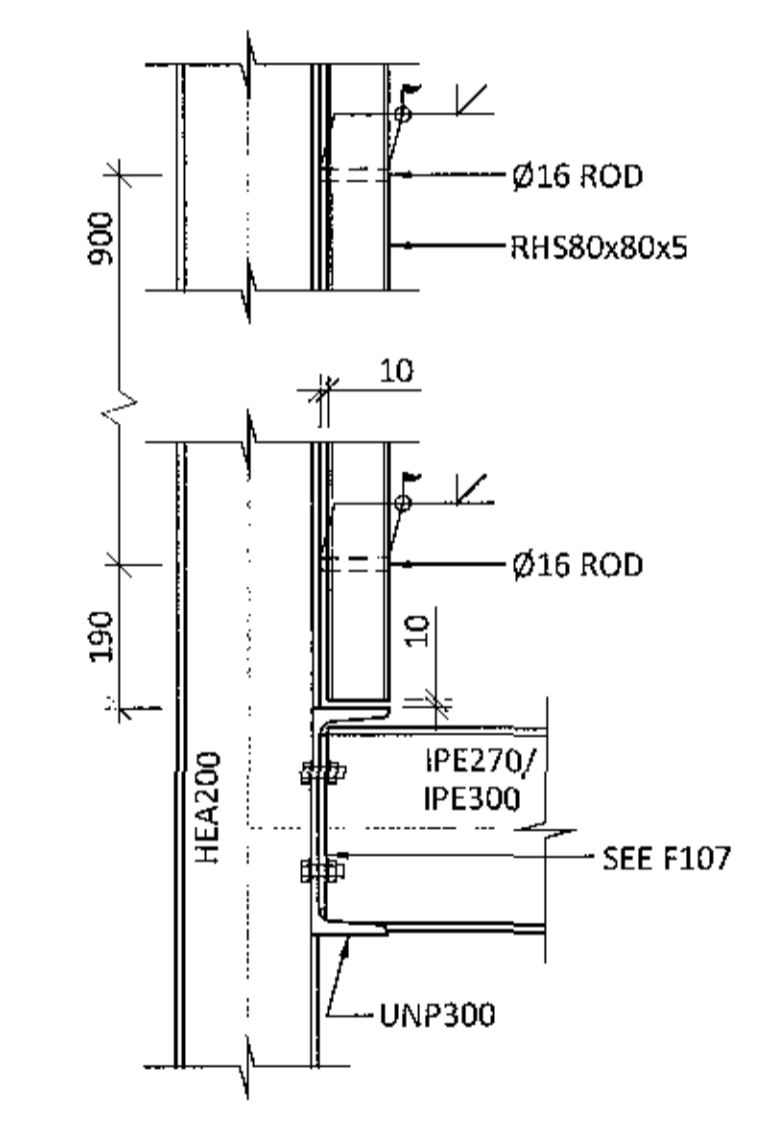
CONNECTION F147 TYP. - M1:10



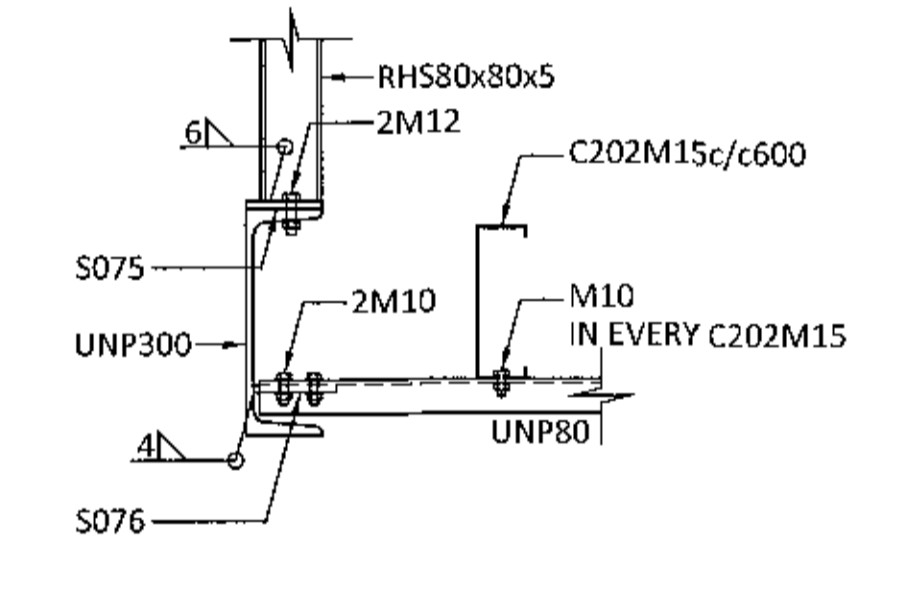
CONNECTION F148 TYP. - M1:10



CONNECTION FOR HANDRAILS IN GRIDLINES TYP. - M1:10



CONNECTION FOR HANDRAILS BETWEEN GRIDLINES TYP. - M1:10



SEE F107

BYGGINGARFALFRÚA KT. @1703017

A 26.09.17 CONNECTIONS ADDED			
BL.	DAGS.	BREYTING	SAMB.



FLUGVELLIR 1 HAFNARFIRÐI
FLIGHT SIMULATOR BUILDING
STEEL STRUCTURE
CONNECTIONS

SAMBÝKTIRINN		KT. 260172-3879	
HÖNNUNUÐUR	YFIRFARIÐ	DAGS. ÚTG.	DAGS. BREYT.
PÓ thori@ferill.is	SB	30.05.17	26.09.17
MICV	VERKNR.	TEKNI. NR.	BREYT.
1:10	14014	1 - 2556	A