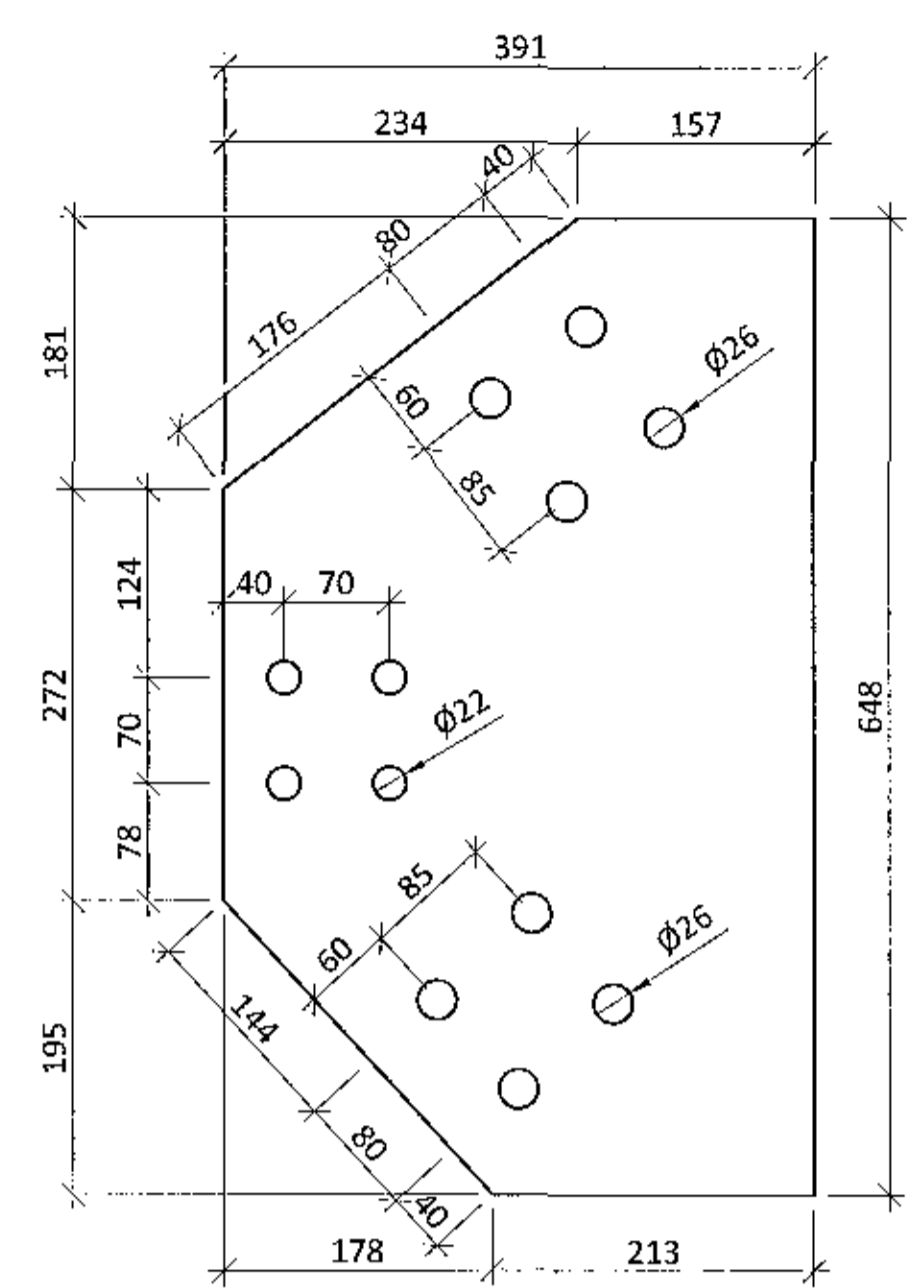
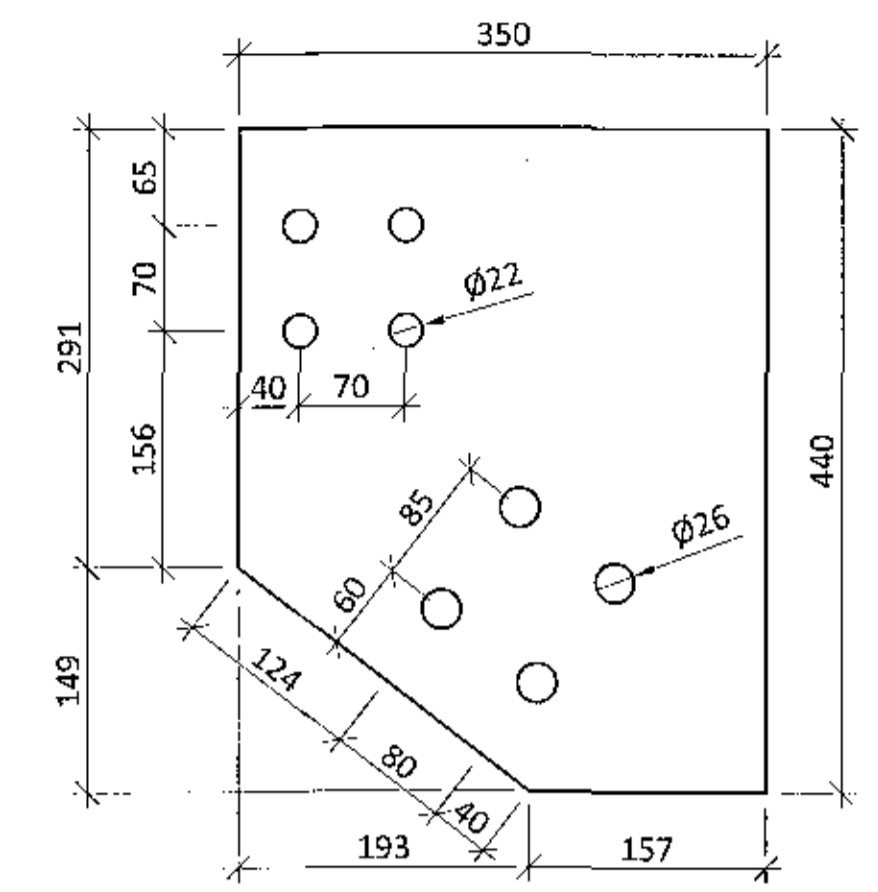


Sampykkt þann  
20 OCT 2017  
Byggingarfulltrúi í Hafnarfirði  
I. Þ. Steinar Jónsson

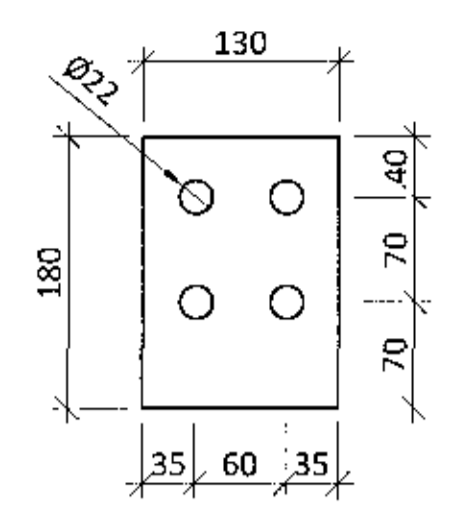
STEEL PLATE S060 - t=10mm - M1:5  
S355



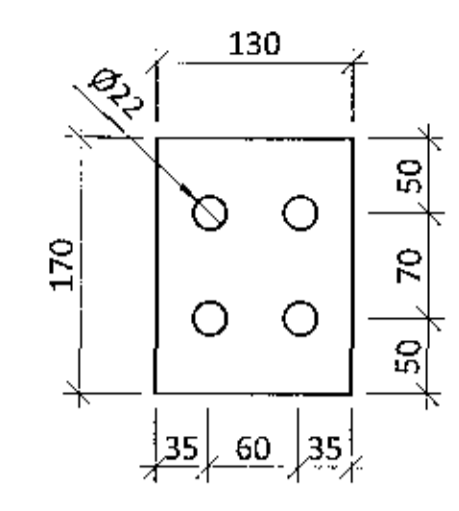
STEEL PLATE S061 - t=10mm - M1:5  
S355



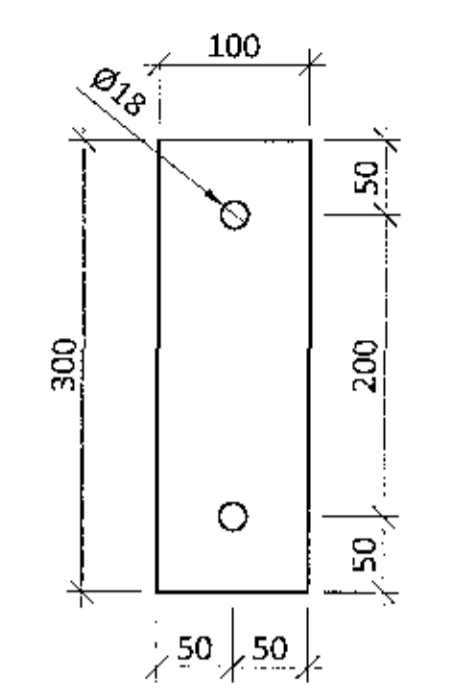
STEEL PLATE S062 - t=10mm - M1:5  
S355



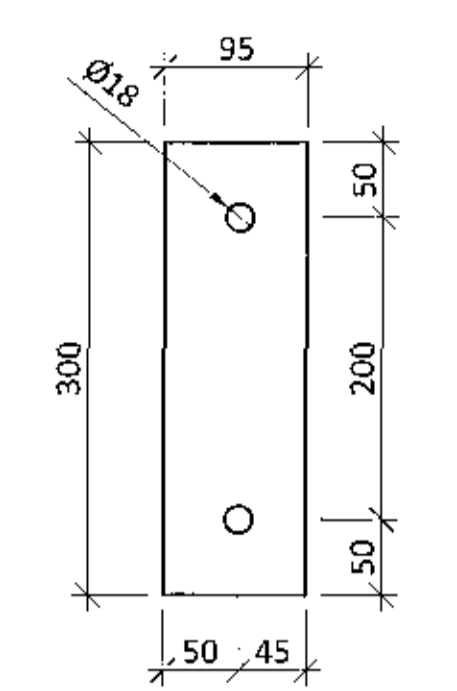
STEEL PLATE S063 - t=5mm - M1:5  
S355



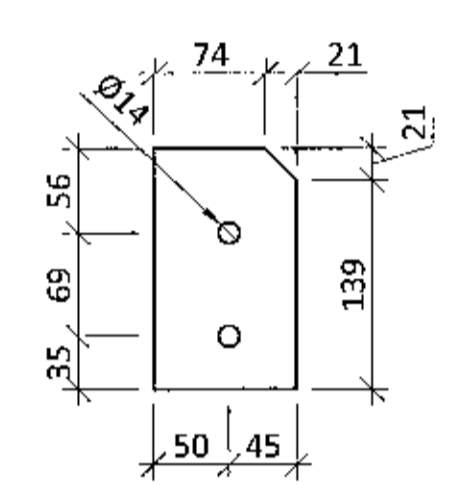
STEEL PLATE S064 - t=10mm - M1:5  
S355



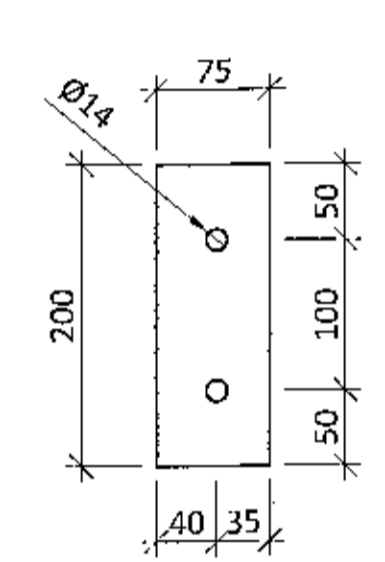
STEEL PLATE S065 - t=10mm - M1:5  
S355



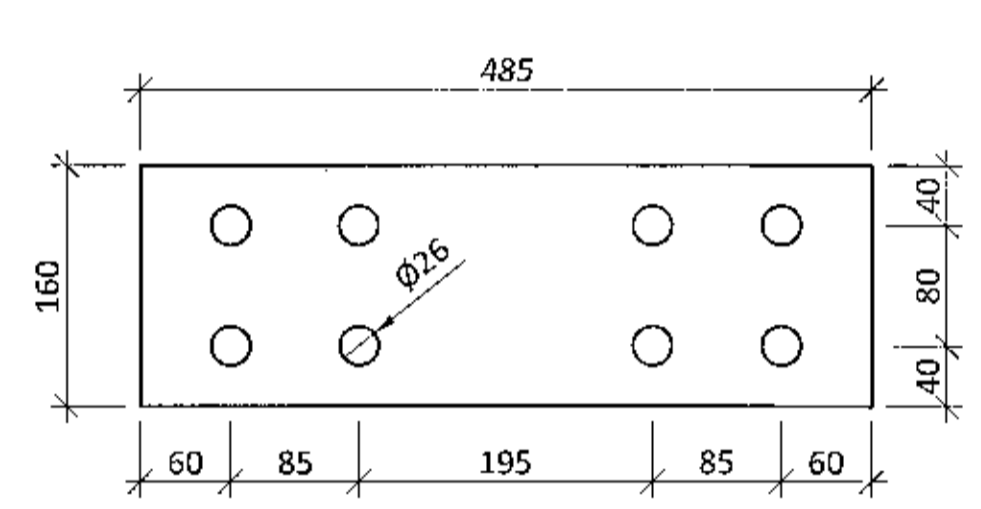
STEEL PLATE S066 - t=10mm - M1:5  
S355



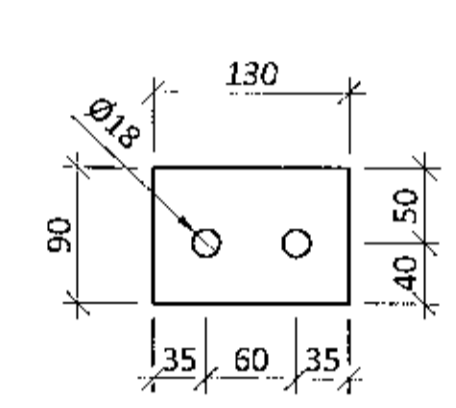
STEEL PLATE S067 - t=8mm - M1:5  
S355



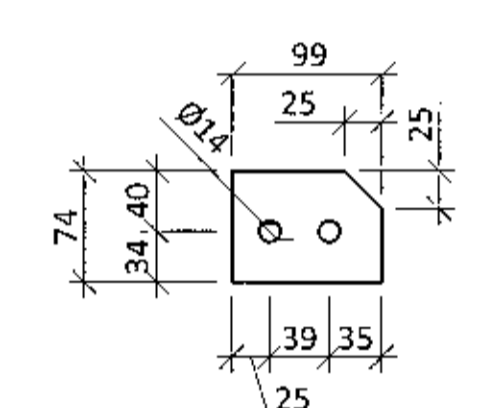
STEEL PLATE S068 - t=15mm - M1:5  
S355



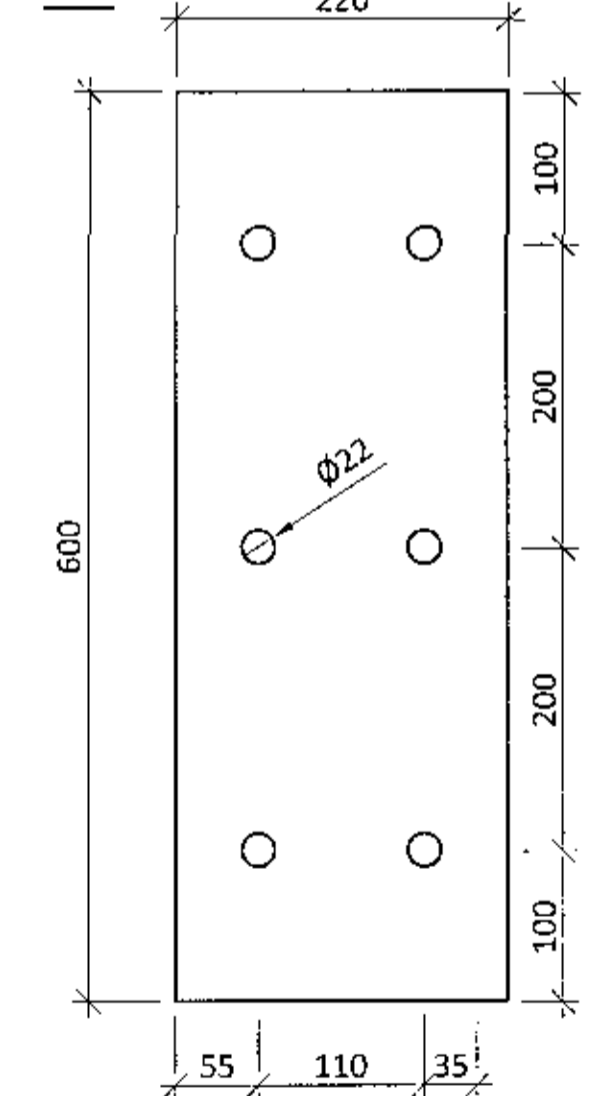
STEEL PLATE S069 - t=10mm - M1:5  
S355



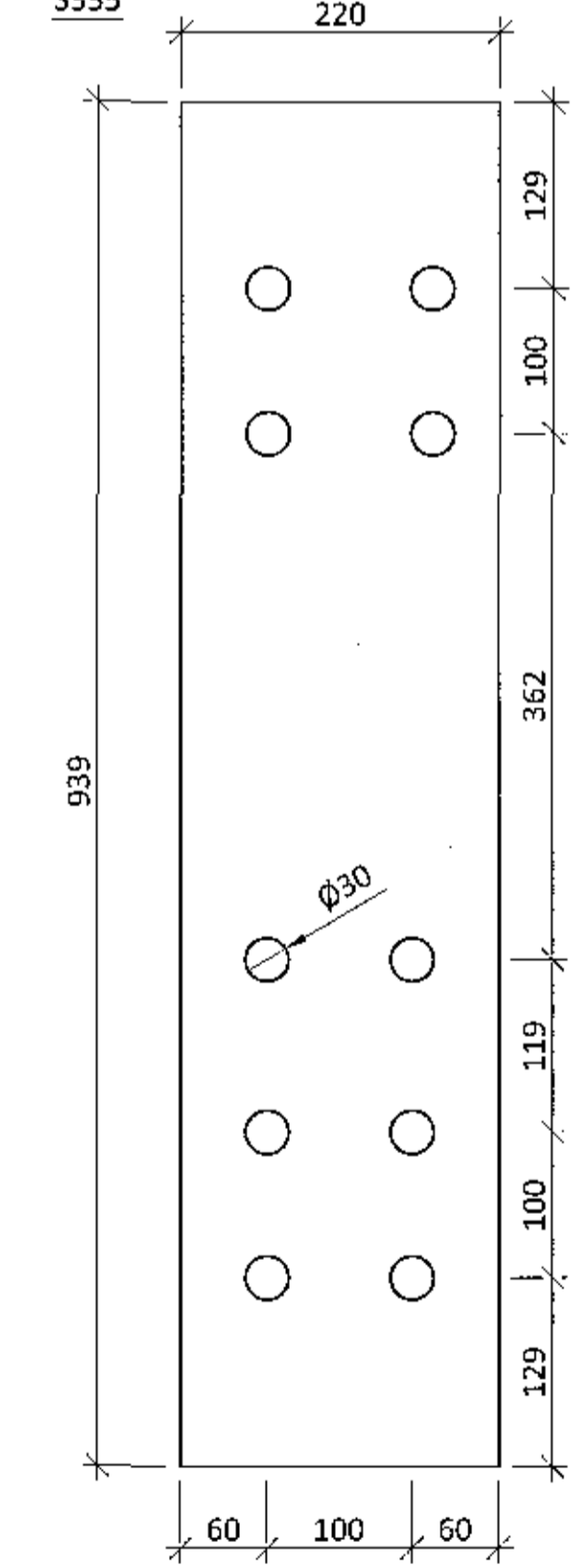
STEEL PLATE S070 - t=10mm - M1:5  
S355



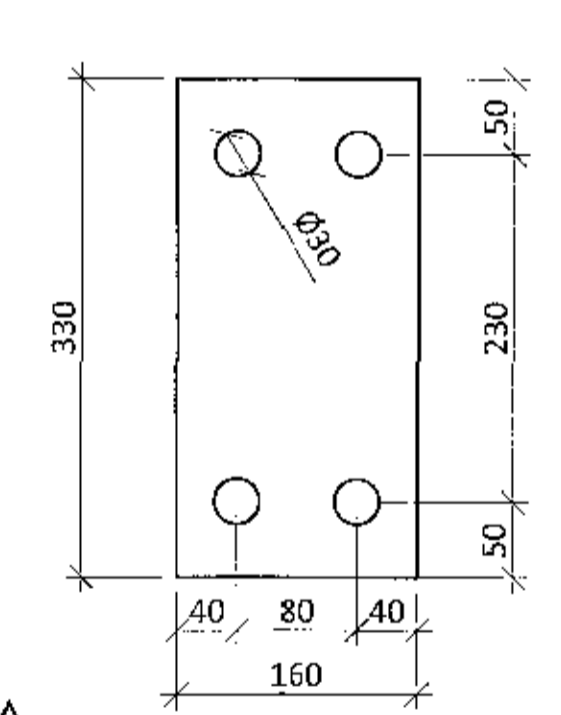
STEEL PLATE S071 - t=15mm - M1:5  
S355



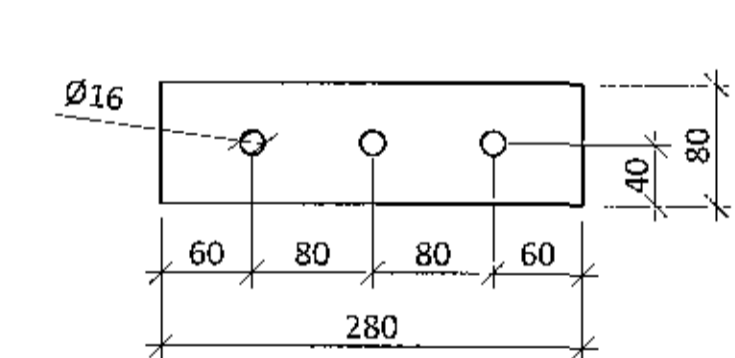
STEEL PLATE S072 - t=20mm - M1:5  
S355



STEEL PLATE S073 - t=20mm - M1:5  
S355



STEEL PLATE S074 - t=15mm - M1:5  
S355



STEEL PLATE S075 - t=10mm - M1:5  
S355

STEEL PLATE S076 - t=10mm - M1:5  
S355

ARTUN ADALSTEINSSON  
01251-2015

C	26.09.17	S075 AND S076 ADDED
B	30.05.17	S073 AND S074 ADDED
A	15.05.17	GENERAL CHANGES
DR	DAGS	BREYTING
		SAMP.

**ferill**  
VERKFRÆÐISTOFA

**FLUGVELLIR 1** HAFNARFIRÐI  
FLIGHT SIMULATOR BUILDING  
STEEL STRUCTURE  
STEEL PLATES

HÖNNUÐUR	YRFRARÍÐ	DAES. UTG.	DAGS. BREYT.
DÓ	SB	04.04.17	26.09.17
MKV.	VERKNA.	TEKNA. NR.	BREYT.
1:10	14014	1 - 2563	C

Ferill ehf. Mörkin 1 108 Reykjavík Sími: 575 1600 Fax: 575 1601 www.ferill.is