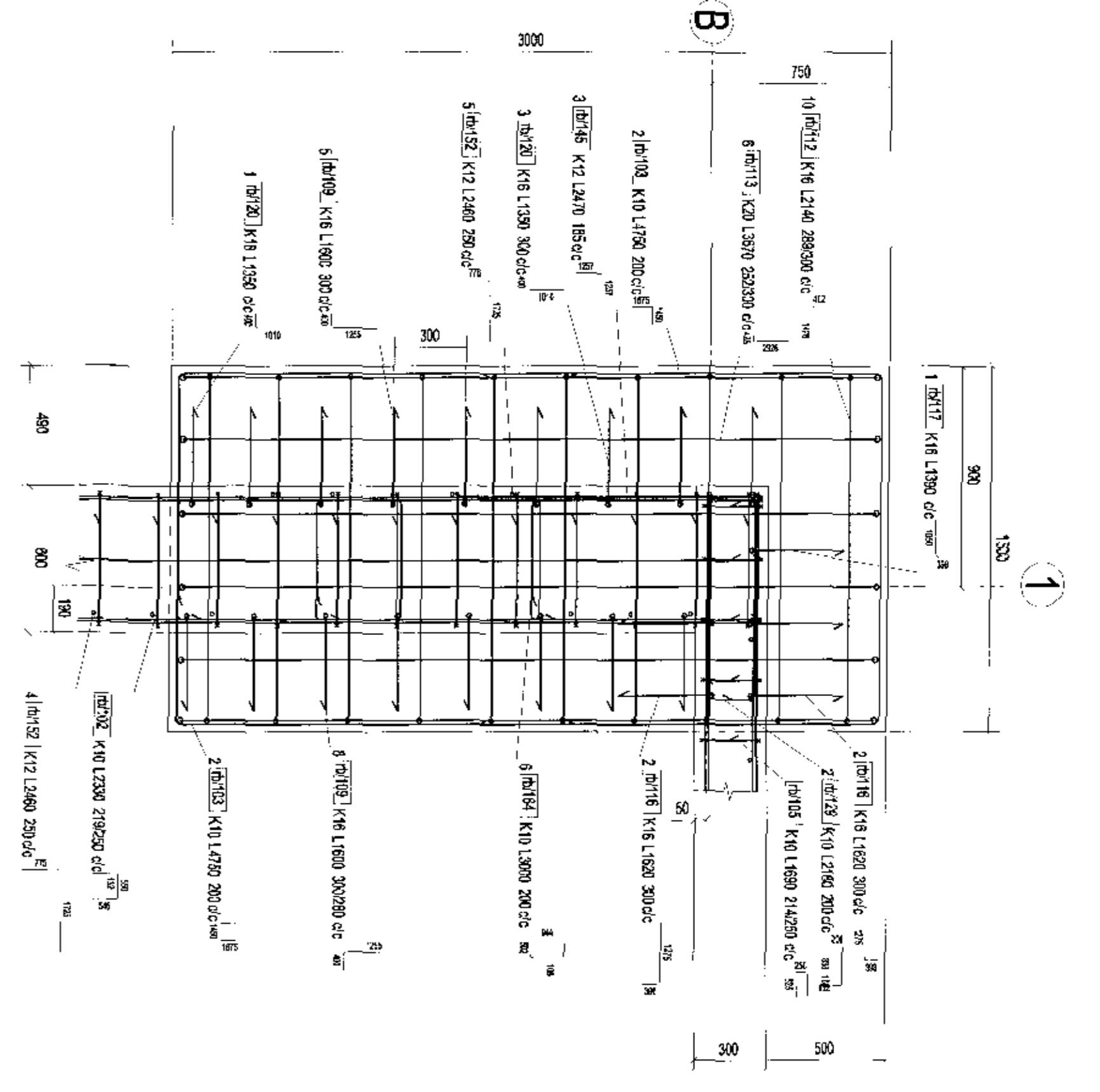
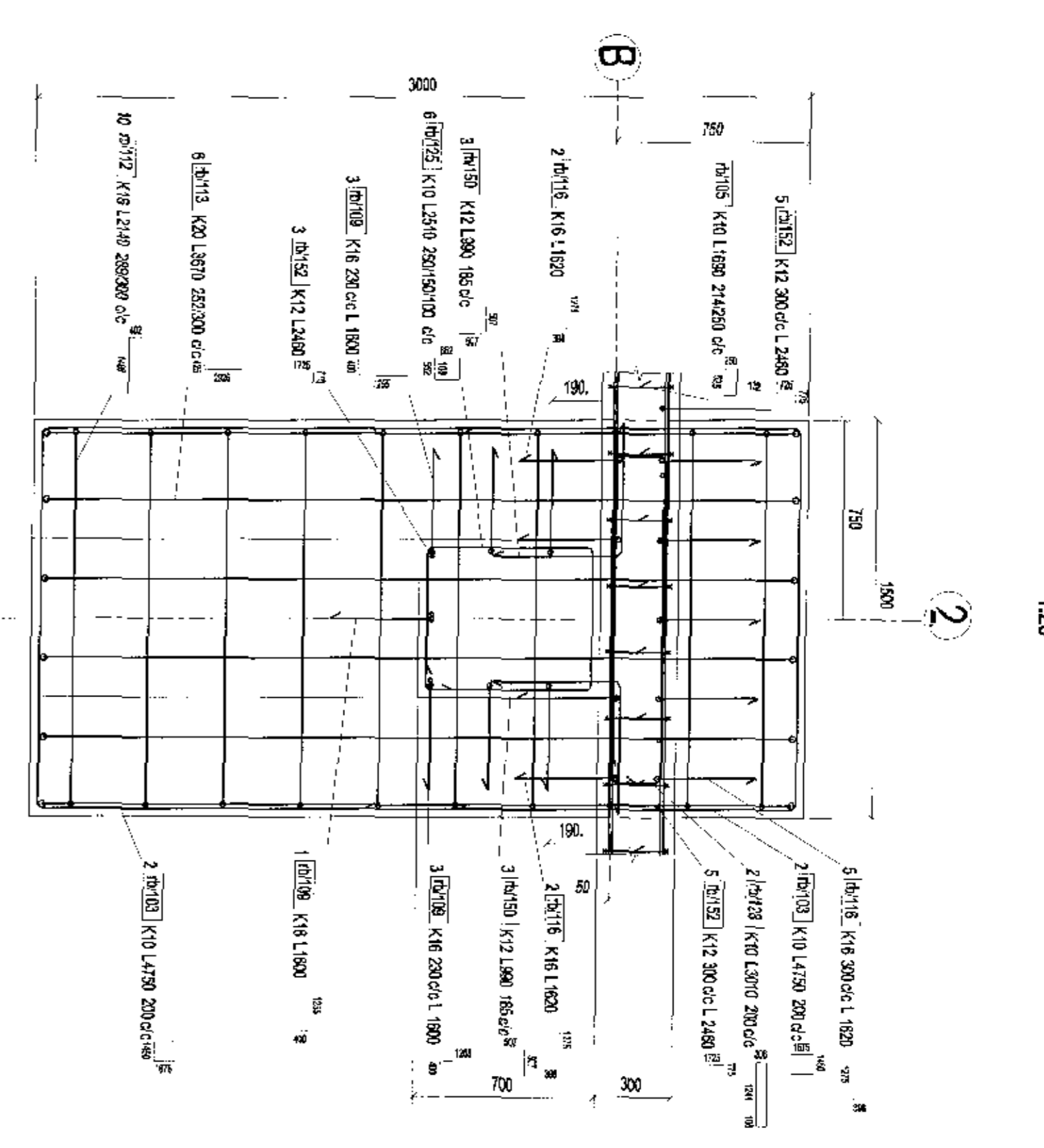


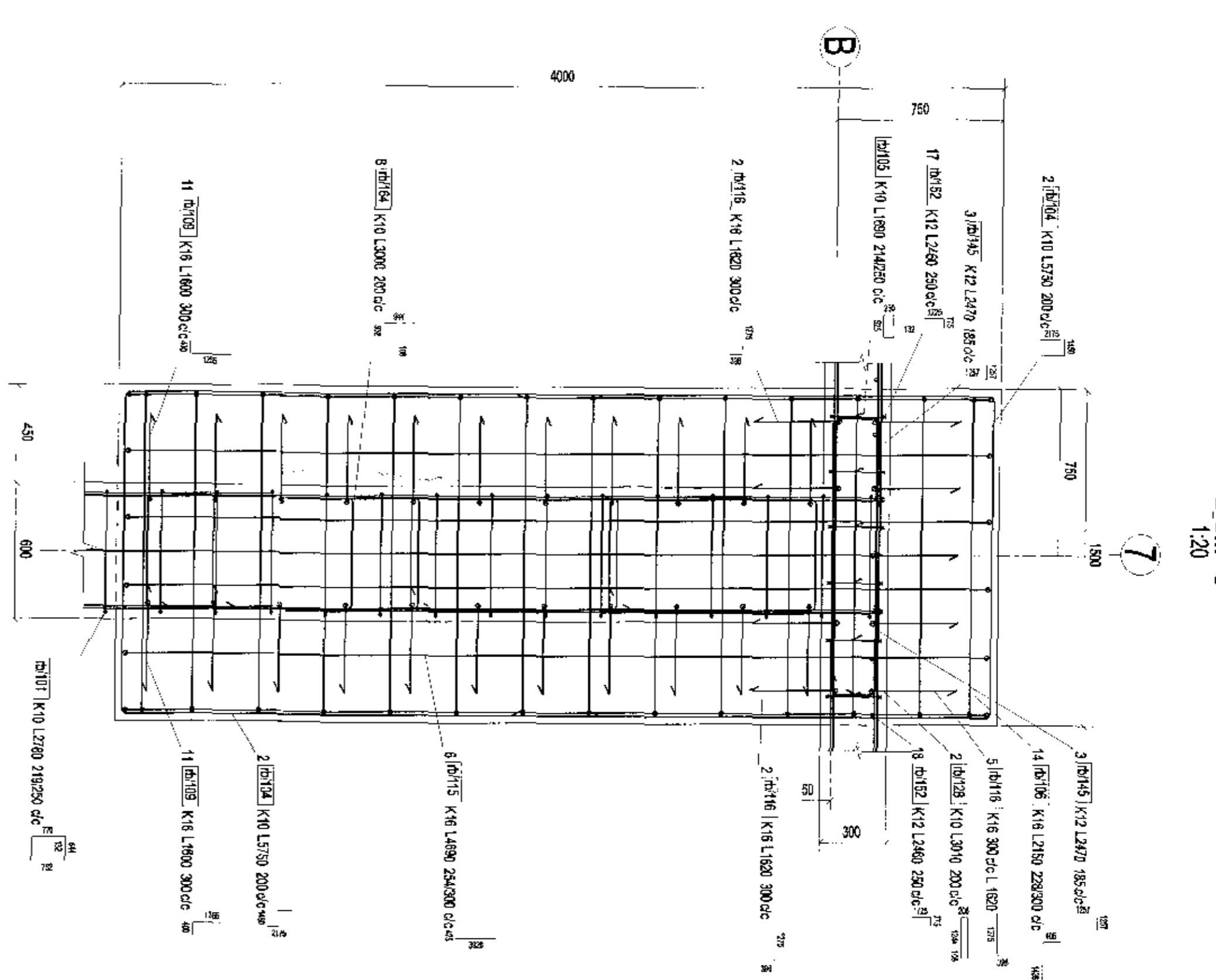
Detail 1
1:20



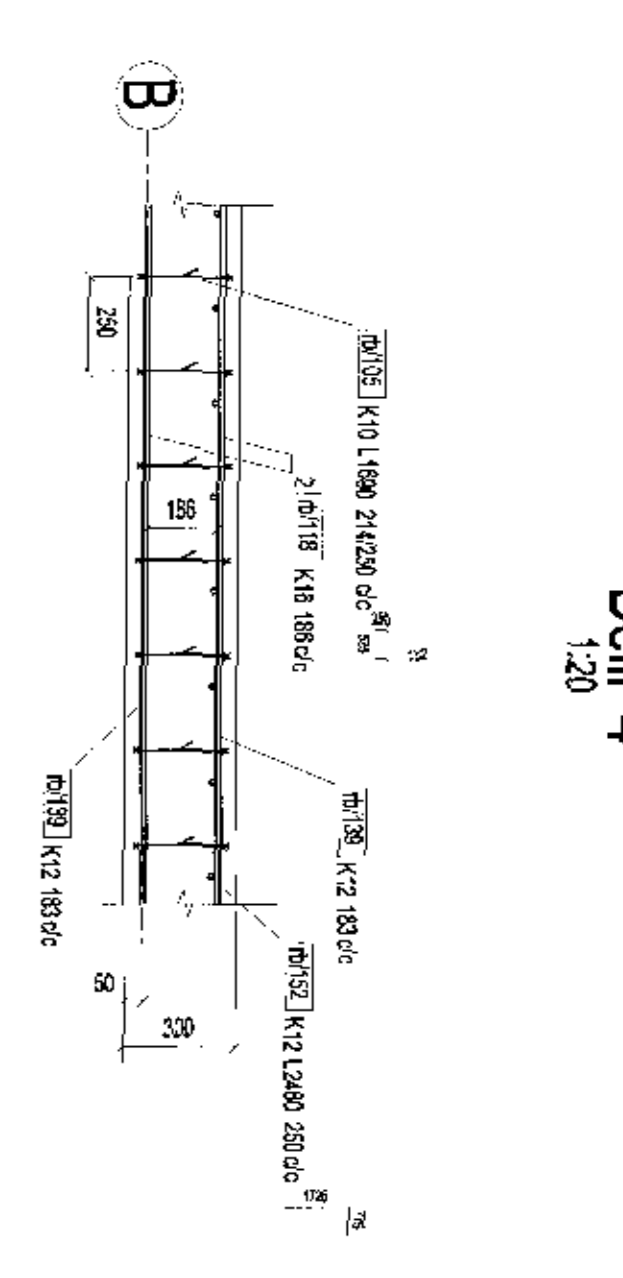
Detail 2
1:20



Detail 3
1:20



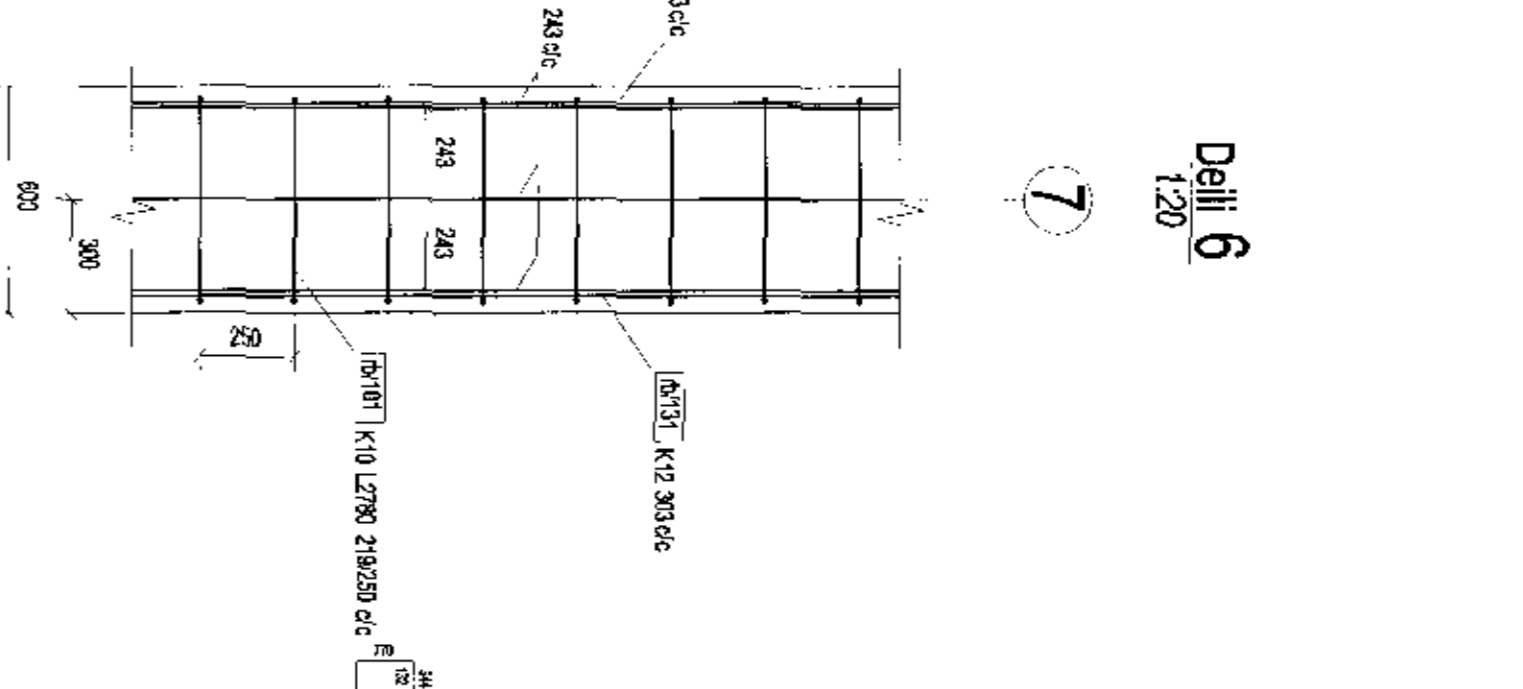
Detail 4
1:20



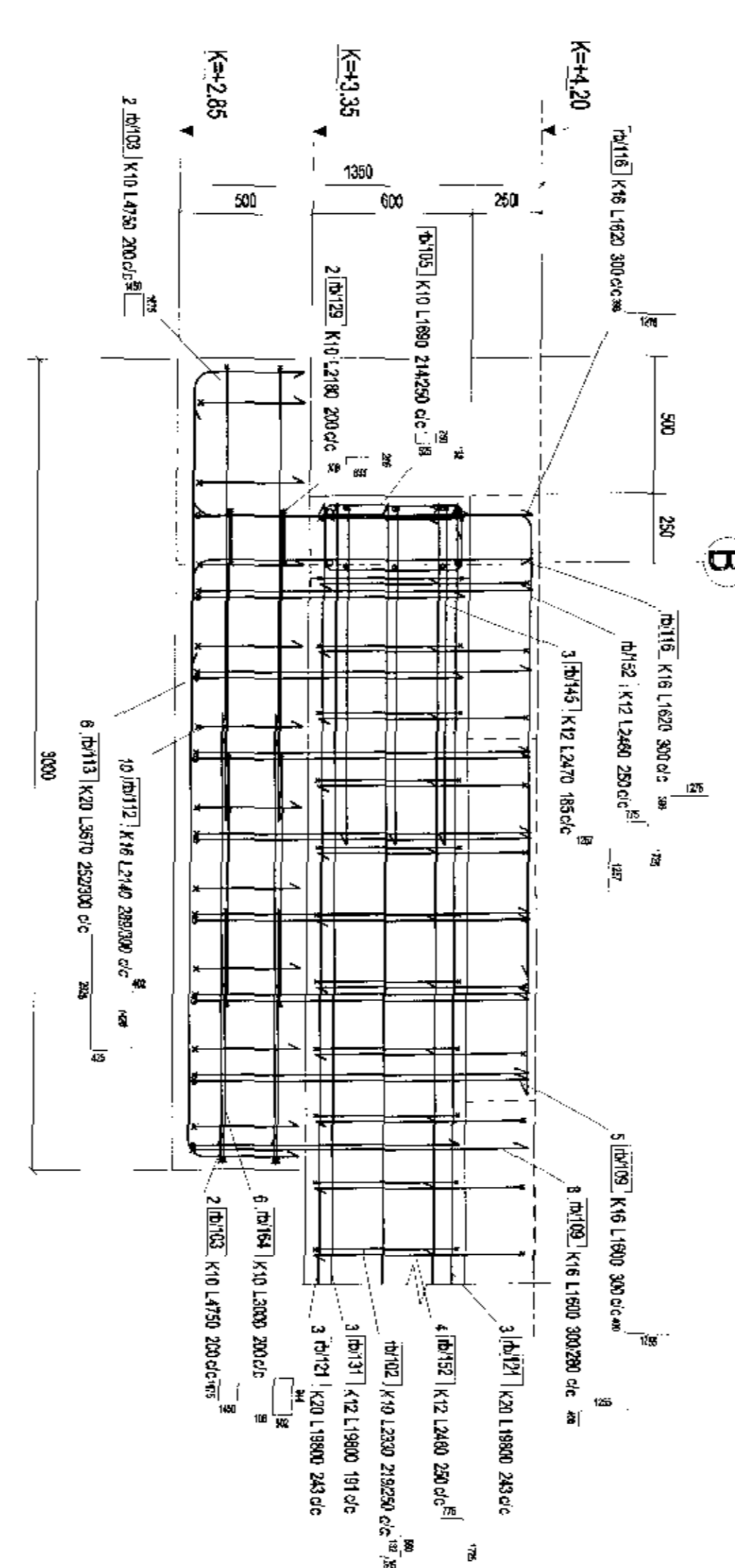
Detail 5
1:20



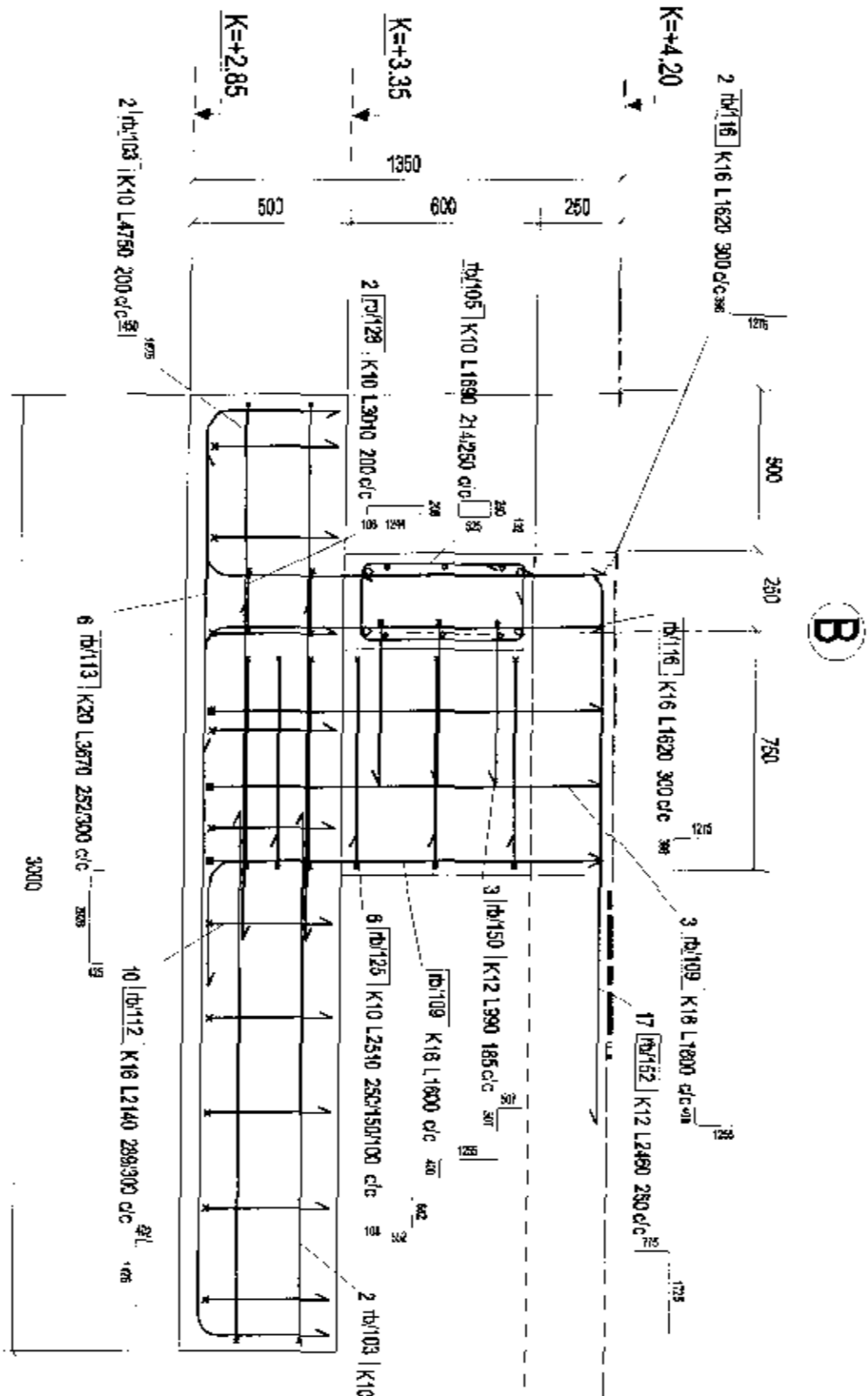
Detail 6
1:20



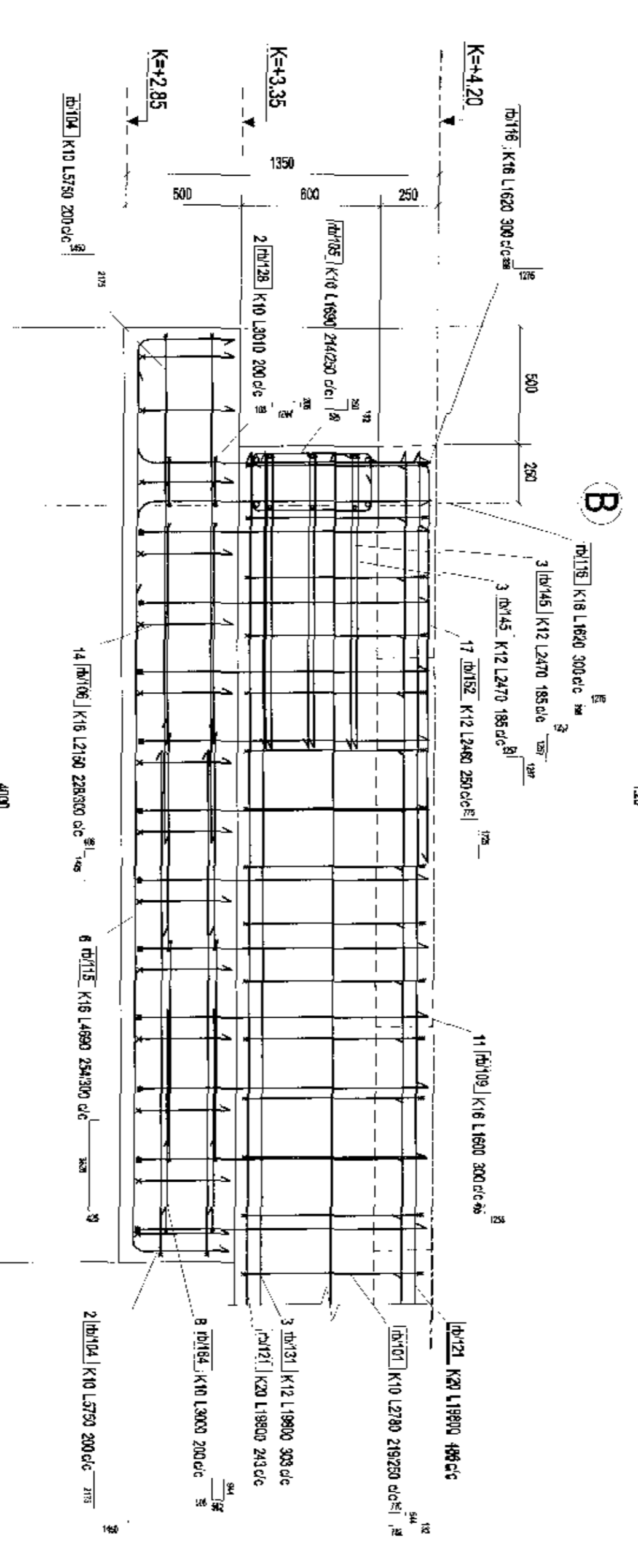
Detail 7
1:20



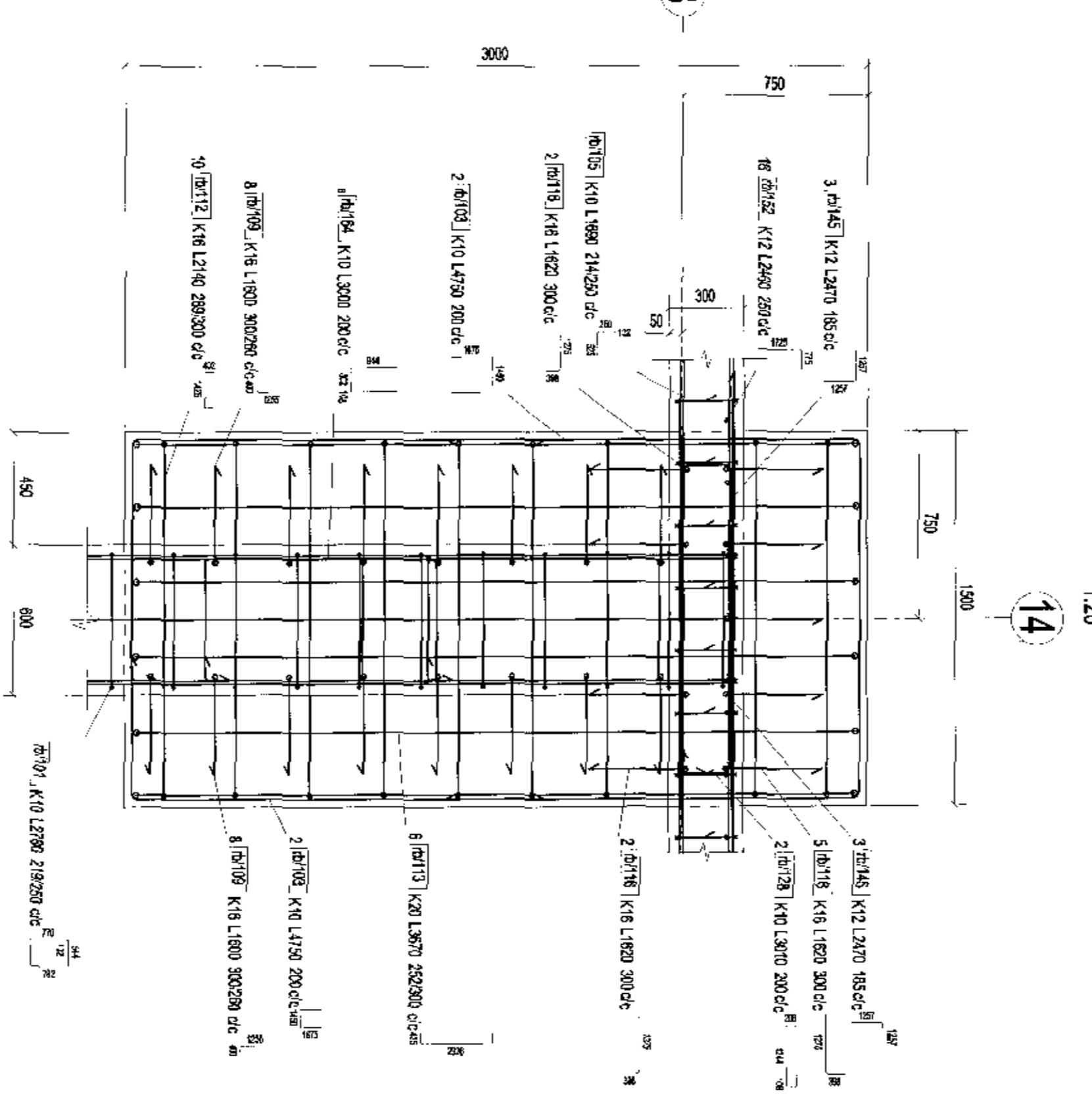
Detail 8
1:20



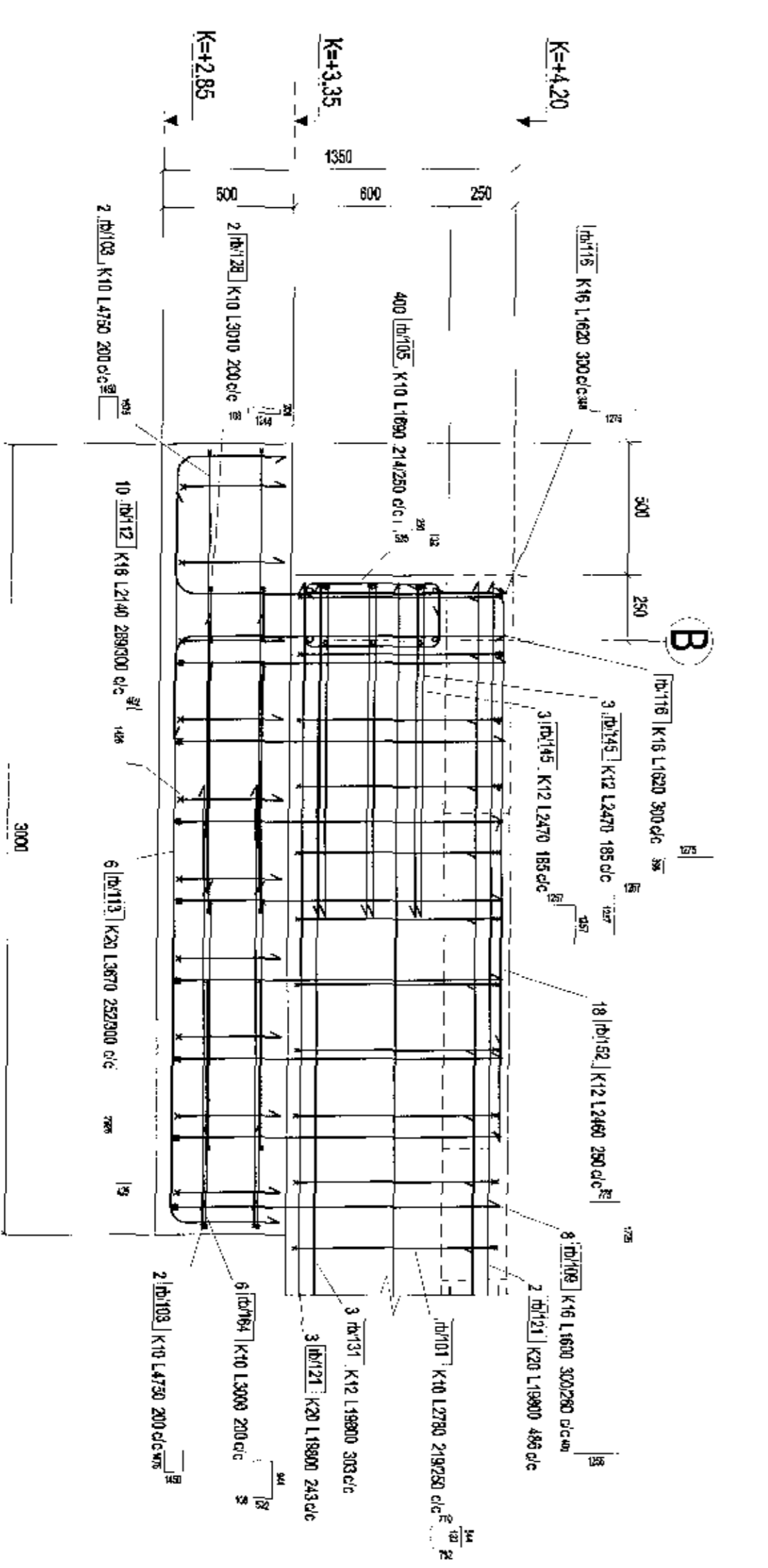
Detail 9
1:20



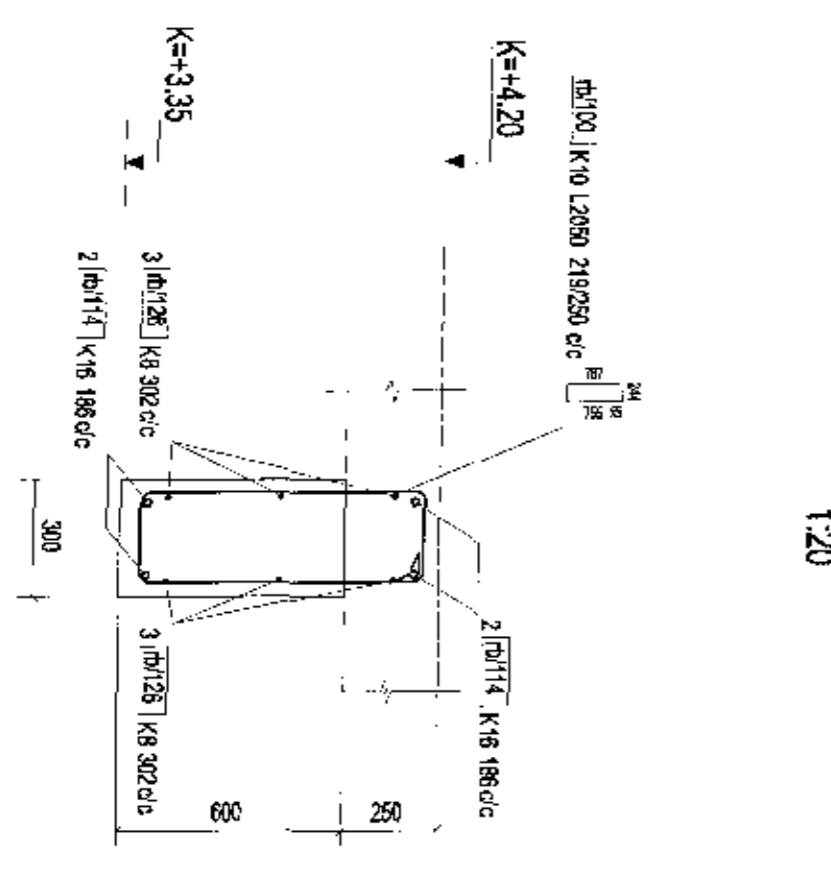
Detail 10
1:20



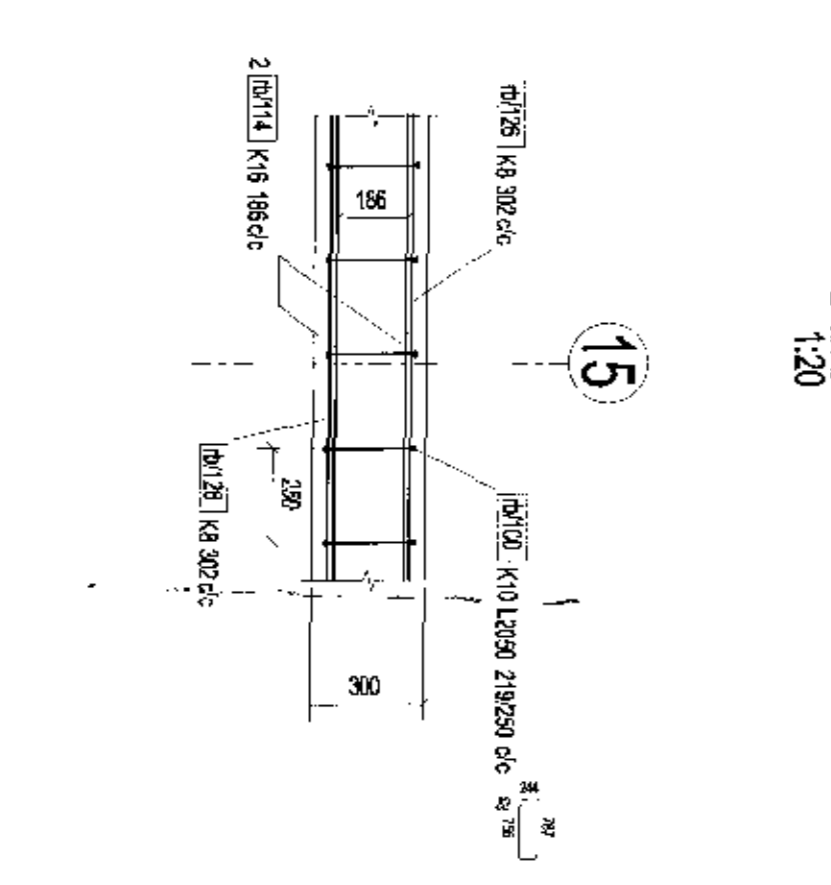
Detail 11
1:20



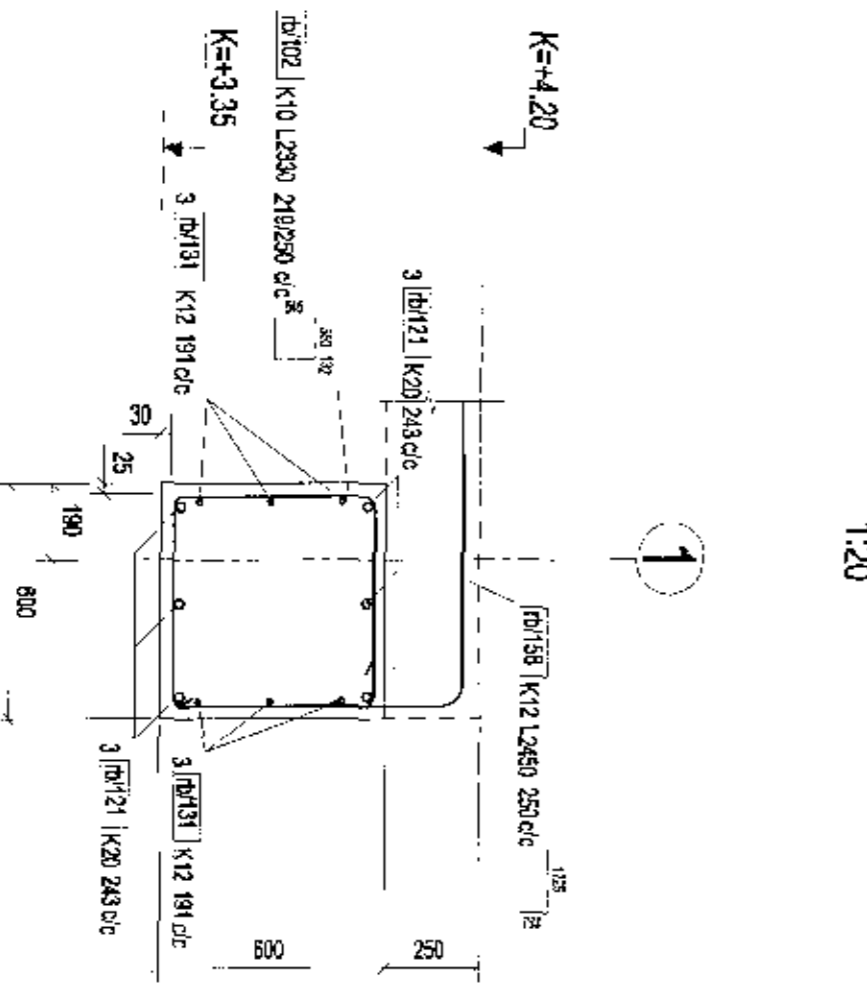
Detail 12
1:20



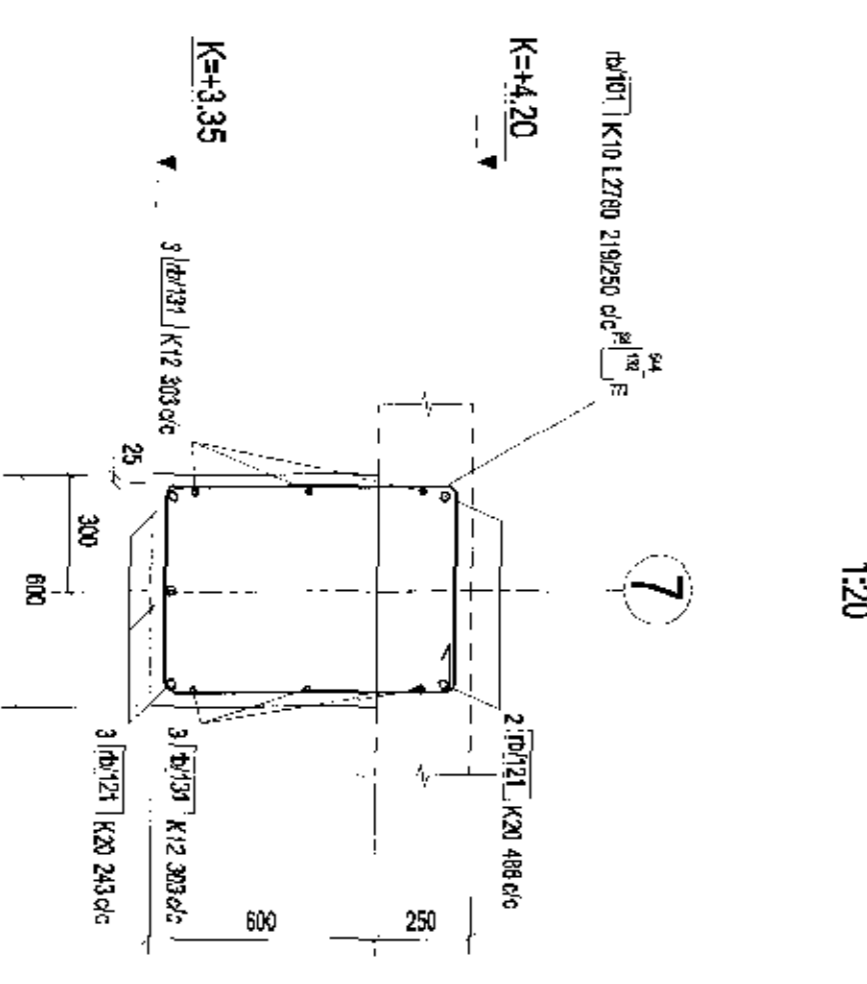
Detail 13
1:20



E-E
1:20



F-F
1:20



1:200

0	1000	2000	3000	4000	5000
1000	2000	3000	4000	5000	6000
2000	3000	4000	5000	6000	7000
3000	4000	5000	6000	7000	8000
4000	5000	6000	7000	8000	9000
5000	6000	7000	8000	9000	10000

1:100

0	1000	2000	3000	4000	5000
1000	2000	3000	4000	5000	6000
2000	3000	4000	5000	6000	7000
3000	4000	5000	6000	7000	8000
4000	5000	6000	7000	8000	9000
5000	6000	7000	8000	9000	10000

1:50

0	1000	2000	3000	4000	5000
1000	2000	3000	4000	5000	6000
2000	3000	4000	5000	6000	7000
3000	4000	5000	6000	7000	8000
4000	5000	6000	7000	8000	9000
5000	6000	7000	8000	9000	10000

1. OUT. MAL. DEBU (1 unit)
 2. ALU. DEBU (1 unit)
 3. SPRINGSAR. K. KOTI (1 unit)
 4. STRENSERPAK. BSO

1:100

120023-CF-06

A0