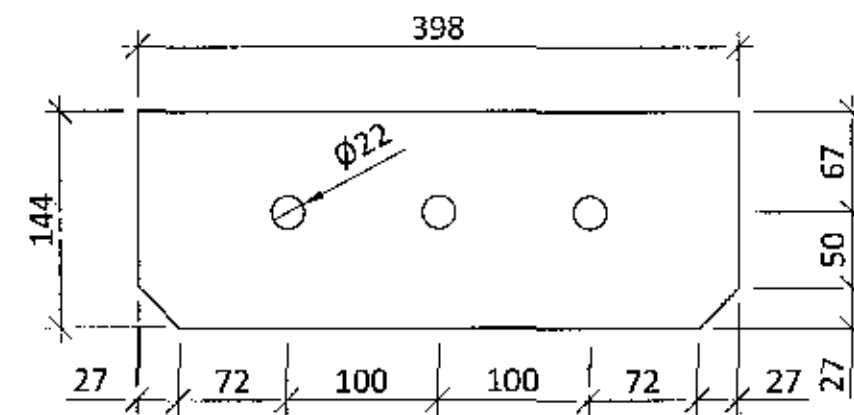
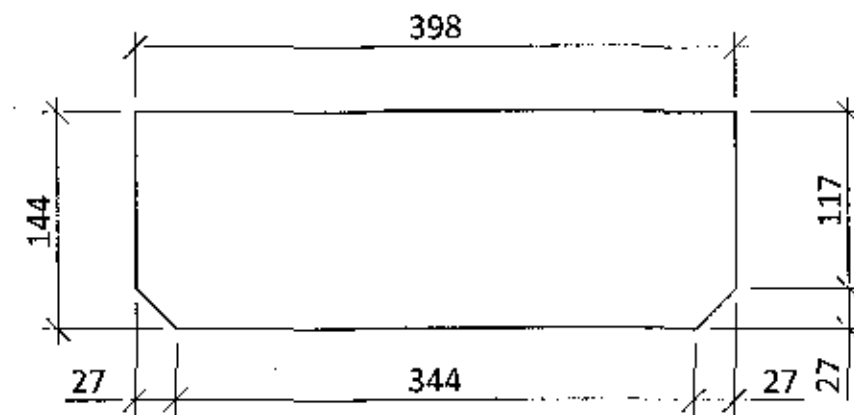


Sampykkt þann  
14 NOV 2017  
Byggingarfulltrúinn í Hafnarfirði  
F.h. Sigurður Steinar Jónsson

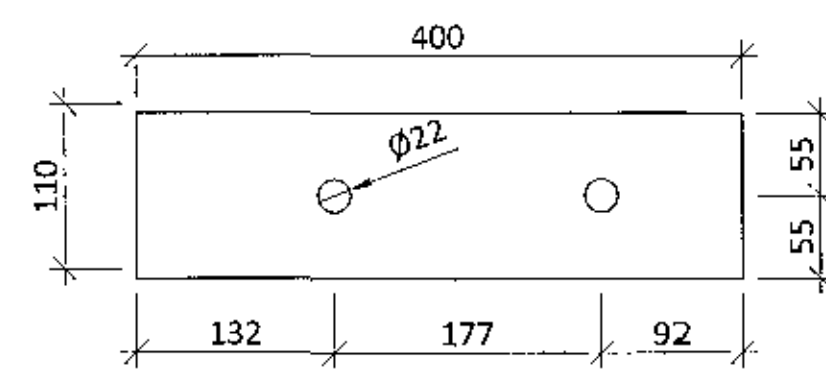
STEEL PLATE S039 - t=10mm - M1:5  
S355



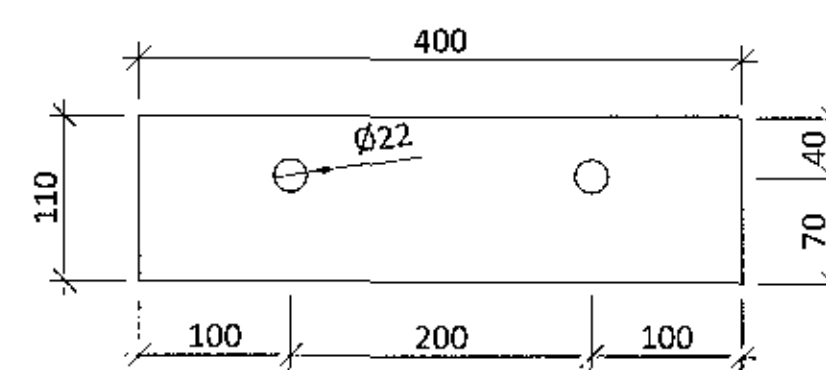
STEEL PLATE S040 - t=10mm - M1:5  
S355



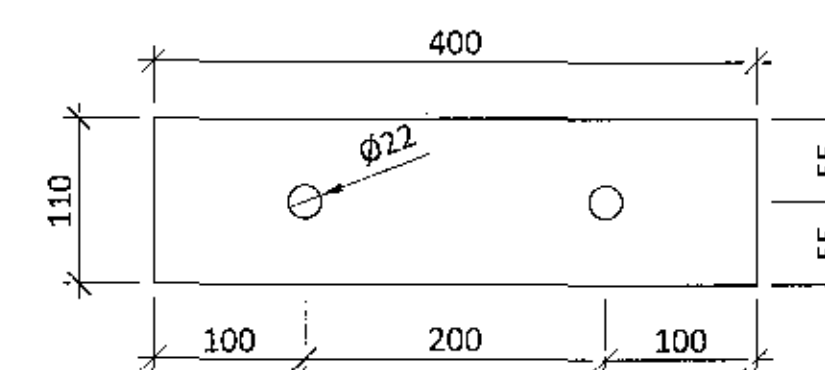
STEEL PLATE S041 - t=10mm - M1:5  
S355



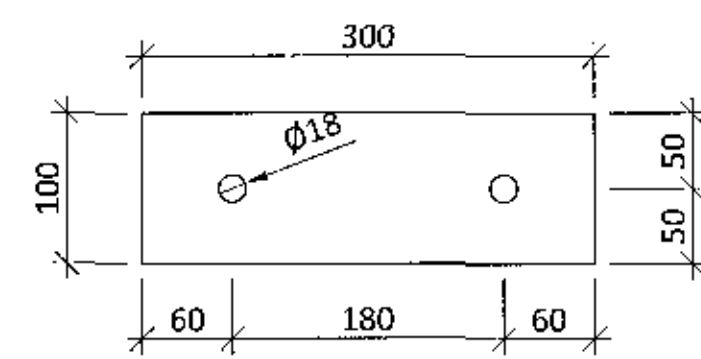
STEEL PLATE S042 - t=10mm - M1:5  
S355



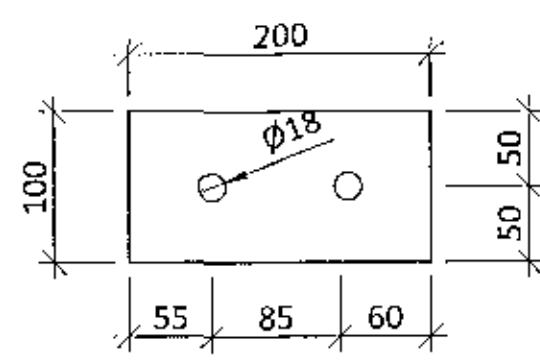
STEEL PLATE S043 - t=10mm - M1:5  
S355



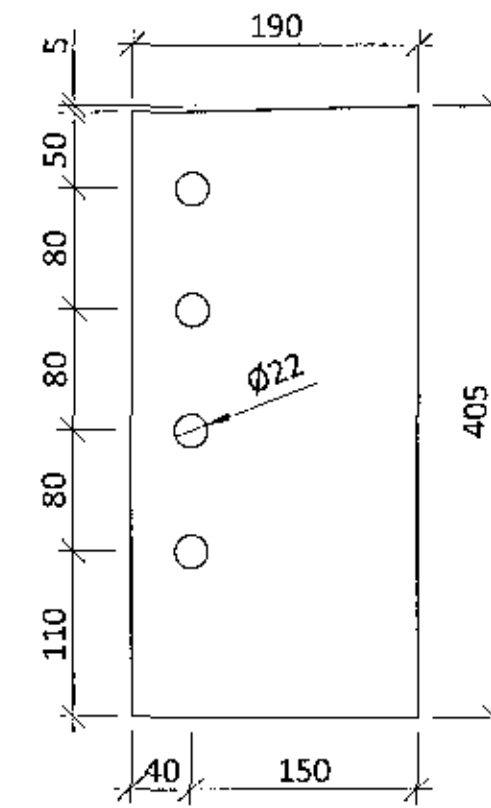
STEEL PLATE S044 - t=10mm - M1:5  
S355



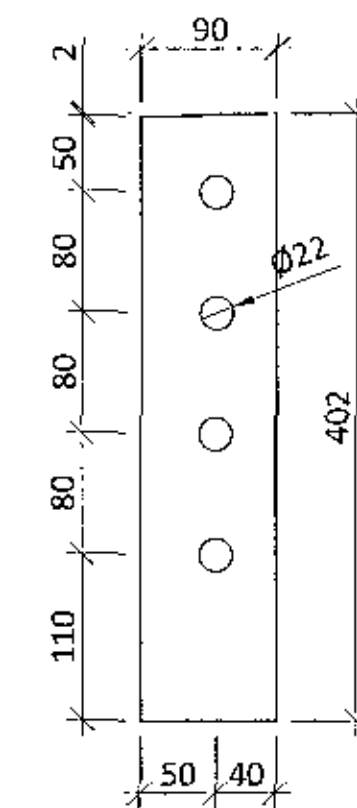
STEEL PLATE S045 - t=10mm - M1:5  
S355



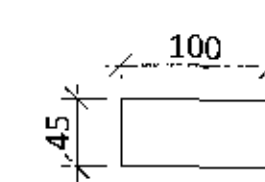
STEEL PLATE S046 - t=15mm - M1:5  
S355



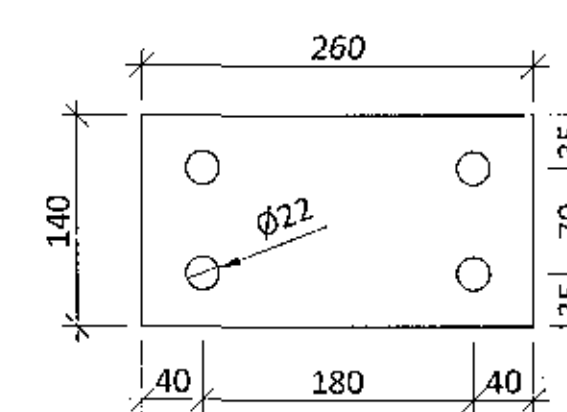
STEEL PLATE S047 - t=15mm - M1:5  
S355



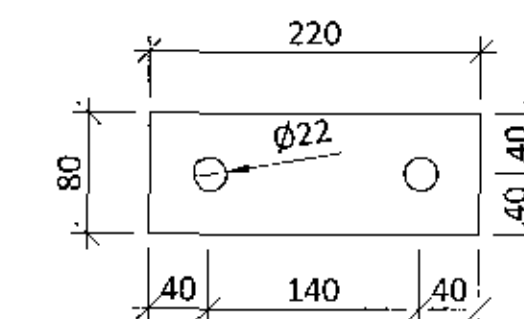
STEEL PLATE S048 - t=10mm - M1:5  
S355



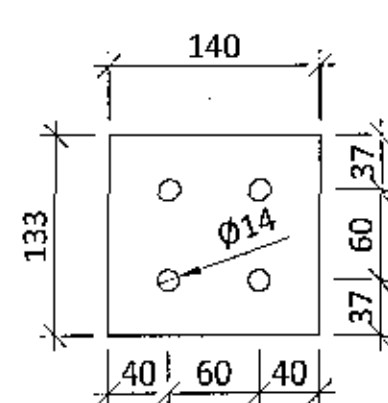
STEEL PLATE S049 - t=20mm - M1:5  
S355



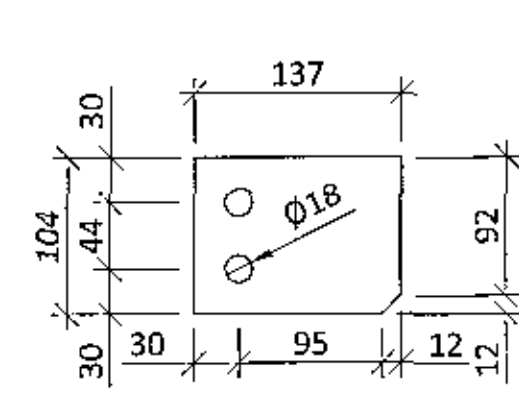
STEEL PLATE S050 - t=10mm - M1:5  
S355



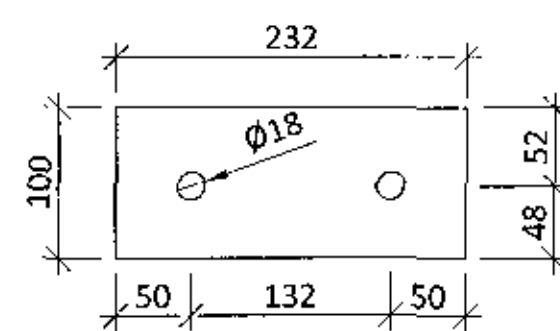
STEEL PLATE S051 - t=10mm - M1:5  
S355



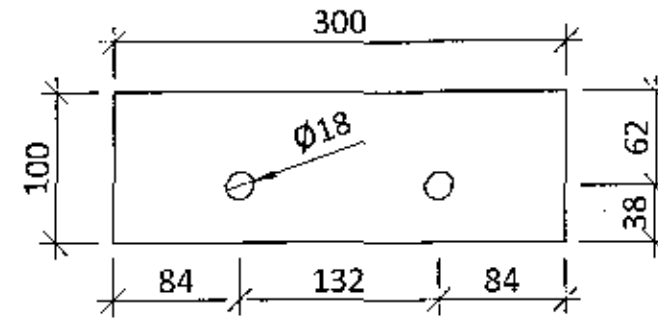
STEEL PLATE S052 - t=10mm - M1:5  
S355



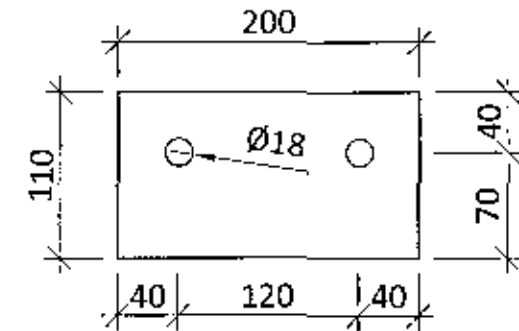
STEEL PLATE S070 - t=10mm - M1:5  
S355



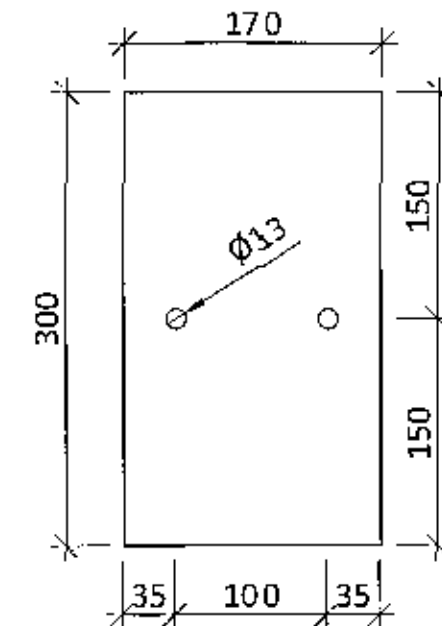
STEEL PLATE S071 - t=10mm - M1:5  
S355



STEEL PLATE S072 - t=10mm - M1:5  
S355



STEEL PLATE S073 - t=10mm - M1:5  
S355



ARITUN ADALHÖNDLUGA KT. 22-2017

A. 16.10.17 STEEL PLATES ADDED			
BR.	DAGS.	BREYTING	SAMP.

**ferill**  
VERKFRÆÐISTOFA

FLUGVELLIR 1 HAFNARFIRÐI  
FLIGHT SIMULATOR BUILDING  
STEEL STRUCTURE  
STEEL PLATES

SAMPYKKT: <i>[Signature]</i> KT. 22-2017			
HÖNDLUGUR	YFIRFÁRÐ	DAGS. ÚTG.	DAGS. BREYT.
PÓ	HE	17.03.14	16.10.17
MIKV.	VERKFR.	TEK.NR.	BREYT.
1:5	14035	1 - 2062	A