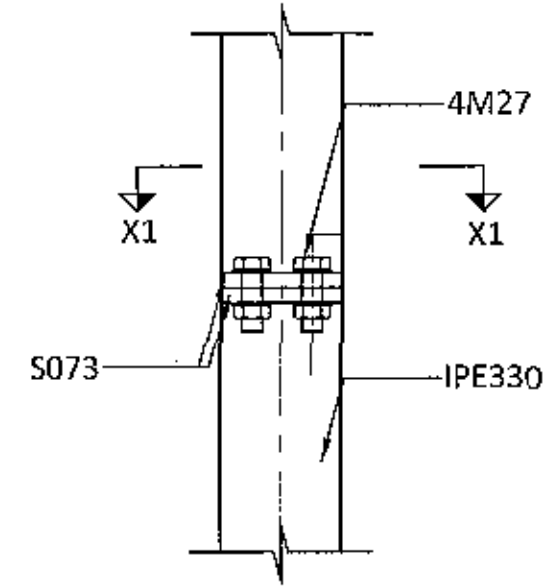
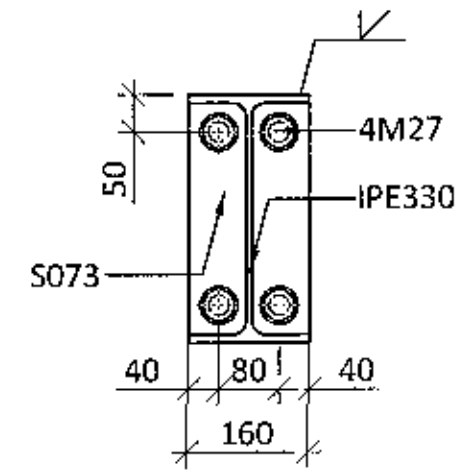


ARITUN BYGGINGARFULLTRÚA
 20. ág. 2017
 [Signature]

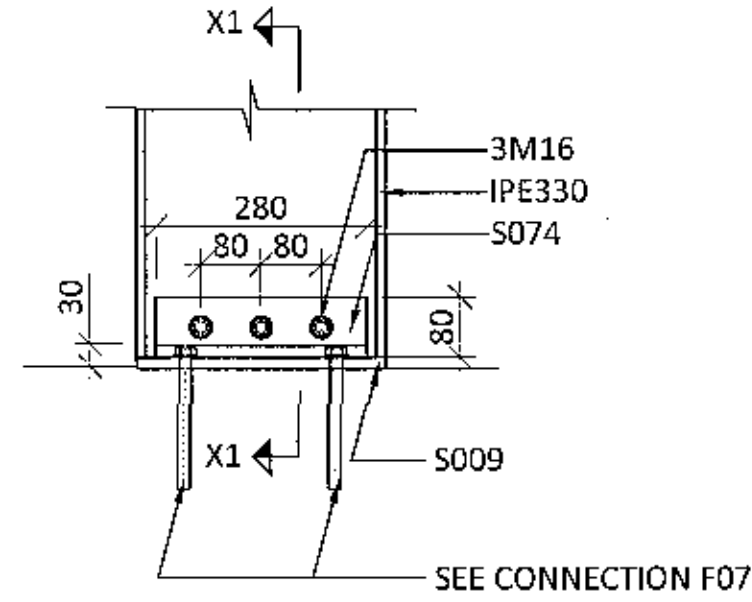
CONNECTION F140- M1:10



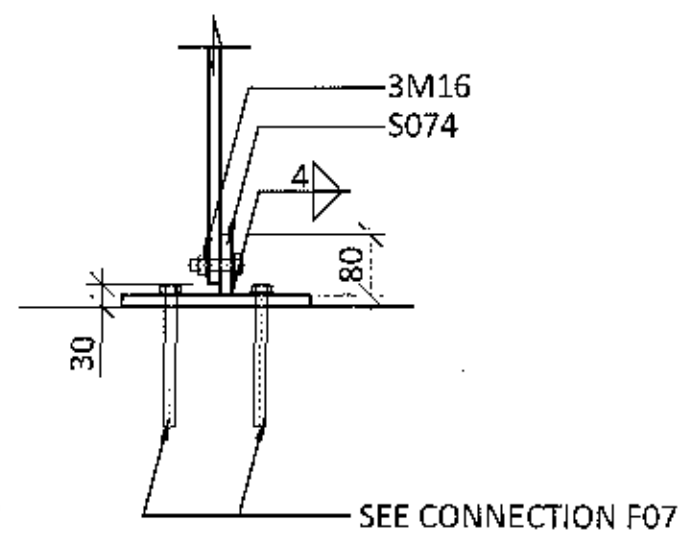
SECTION X1-X1 - M1:10



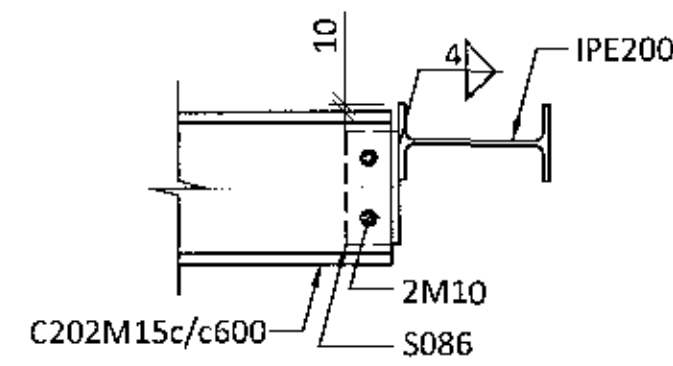
CONNECTION F141- M1:10



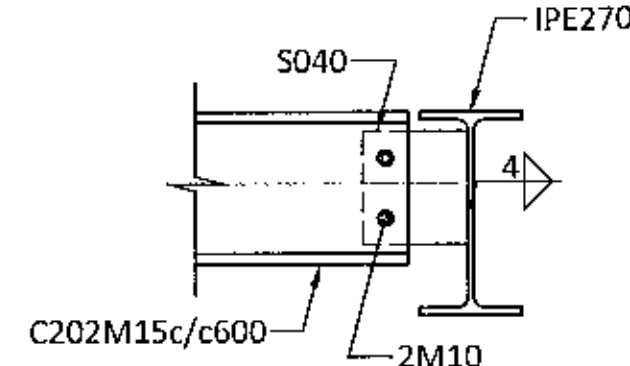
SECTION X1-X1 - M1:10



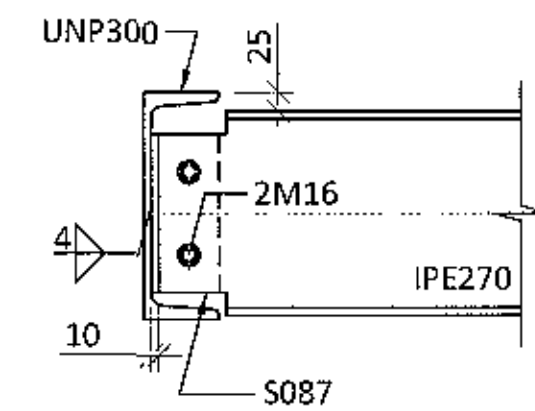
CONNECTION F142 TYP. - M1:10



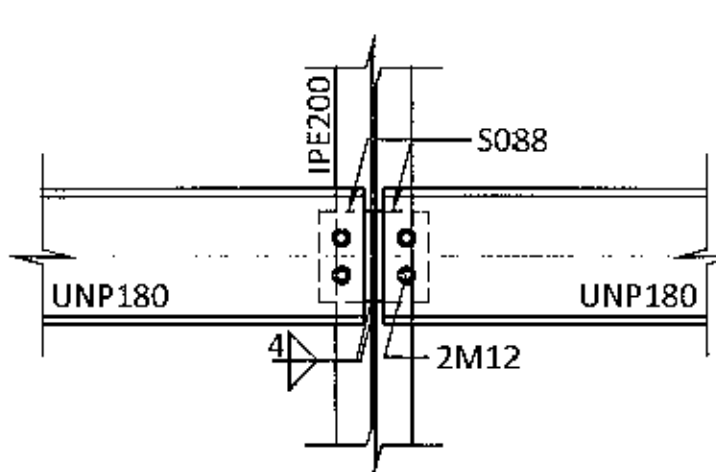
CONNECTION F143 TYP. - M1:10



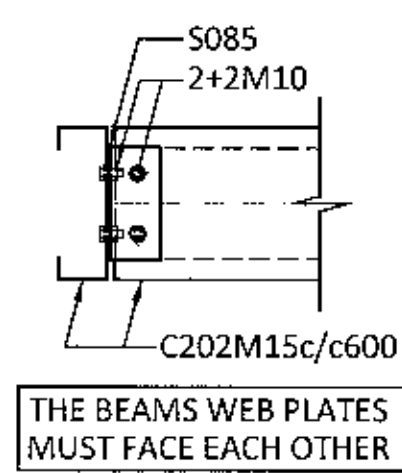
CONNECTION F144 TYP. - M1:10



CONNECTION F145 TYP. - M1:10

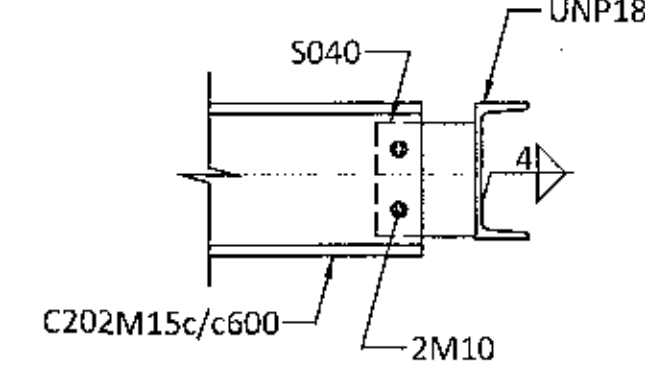


CONNECTION F146 TYP. - M1:10

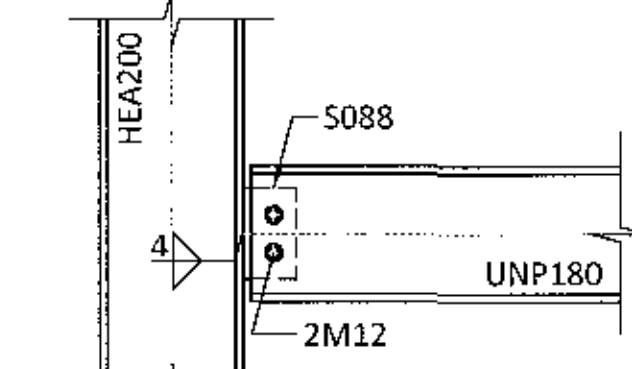


THE BEAMS WEB PLATES MUST FACE EACH OTHER

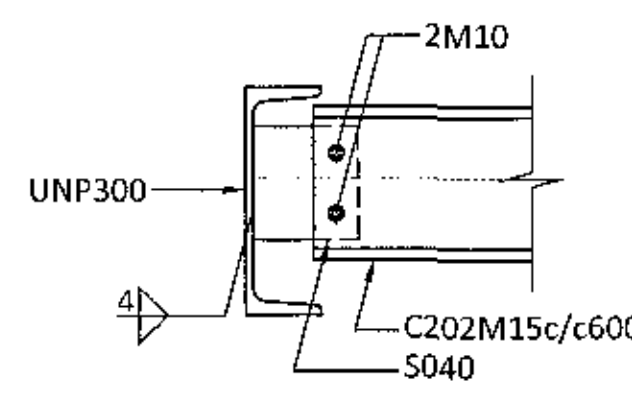
CONNECTION F147 TYP. - M1:10



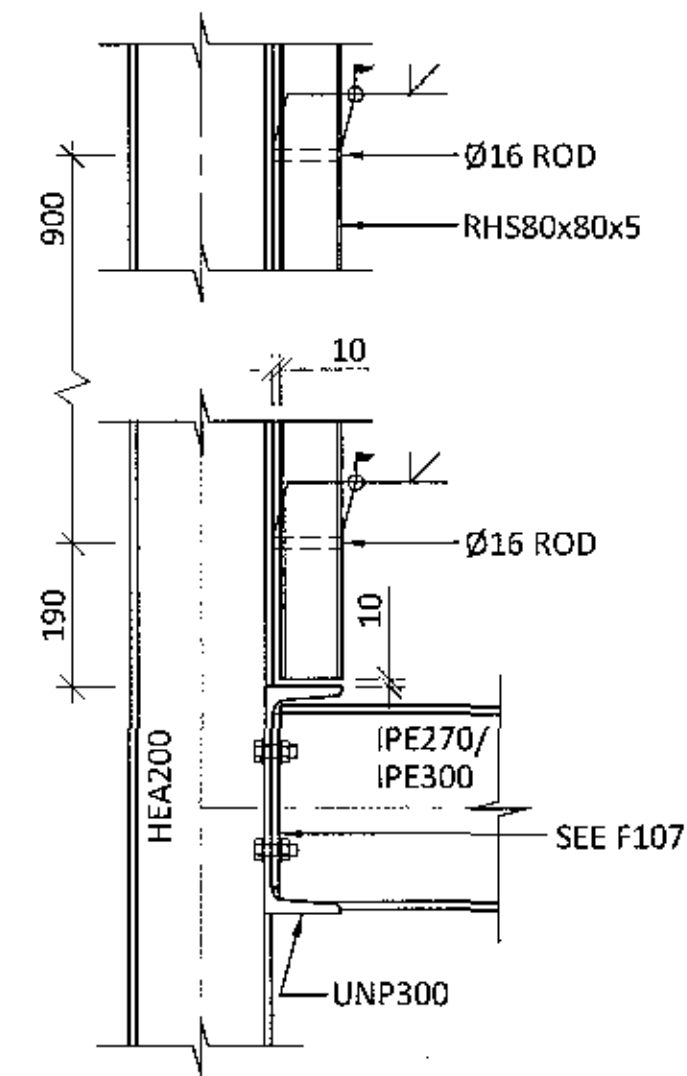
CONNECTION F148 TYP. - M1:10



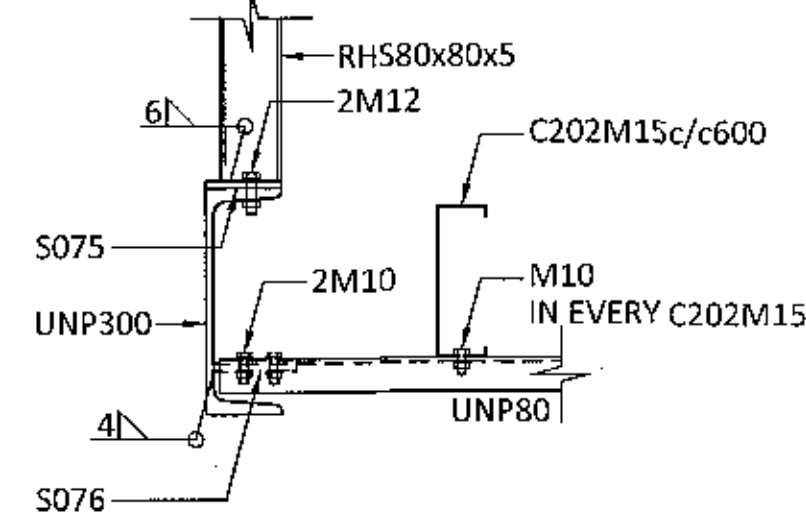
CONNECTION F149 TYP. - M1:10



CONNECTION FOR HANDRAILS IN GRIDLINES TYP. - M1:10



CONNECTION FOR HANDRAILS BETWEEN GRIDLINES TYP. - M1:10



ARITUN BYGGINGARFULLTRÚA
 [Signature] 20. ág. 2017

BI	27.11.17	SNIDI F149 BÆTT VID	
AI	26.09.17	CONNECTIONS ADDED	
BR.	DAGS.	BREYTING	SAMB.



FLUGVELLIR 1 HAFNARFIRDI
 FLIGHT SIMULATOR BUILDING
 STEEL STRUCTURE
 CONNECTIONS

SAMÞYKKT:	KT.	[Signature]					
HÖNNUÐUR	YRIFARID	DAGS. UTG.	DAGS. BREYT.				
PÓ	thorri@ferill.is	SB	30.05.17	27.11.17			
MKV.	1:10	VERKNA	14014	TEKNI. NÚL.	1 - 2556	BREYT.	B