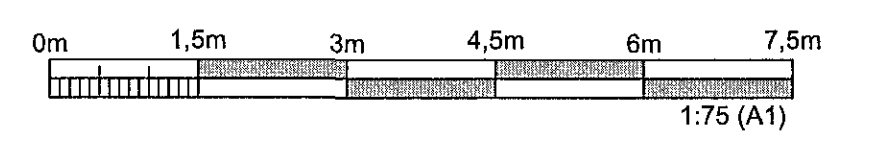
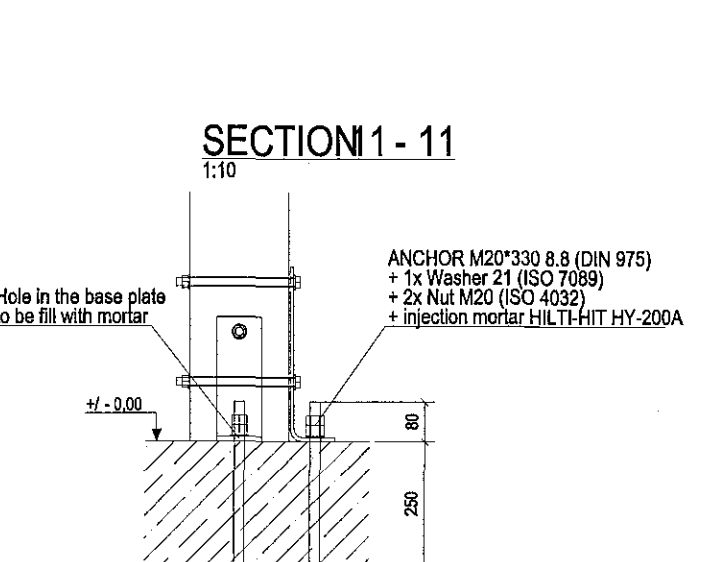
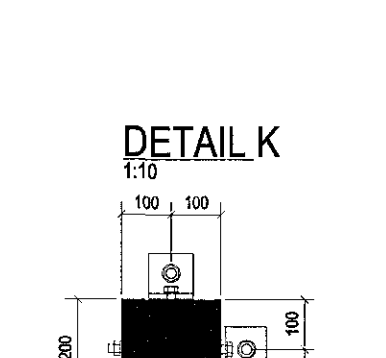
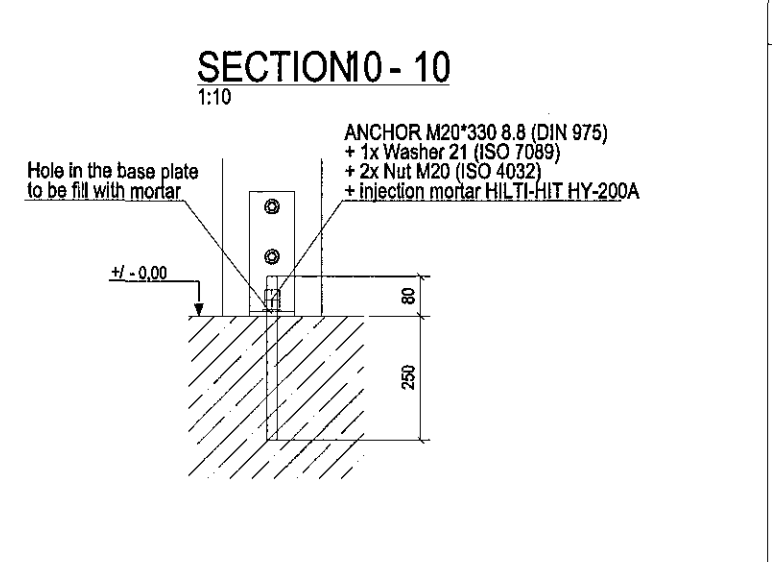
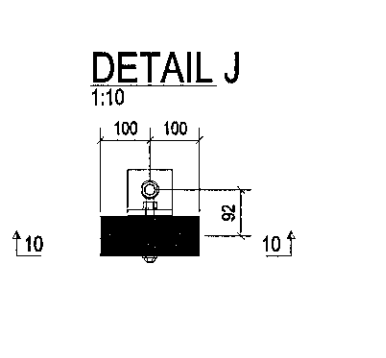
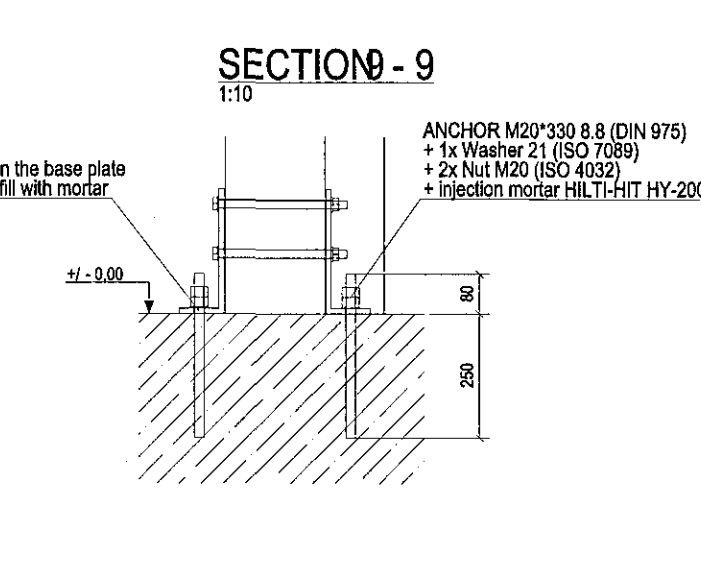
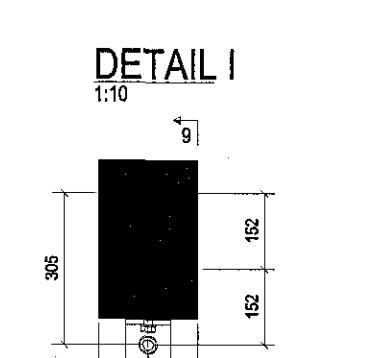
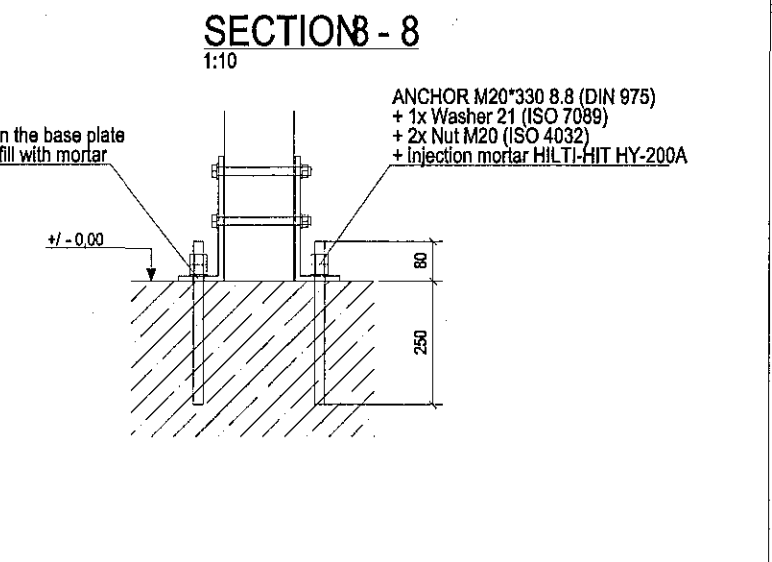
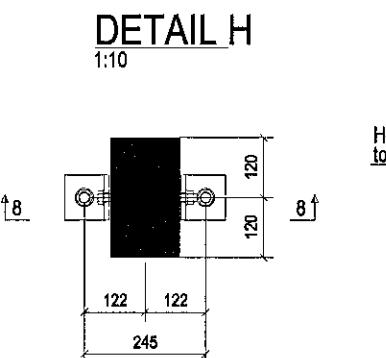
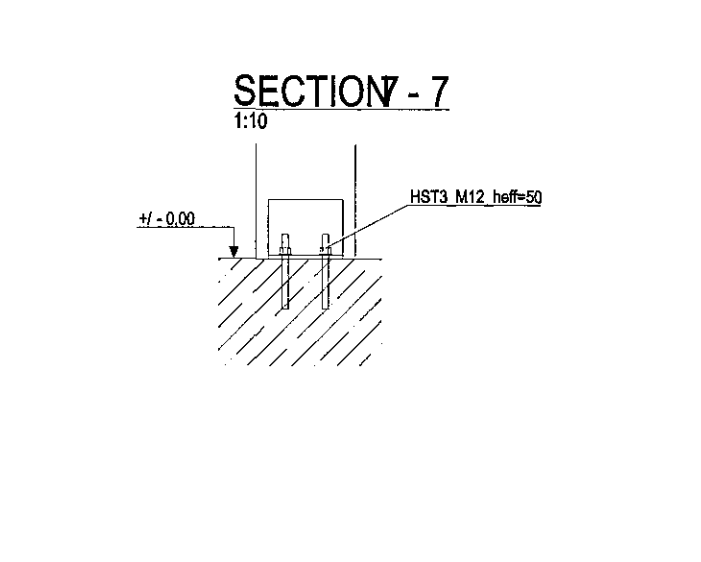
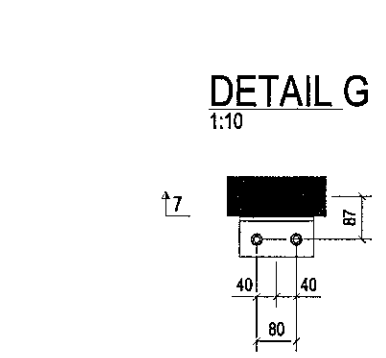
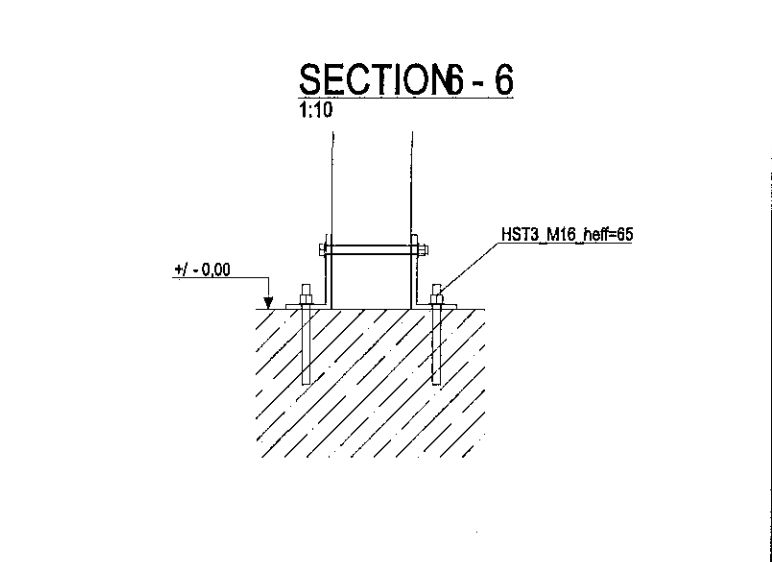
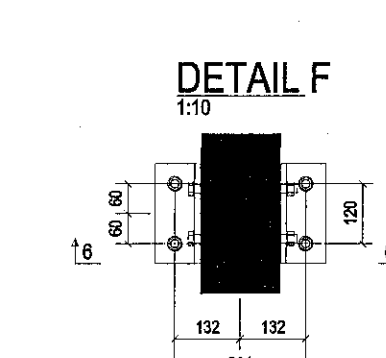
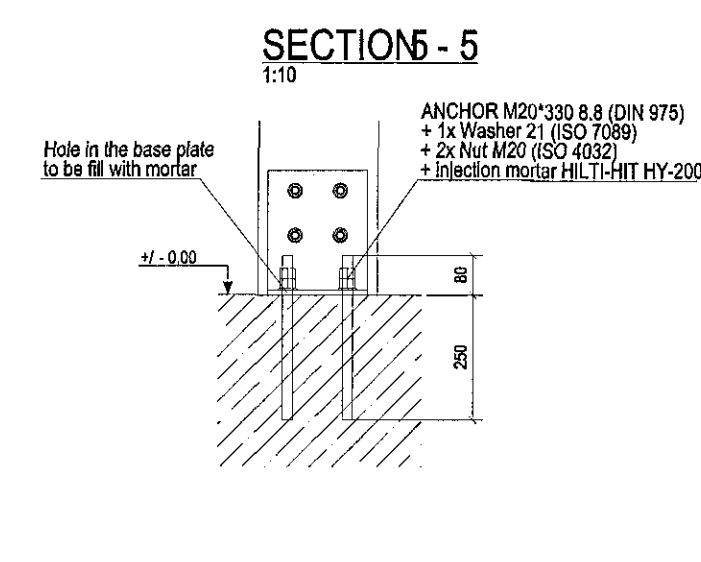
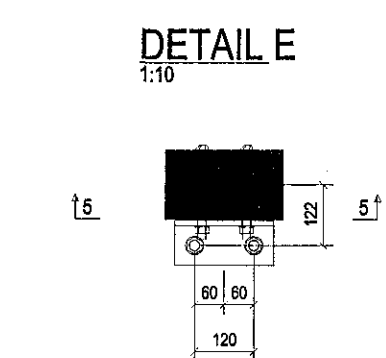
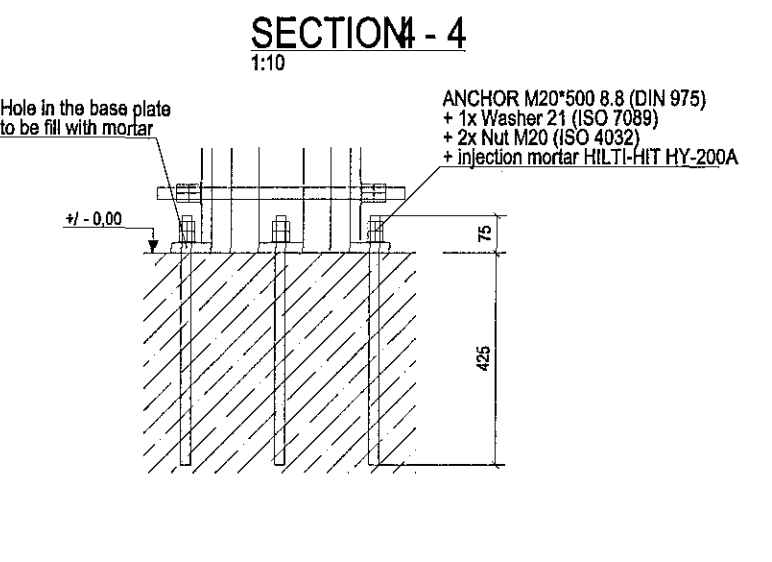
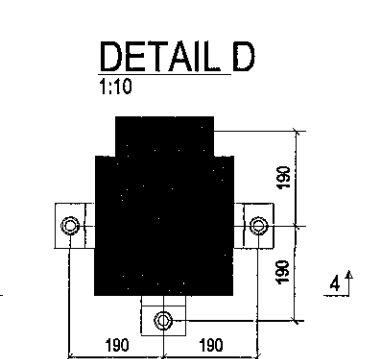
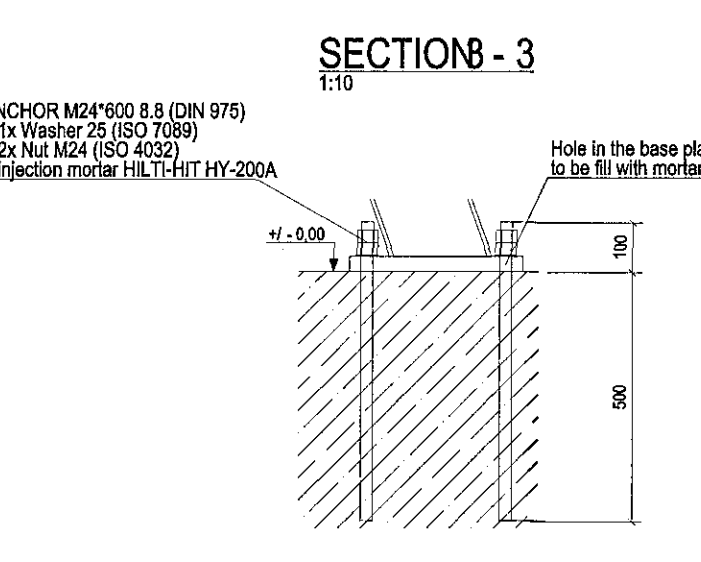
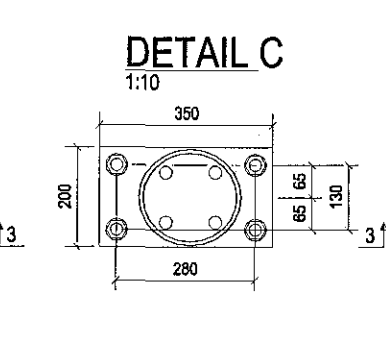
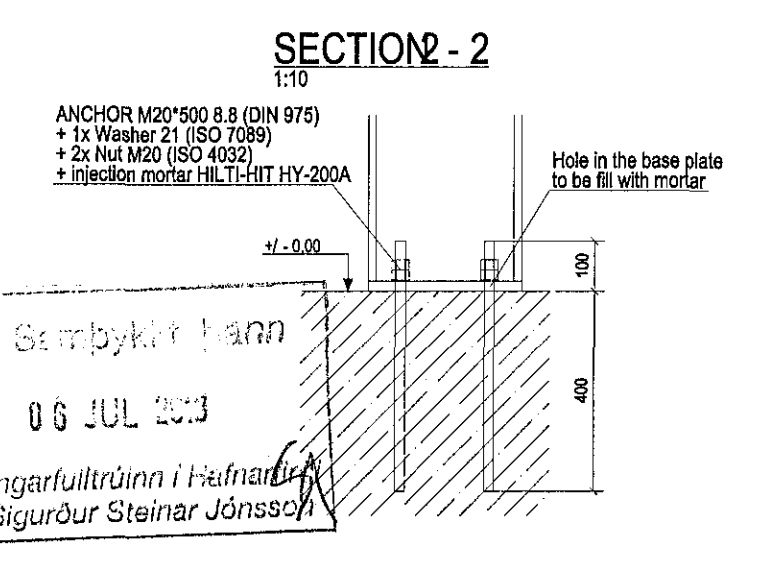
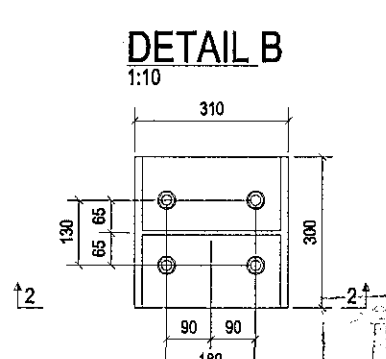
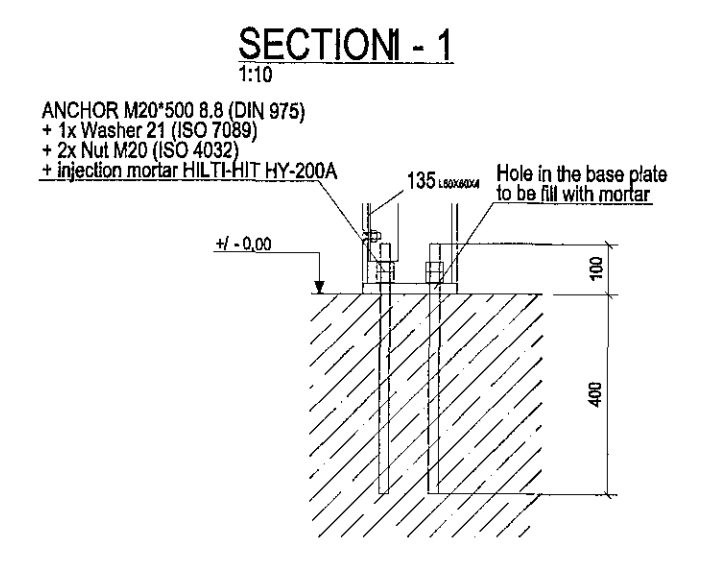
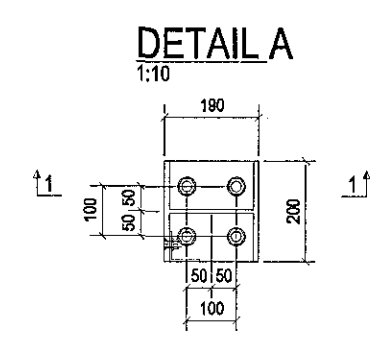
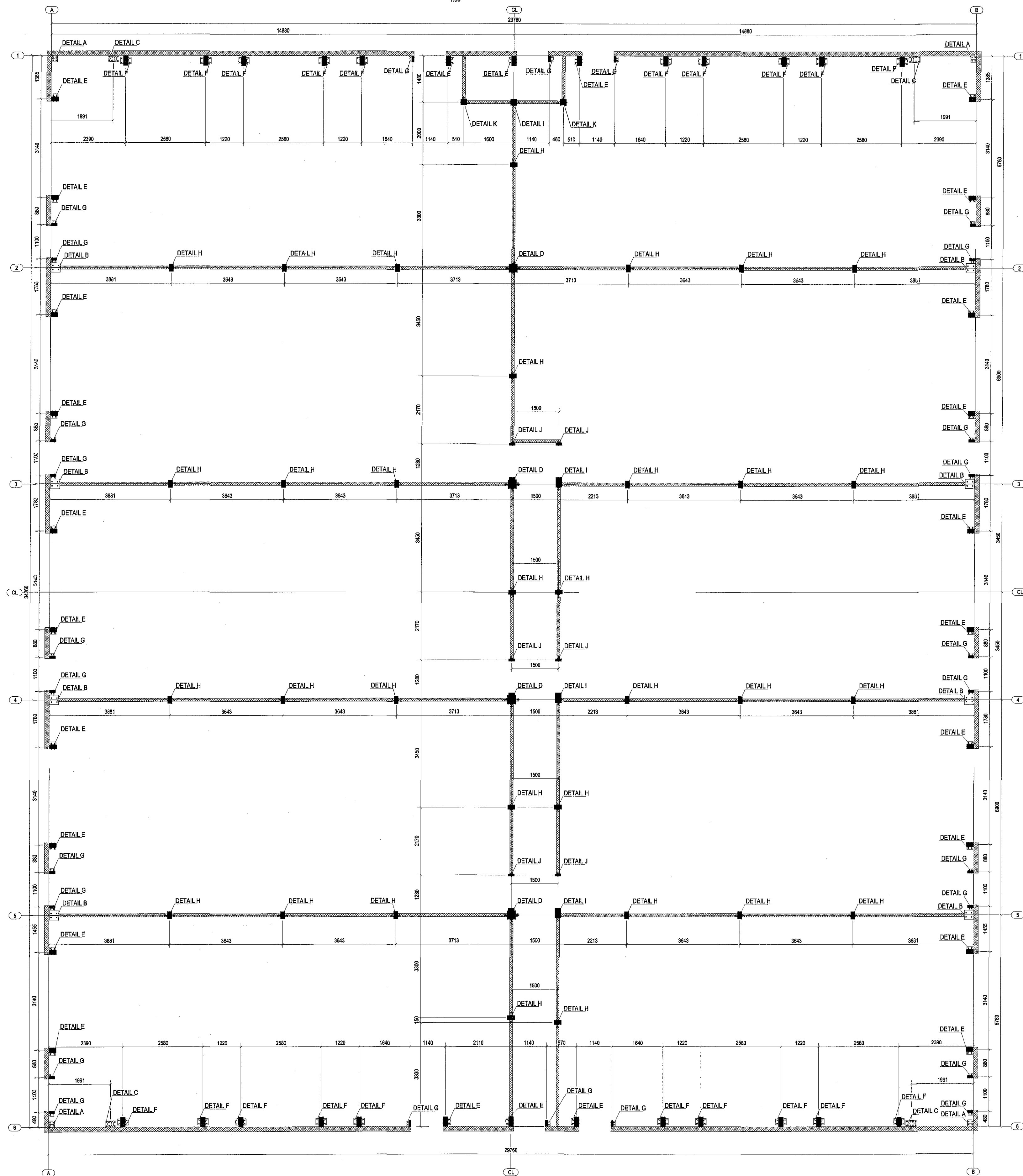


ANCHORING - LEVEL-0,00



Byggingarvagnafélagið  
Rt. 200897-21169

Project Name	ALPHÉLLA 7	Client	STEEL HALL
Project No.	2018-170-01-01-03	Scale	1:75
Project Date	2018-07-01	Project Status	Final
Project Location	GA - ANCHORING	Project Manager	Ólafur Þ. Guðmundsson
Project Designer	ENGINEERING OFFICE KOZLOWSKI-PROJEKT	Project Engineer	Ólafur Þ. Guðmundsson
Project Checker	Ólafur Þ. Guðmundsson	Project Approver	Ólafur Þ. Guðmundsson