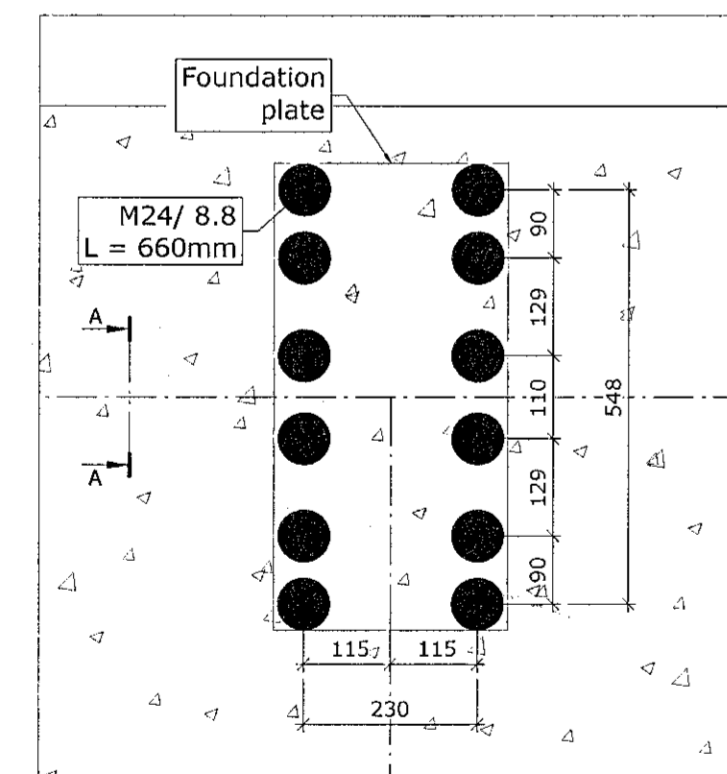
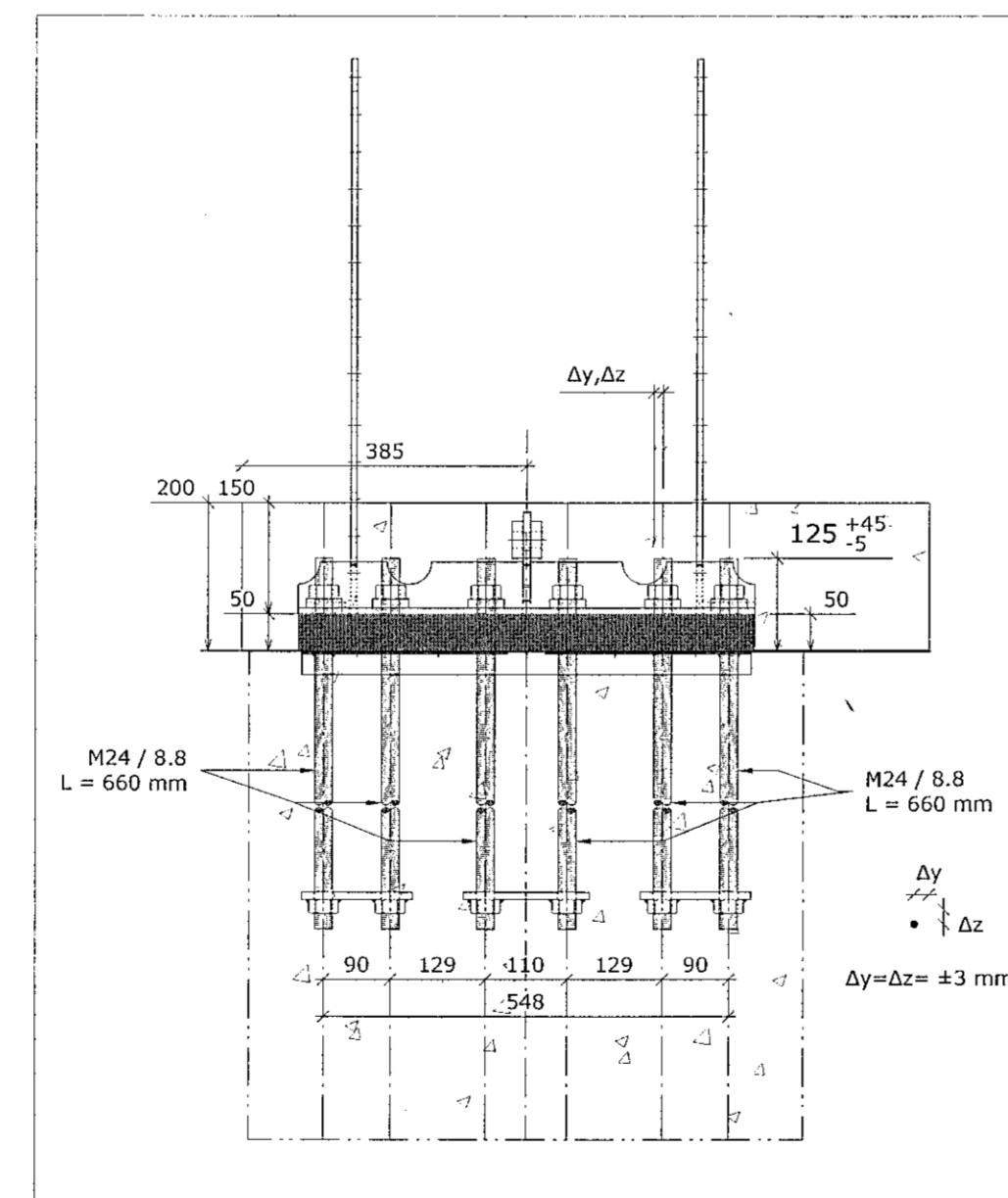


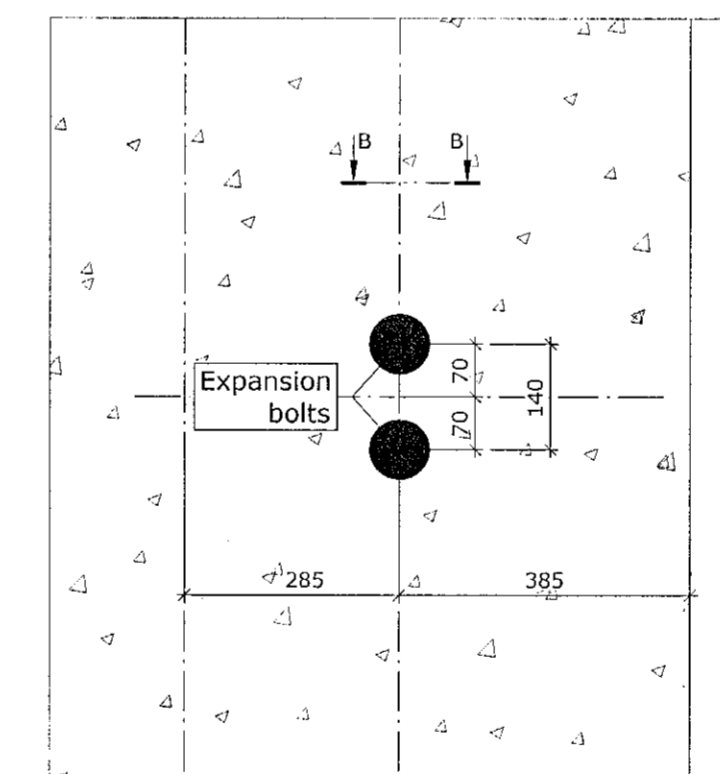
DETAIL 1 (D1)  
SCALE 1/10



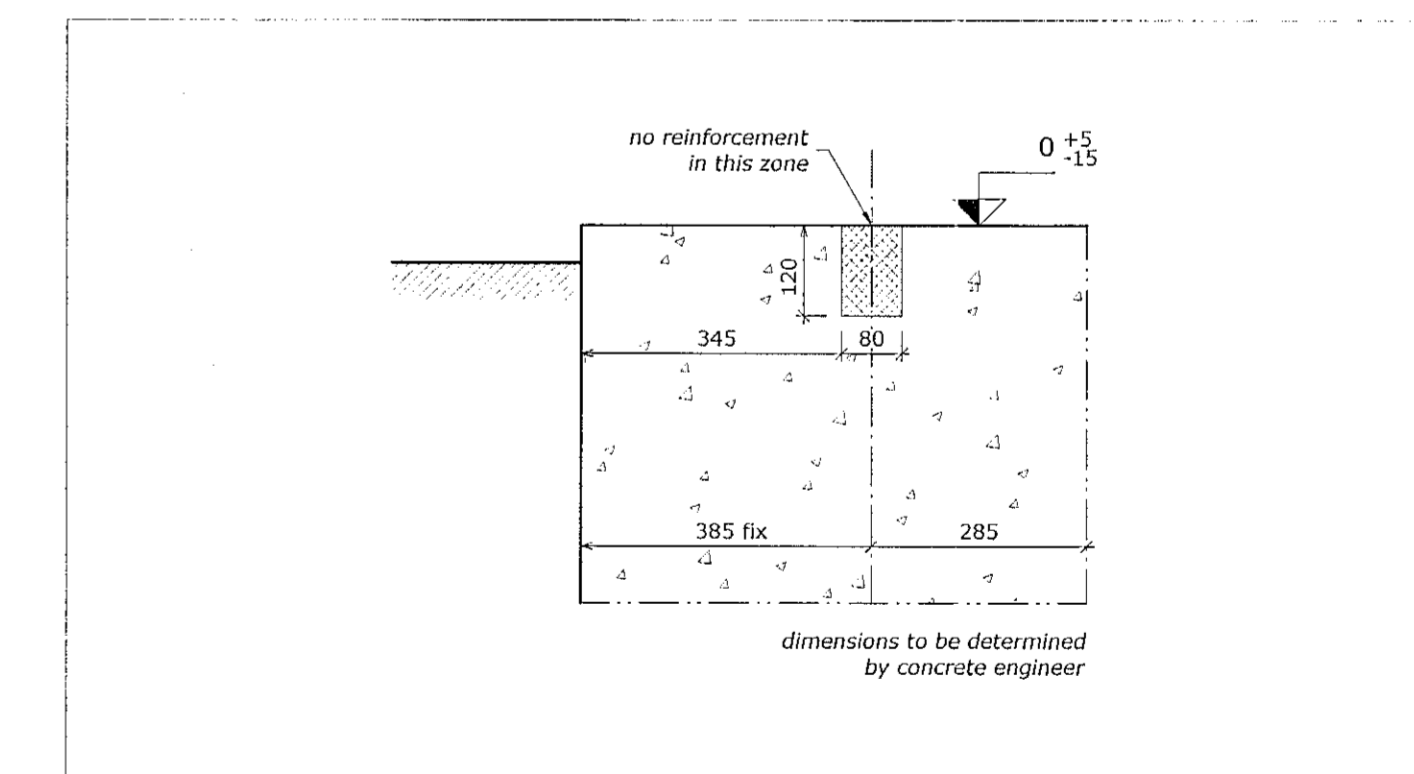
SECTION A-A  
SCALE 1/10



DETAIL 2 (D2)  
SCALE 1/10



SECTION B-B  
SCALE 1/10



Foundation plan: Anchor plan		BR: DAGS: TEXTI	
FRISOHALL 10_FC_TRh		width: 24.7 m	height: 6.2 m
client: Bus Repair Shop Extension - GSV		length: 26 m	
Alhella - Hafnarfjörður Iceland		ÁRITUN HÖNNUNARSTJÓRA: <i>L. Rafnsson</i>	
FRISO MAT Innovators in steel buildings		Álhella 4 stækkun Hafnarfirði	
N.V./S.A. Stokerijstraat 79 B-2110 WILNEGEM (ANTWERP) tel: +32 3 353 33 99 fax: +32 3 353 32 52 e-mail: info@frisomat.be		Boltaplan og snið	
date: 26/09/2019 scales: 1/100 - 1/10 project nr: ax1801037 order nr: EX 035-19 K.G.		HANNAD: Frisomat Samþykkt <i>[Signature]</i>	
VK Verkfræðistofa Suðurlandsbraut 46, 108 Rvík Sími: Gsm 821-4922 verkop@vkm.is Krislinn Már Þorsléinsson		DAGS: Desember 2019 KT:130257-2409 SKJAL: A1 1:100 BLAD NR. FR01 A1	