

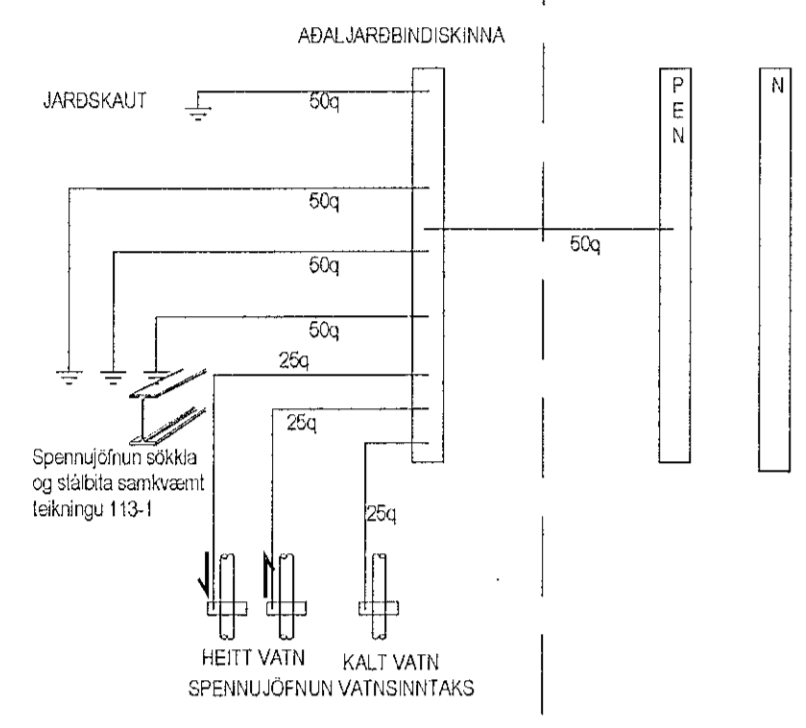
ADALTAFLA T0.0

Samþykkt þann
28. sep. 2020
F.h. byggingarfulltrúans í Framfarði
Sigurður Steinar Jónsson

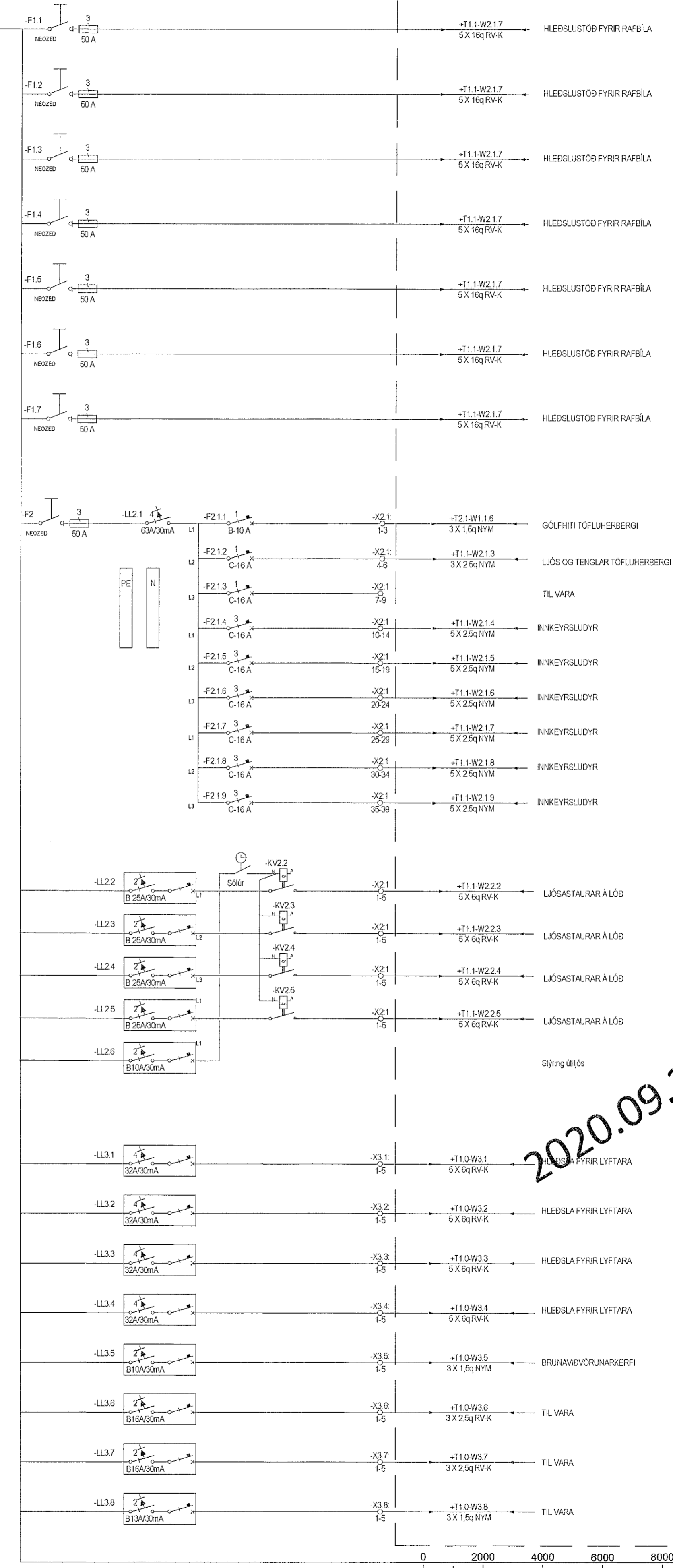
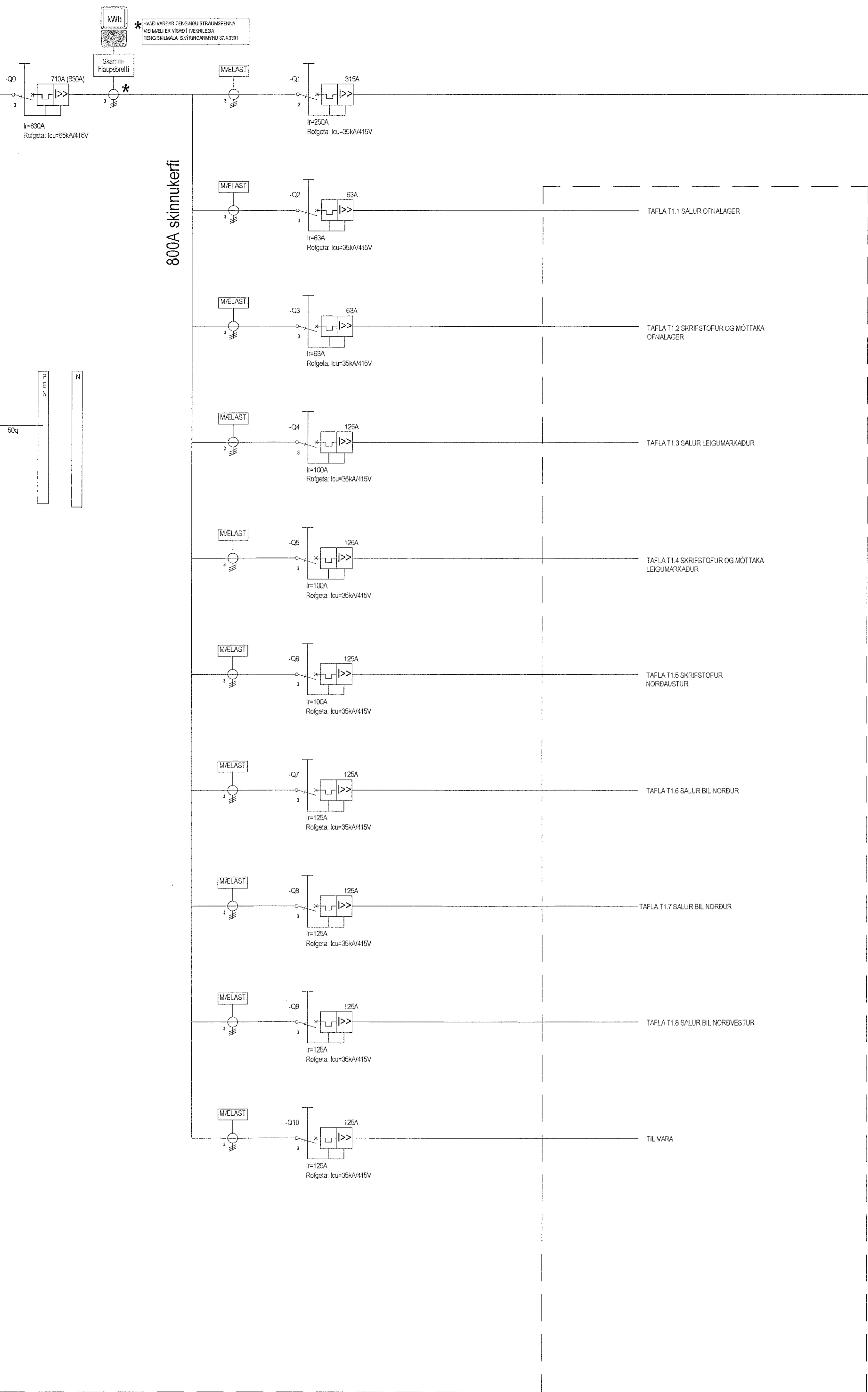
ÚTF.	DAGS	ÚTGAUFERILL	HAHAND. TEKI/ YFRF.
---	---	---	---
---	---	---	---
---	---	---	---
---	---	---	---
---	---	---	---
---	---	---	---
---	---	---	---
---	---	---	---
---	---	---	---
---	---	---	---

Heimtaug 3X710A/400V
710 A - 2 x (4 x 300 Al)
Frá Rafveitu

Rafverktaki skal mæla
jarðskautsviðnám, ganga skal
frá sérjarðskauti samkvæmt
reglugerð



800A skinnkerfi



2020.09.28 Heimtaugasett

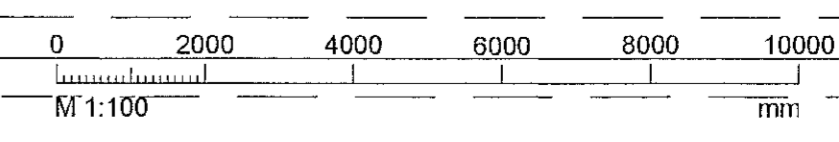
TESLA ehf
Rafagna- og lýsingarhönnun
Svanbjörn Einarsson, kt.180265-3339
698-2624, svanbjorn@teslaehf.is

Iðnaðarhúsnæði
Selhella 1
221 Hafnarfjörður

Rafkerfi
Einlínunynd
Aðaltafli T1.0

TEKJANÖMUR	BLAÐSTÆRÐ	HAUND:	SVE
04032020.01	A1	TEKNIAD:	SVE
01_15_01		YFRIFARÐ:	SVE

DAGS: 2020.09.22
MELIÐVARI: Enginn
ÚTGAFA: A



Dagsetning aðlöpsáttar: nú dags
Höfundur: Svanbjörn Einarsson kt.180265-3339
Höfundursetur: [Signature]

T:\Virkisamgöngu\2020\03\04_Selhella_1\4_Virkisamgöngu\T0_0_Aðaltafli rafkerfis.dwg