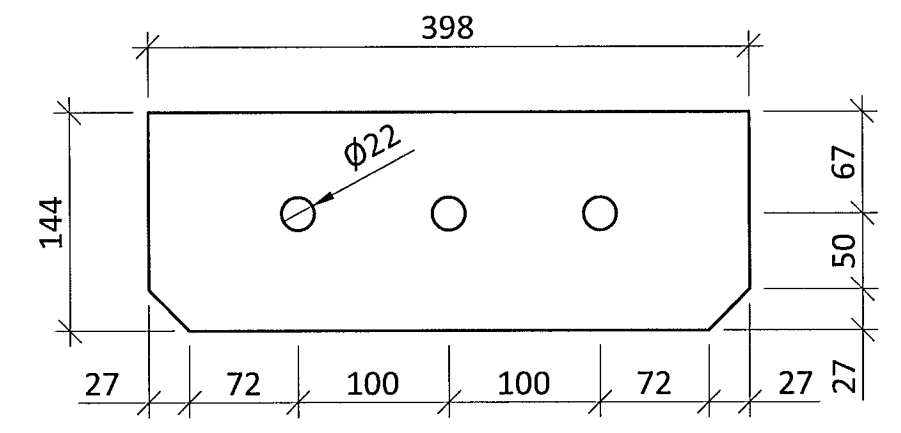
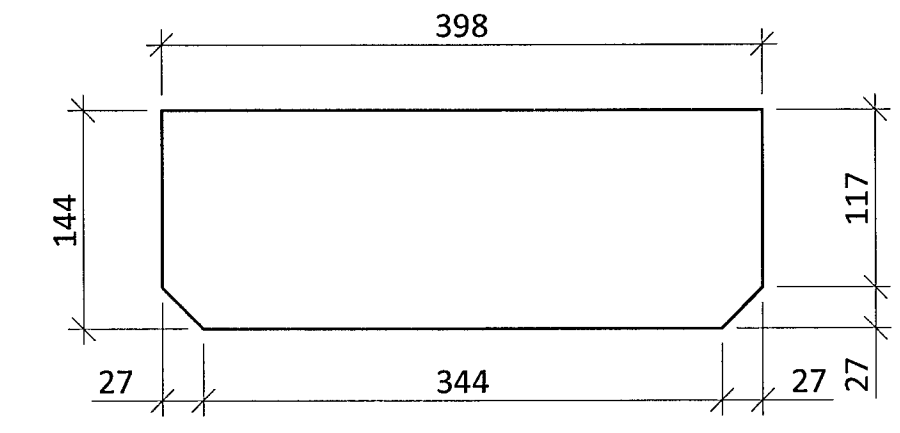


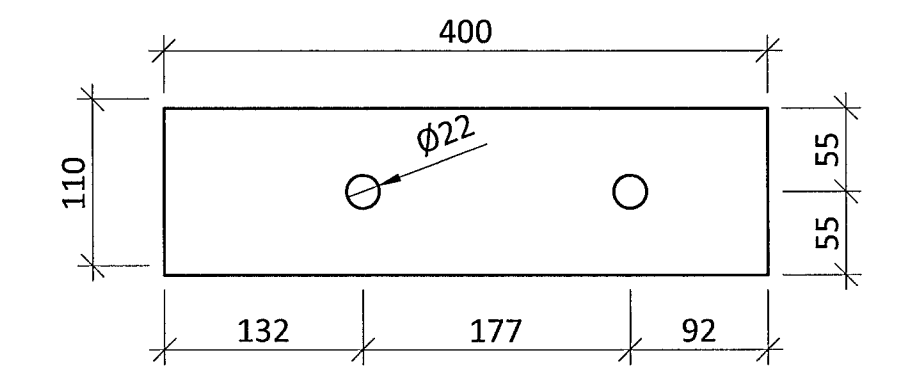
STEEL PLATE S039 - t=10mm - M1:5  
S355



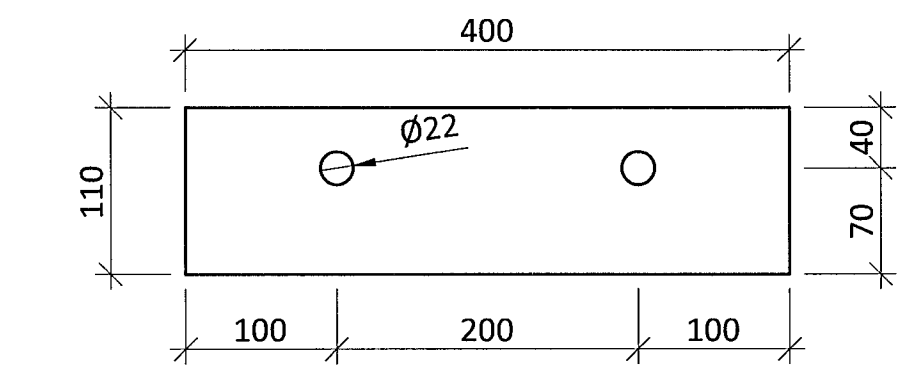
STEEL PLATE S040 - t=10mm - M1:5  
S355



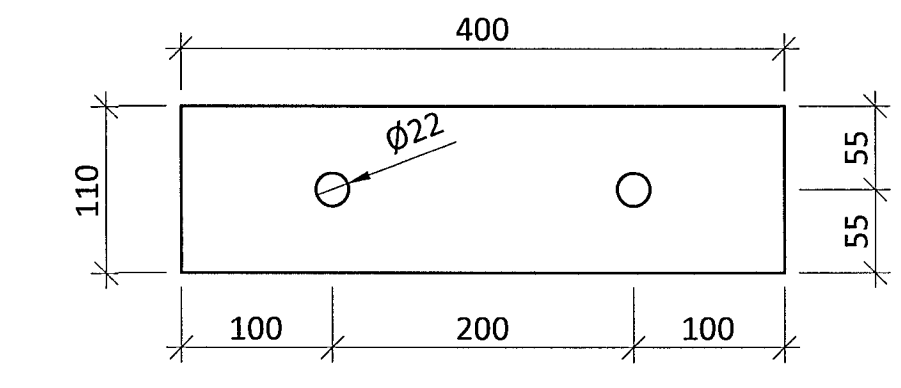
STEEL PLATE S041 - t=10mm - M1:5  
S355



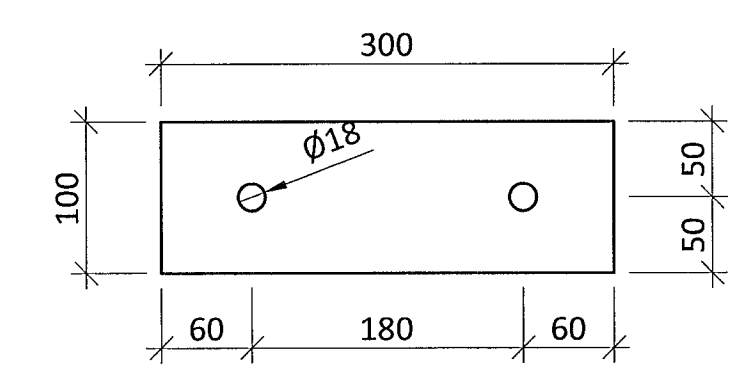
STEEL PLATE S042 - t=10mm - M1:5  
S355



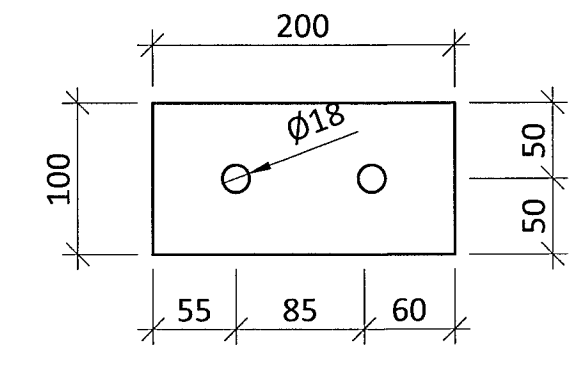
STEEL PLATE S043 - t=10mm - M1:5  
S355



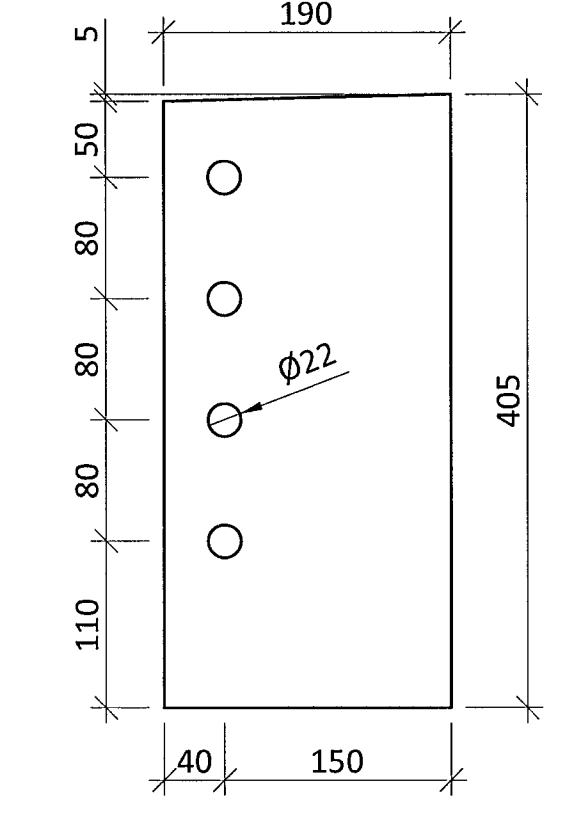
STEEL PLATE S044 - t=10mm - M1:5  
S355



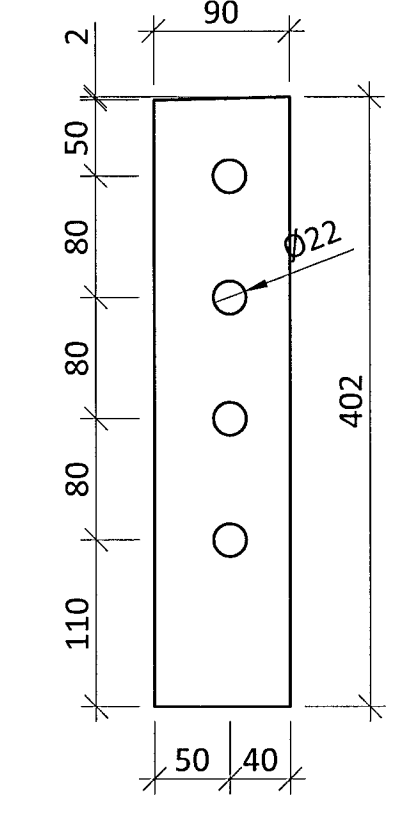
STEEL PLATE S045 - t=10mm - M1:5  
S355



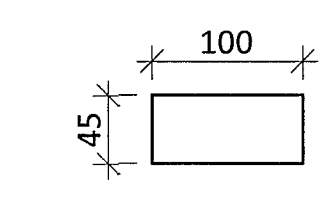
STEEL PLATE S046 - t=15mm - M1:5  
S355



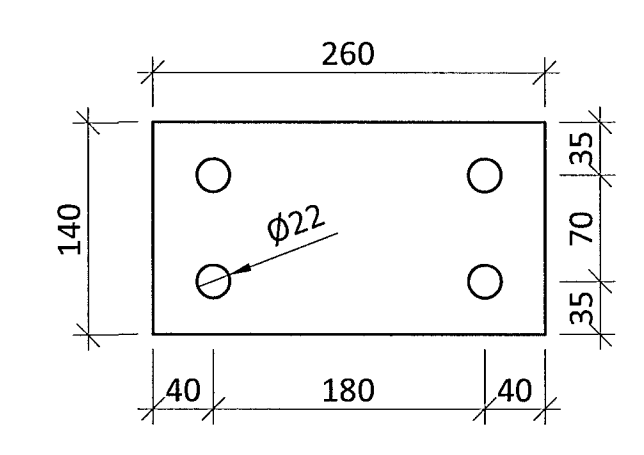
STEEL PLATE S047 - t=15mm - M1:5  
S355



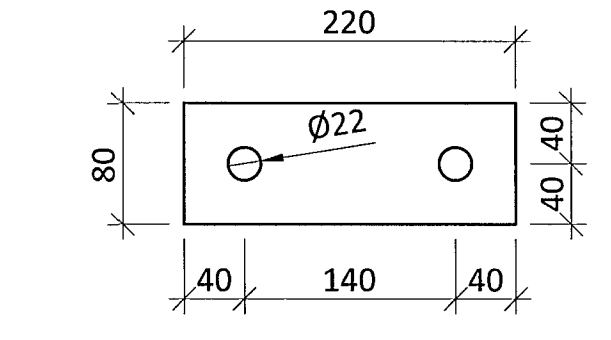
STEEL PLATE S048 - t=10mm - M1:5  
S355



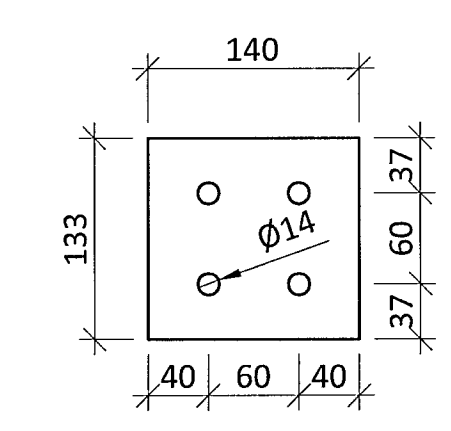
STEEL PLATE S049 - t=20mm - M1:5  
S355



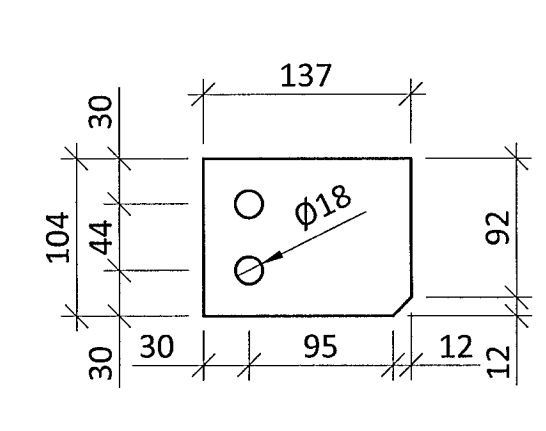
STEEL PLATE S050 - t=10mm - M1:5  
S355



STEEL PLATE S051 - t=10mm - M1:5  
S355



STEEL PLATE S052 - t=10mm - M1:5  
S355



ÁRITUNADALHÖNNUDAR: *Eli Heiðar* KT. 01/25/2015

BR.	DAGS.	BREYTING	SAMÞ.



**FLUGVELLIR 1** HAFNARFIRÐI  
FLIGHT SIMULATOR BUILDING  
STEEL STRUCTURE  
STEEL PLATES

SAMPYKKT: <i>Eli Heiðar</i> KT. 01/25/2015			
HÖNNUDUR ÞÓ	YFIRFARND HF	DAGS. ÚTFG. 17.03.14	DAGS. BREYTT.
MKV. 1:5	VERKFR. 14035	TEIKN. NÚM. 1 - 2062	BREYTT.
Ferill ehf. Mörkin 1 108 Reykjavík Sími: 575 1600 Fax: 575 1601 www.ferill.is			