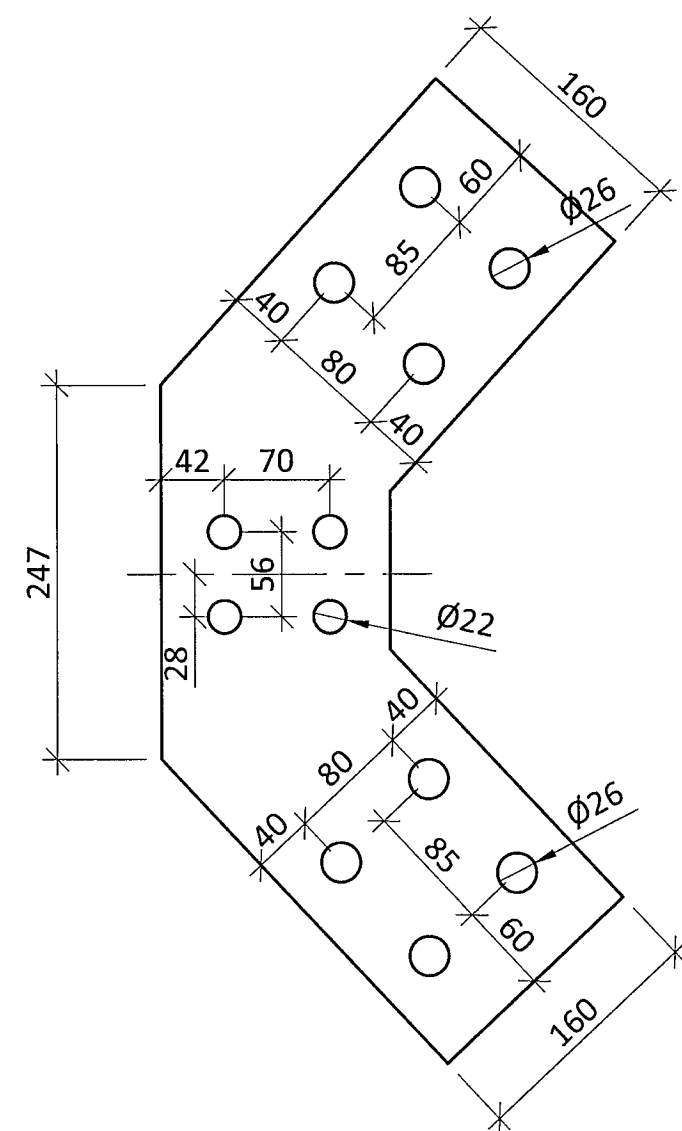
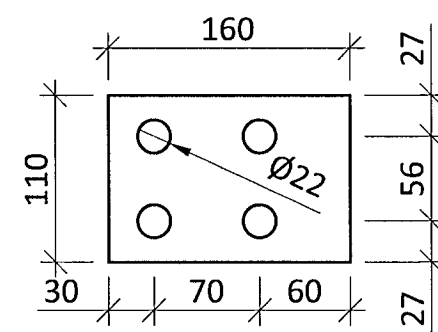


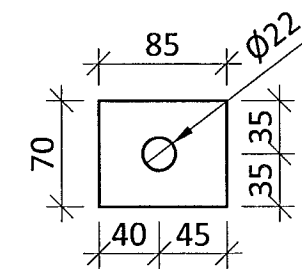
STEEL PLATE S020 - t=10mm - M1:5
S355



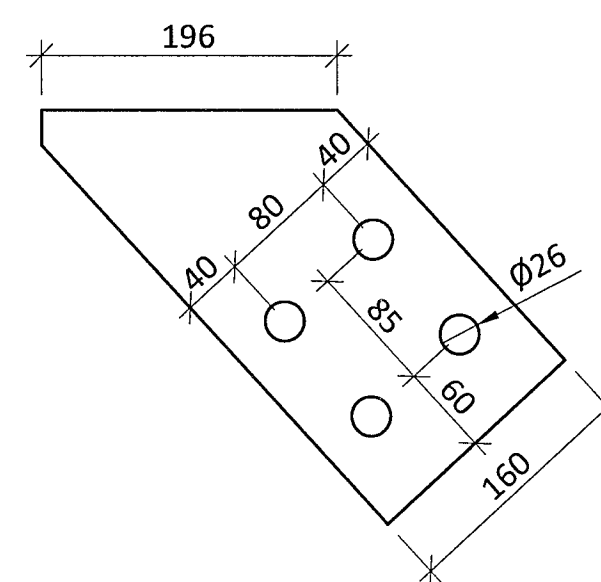
STEEL PLATE S021 - t=10mm - M1:5
S355



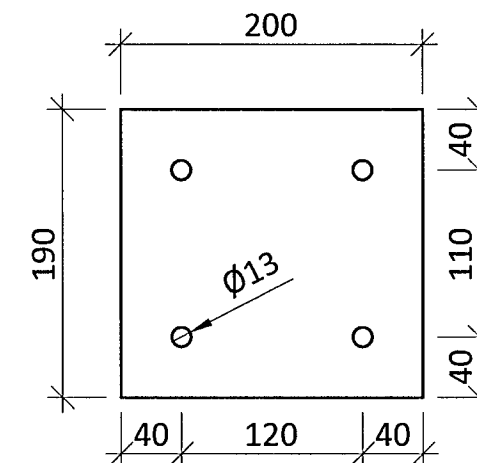
STEEL PLATE S023 - t=10mm - M1:5
S355



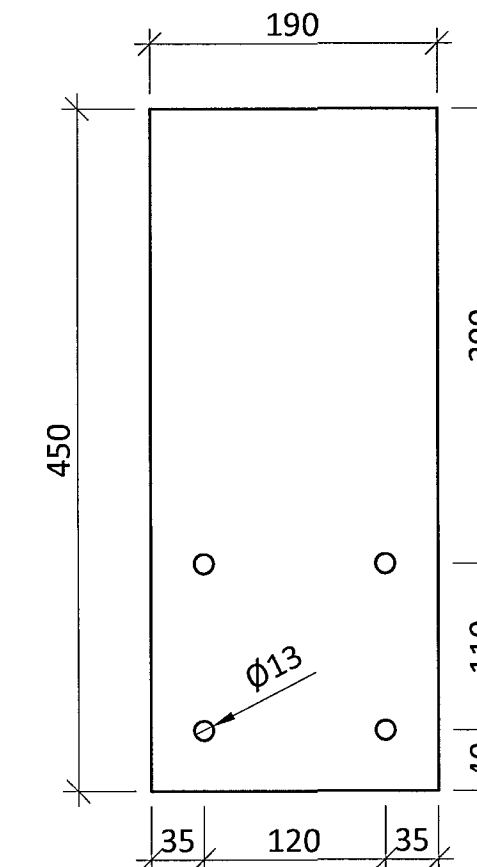
STEEL PLATE S025 - t=10mm - M1:5
S355



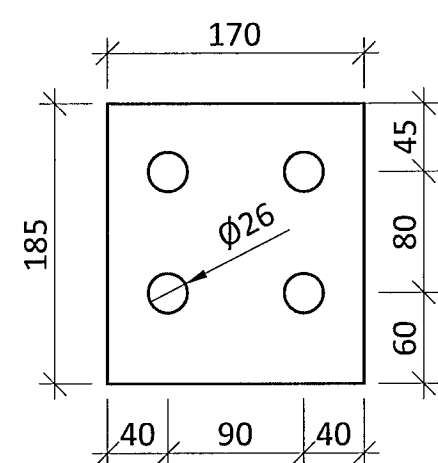
STEEL PLATE S026 - t=10mm - M1:5
S355



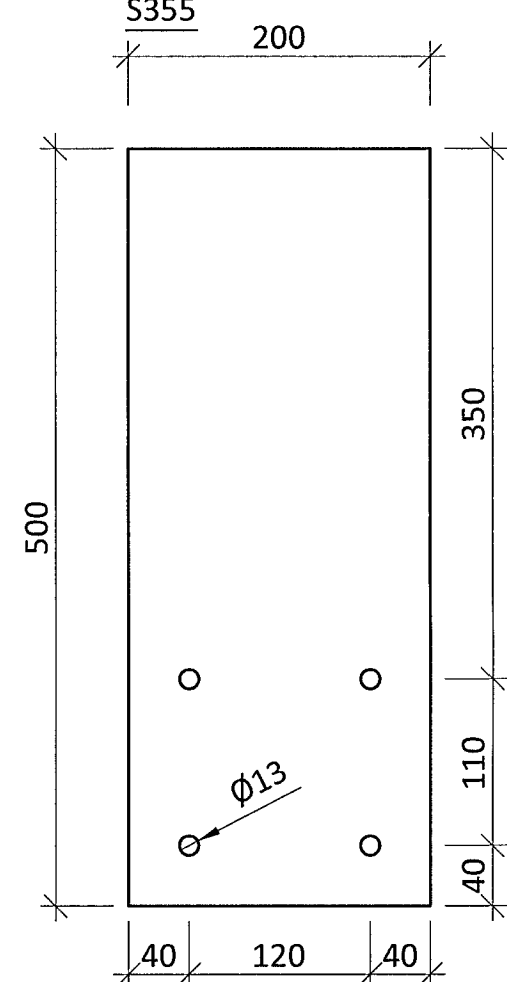
STEEL PLATE S027 - t=10mm - M1:5
S355



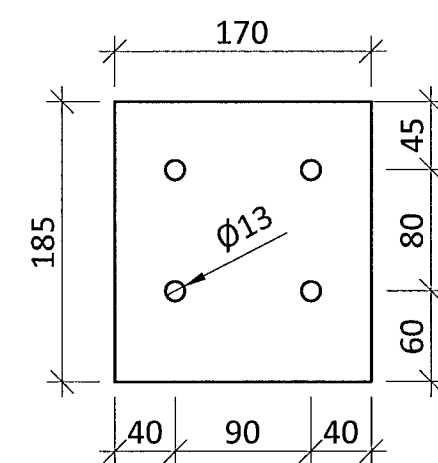
STEEL PLATE S028 - t=15mm - M1:5
S355



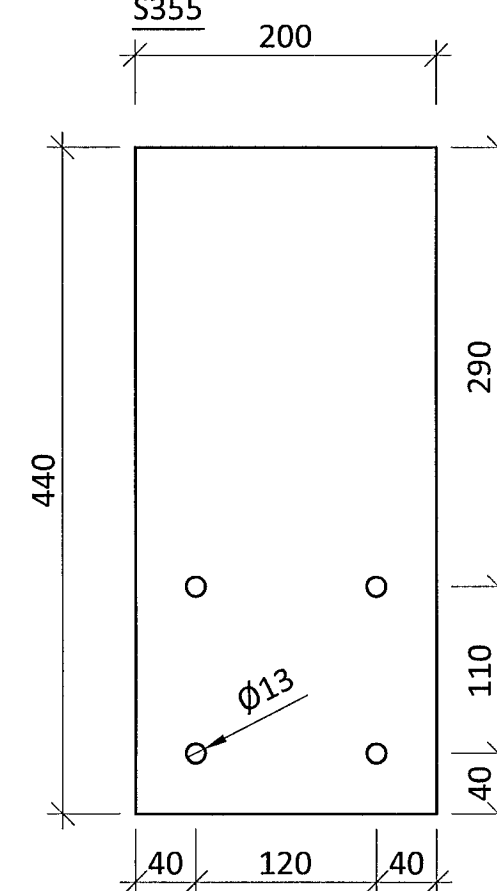
STEEL PLATE S029 - t=10mm - M1:5
S355



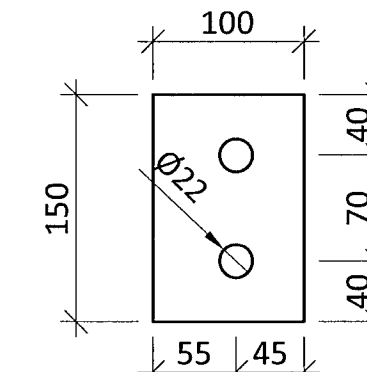
STEEL PLATE S030 - t=10mm - M1:5
S355



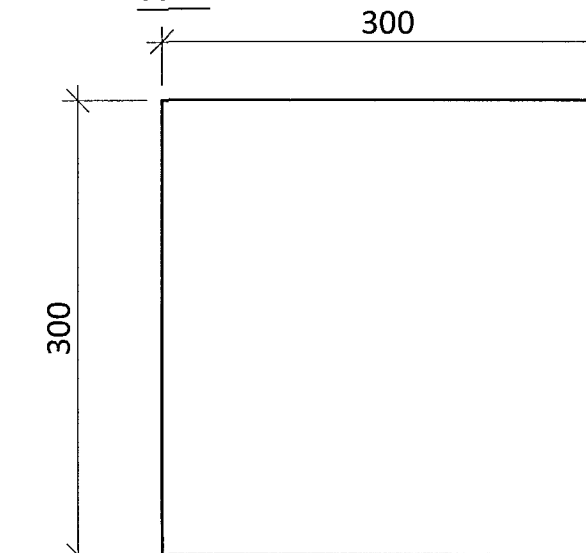
STEEL PLATE S031 - t=10mm - M1:5
S355



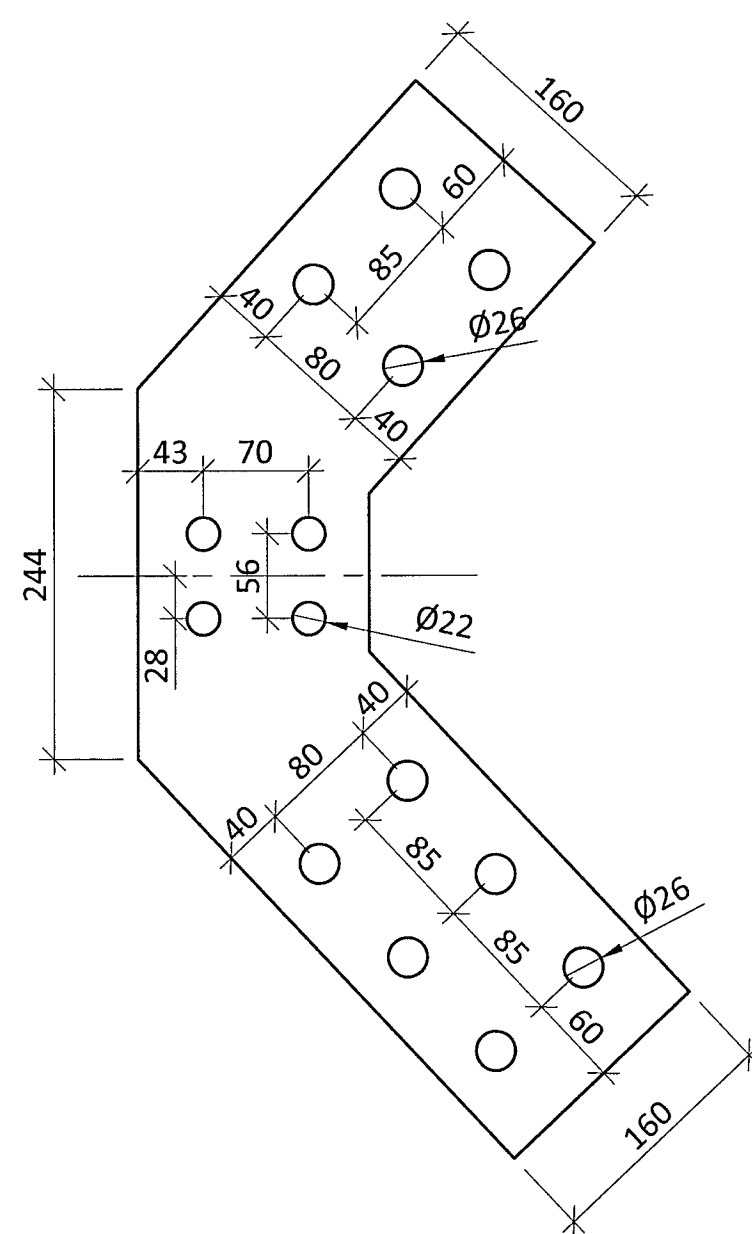
STEEL PLATE S032 - t=10mm - M1:5
S355



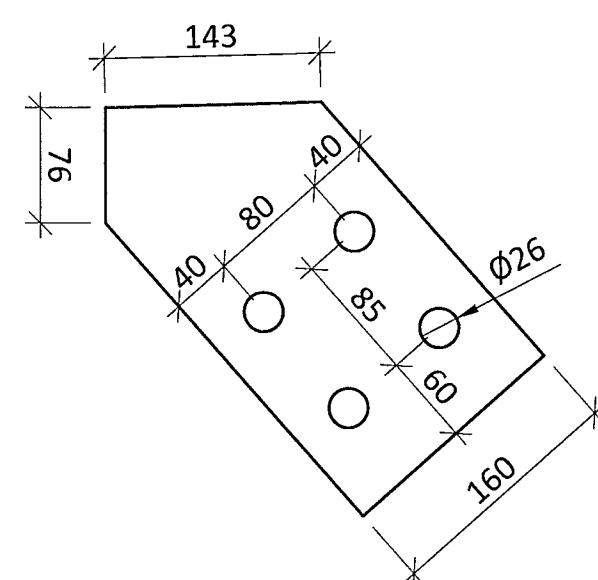
STEEL PLATE S033 - t=10mm - M1:5
S355



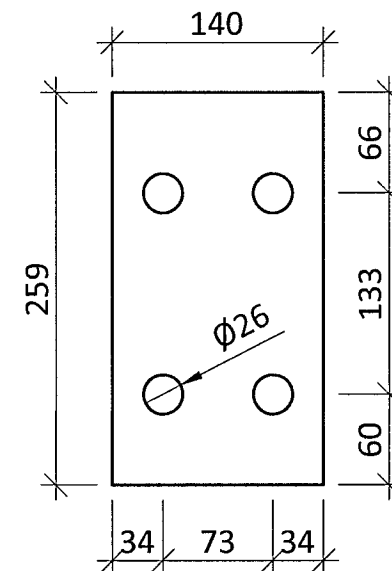
STEEL PLATE S034 - t=10mm - M1:5
S355



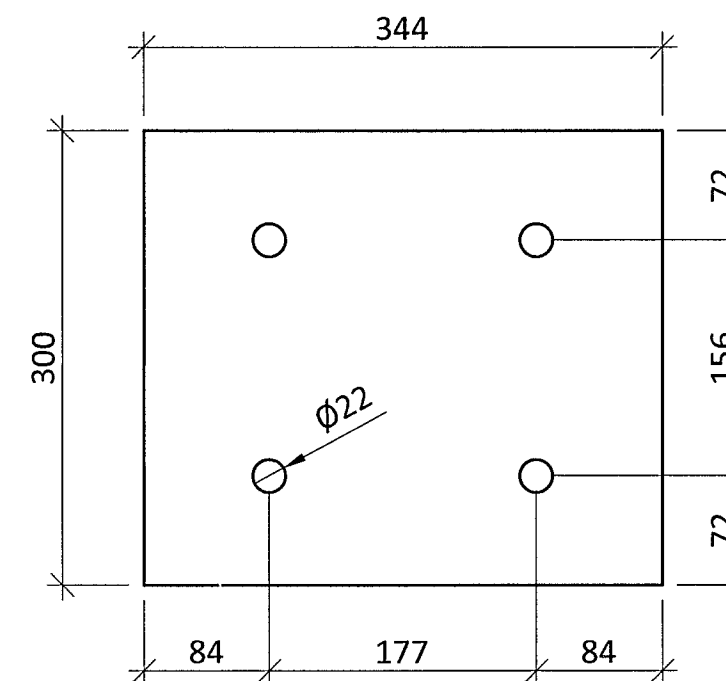
STEEL PLATE S035 - t=10mm - M1:5
S355



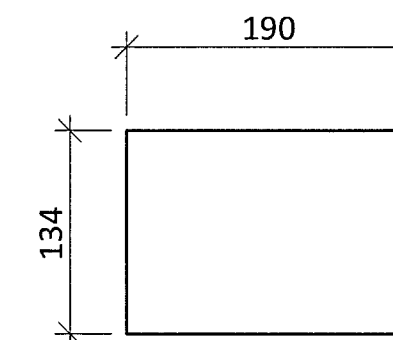
STEEL PLATE S036 - t=10mm - M1:5
S355



STEEL PLATE S037 - t=15mm - M1:5
S355



STEEL PLATE S038 - t=10mm - M1:5
S355



ÁRITUN ADALHÖNNUBAR... KT. EMILJÓRIS

BR.	DAGS.	BREYTING	SAMP.



FLUGVELLIR 1 HAFNARFIRDI
FLIGHT SIMULATOR BUILDING
STEEL STRUCTURE
STEEL PLATES

SAMPYKKT:		KT.	
HÖNNUÐUR	YFIRFARID	DAGS. ÚTG.	DAGS. BREYT.
PÓ thorri@ferill.is	HE	17.03.14	
MKV. 1:5	VERKNR. 14035	TEIKN. NR. 1 - 2061	BREYT.
Ferill ehf. Mörkin 1 108 Reykjavík Sími: 575 1600 Fax: 575 1601 www.ferill.is			