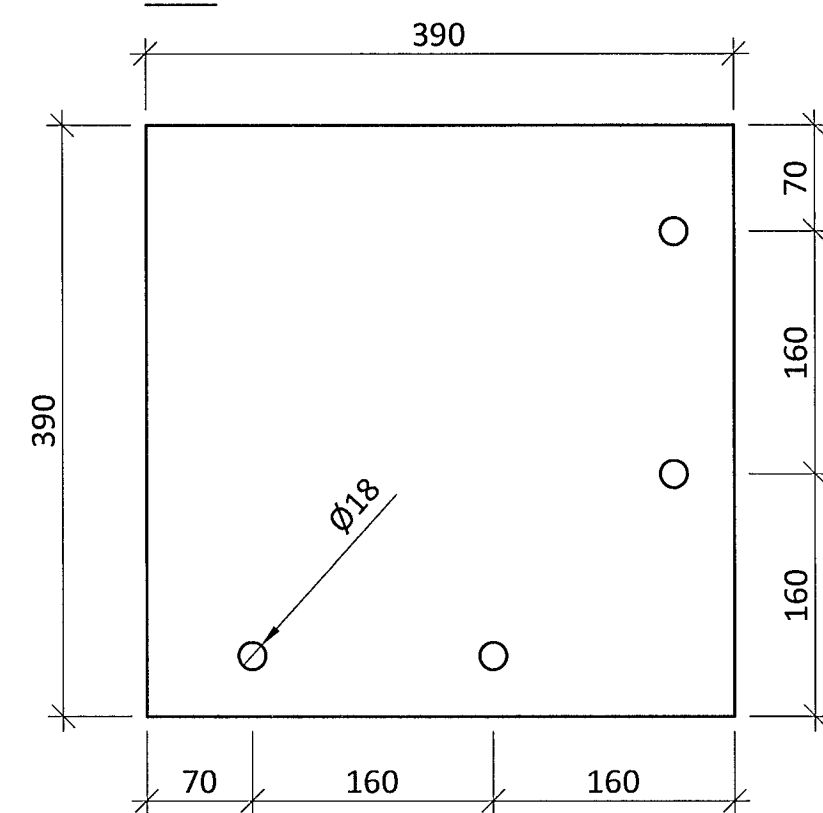
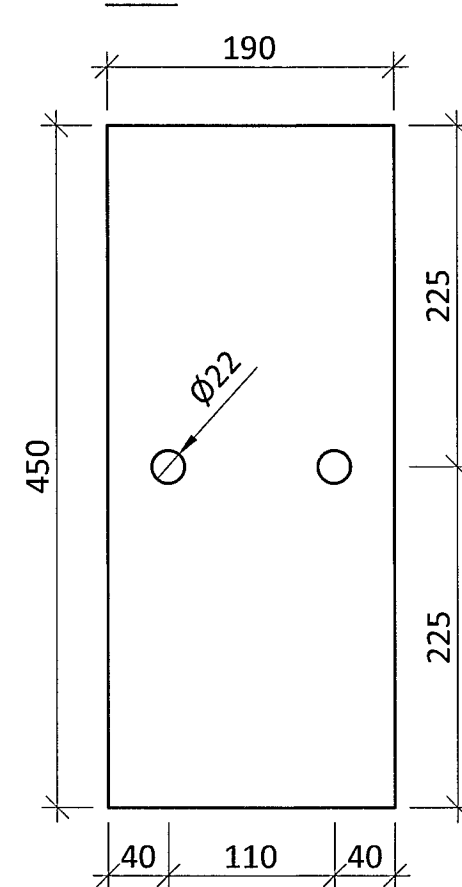


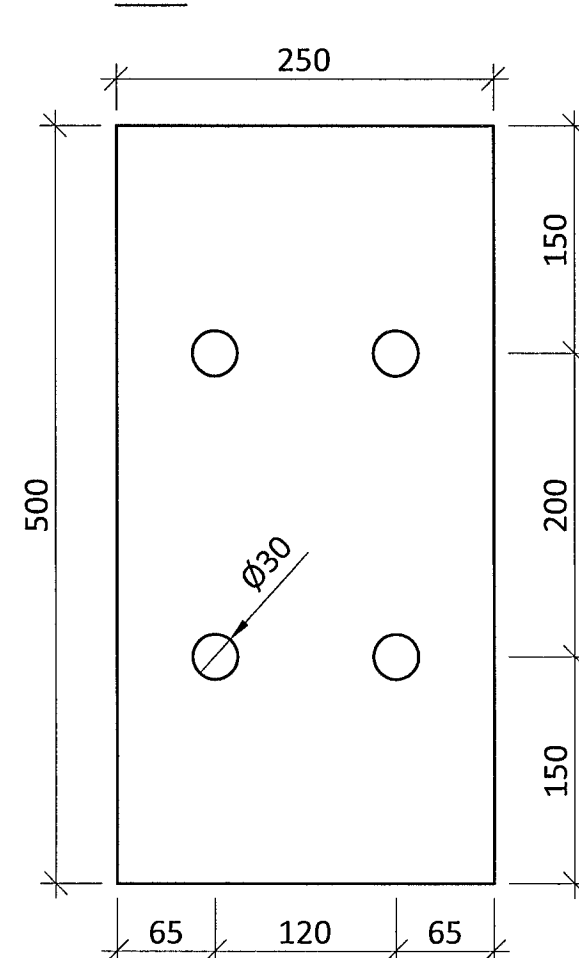
STEEL PLATE S001 - t=20mm - M1:5
S355



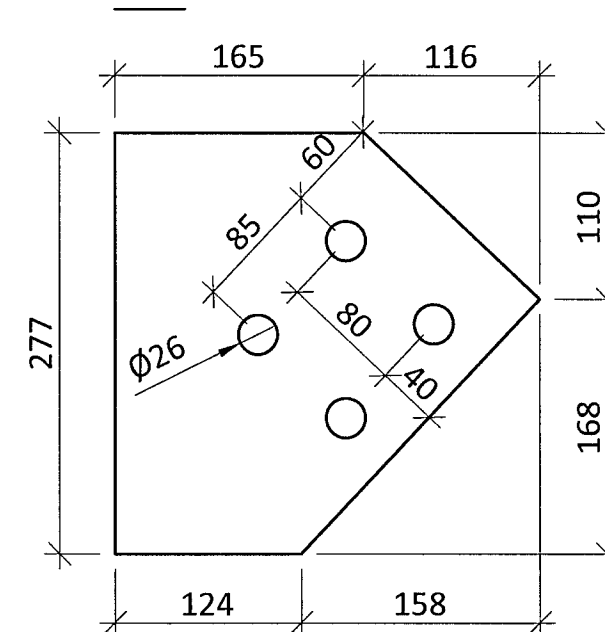
STEEL PLATE S002 - t=20mm - M1:5
S355



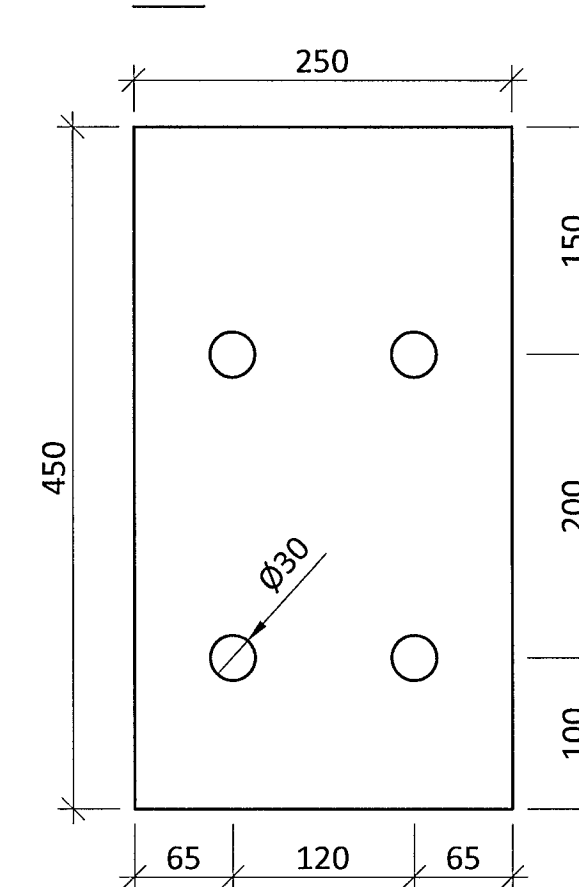
STEEL PLATE S003 - t=20mm - M1:5
S355



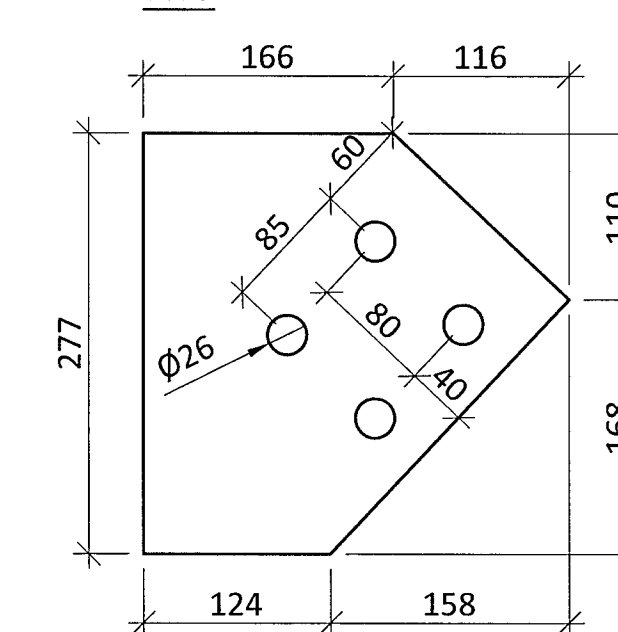
STEEL PLATE S004 - t=10mm - M1:5
S355



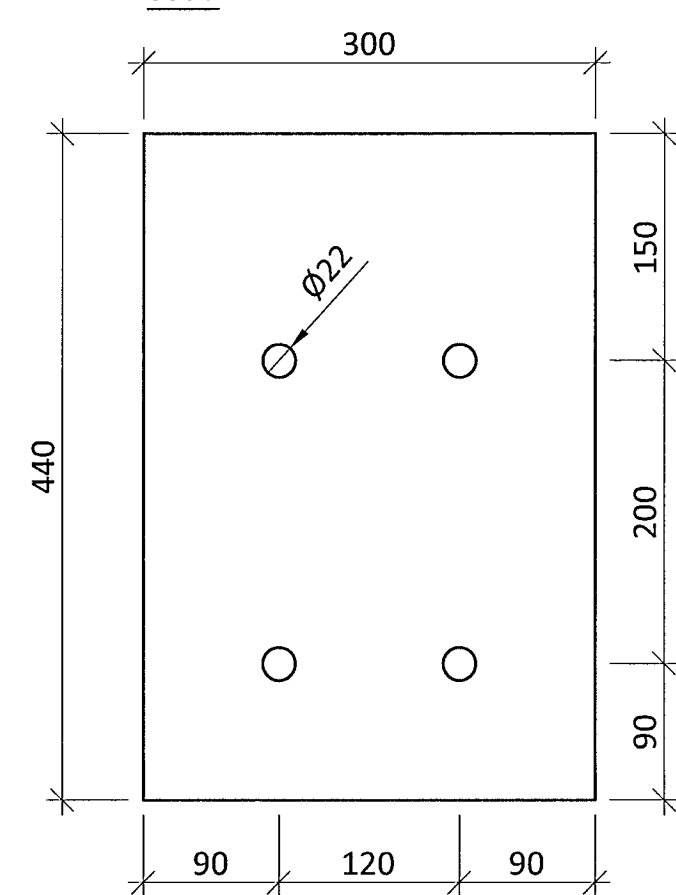
STEEL PLATE S005 - t=20mm - M1:5
S355



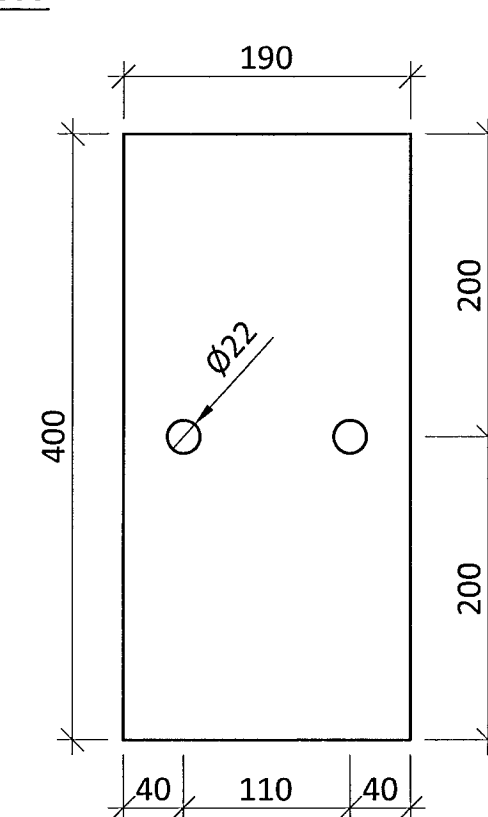
STEEL PLATE S006 - t=10mm - M1:5
S355



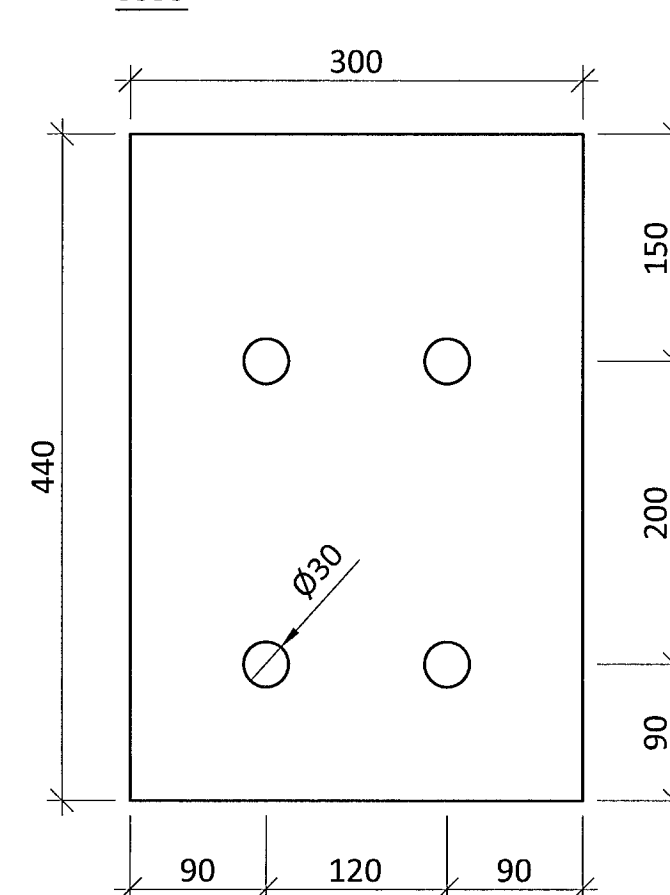
STEEL PLATE S007 - t=20mm - M1:5
S355



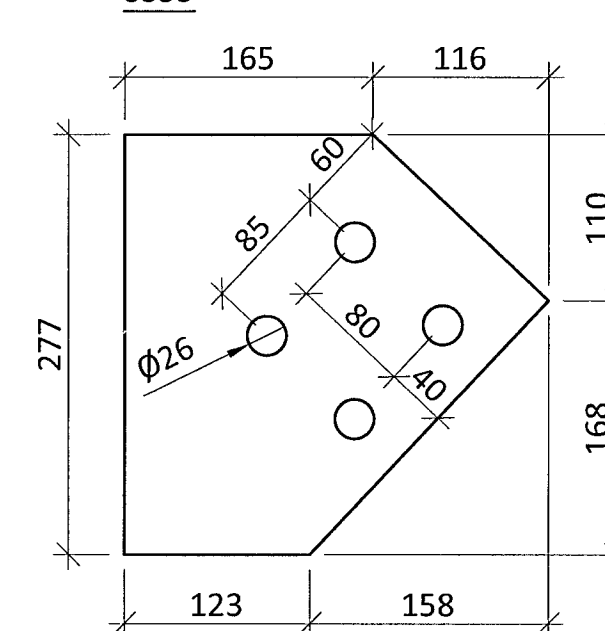
STEEL PLATE S008 - t=20mm - M1:5
S355



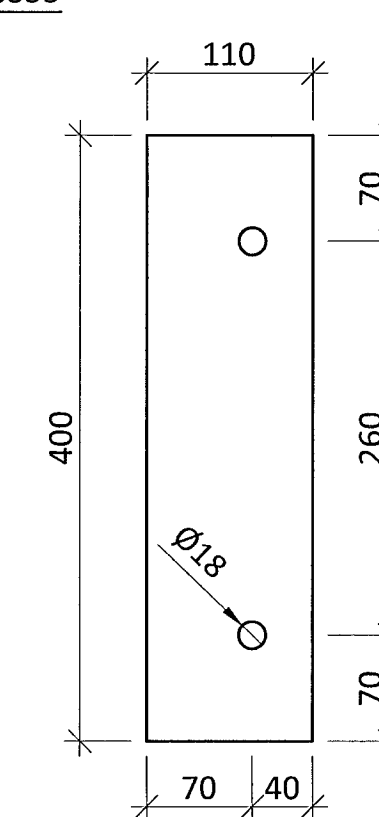
STEEL PLATE S009 - t=20mm - M1:5
S355



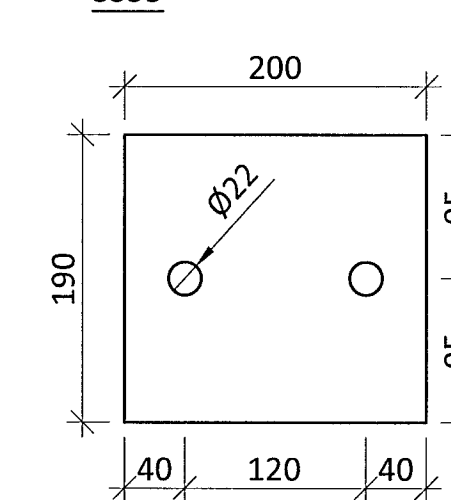
STEEL PLATE S010 - t=10mm - M1:5
S355



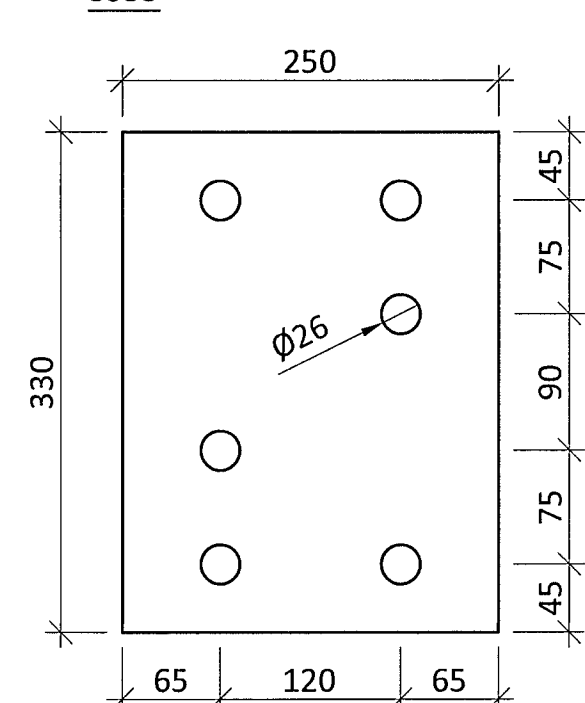
STEEL PLATE S011 - t=20mm - M1:5
S355



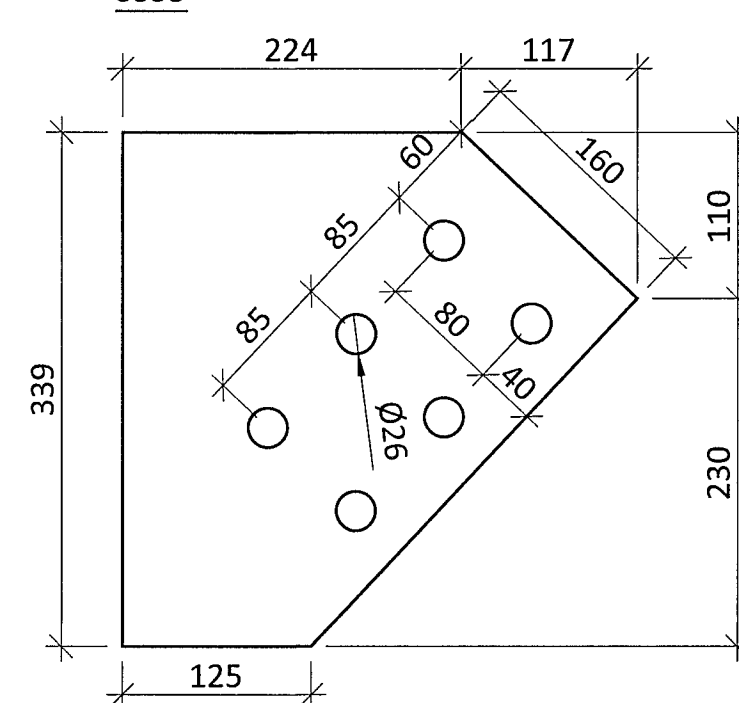
STEEL PLATE S012 - t=20mm - M1:5
S355



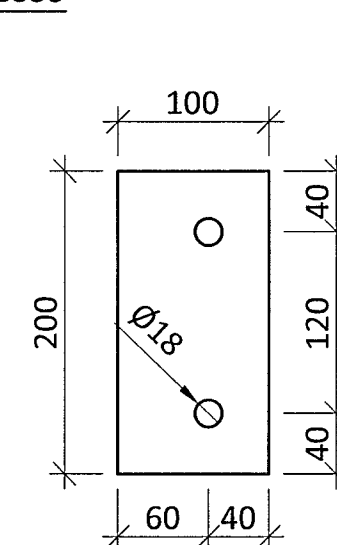
STEEL PLATE S013 - t=20mm - M1:5
S355



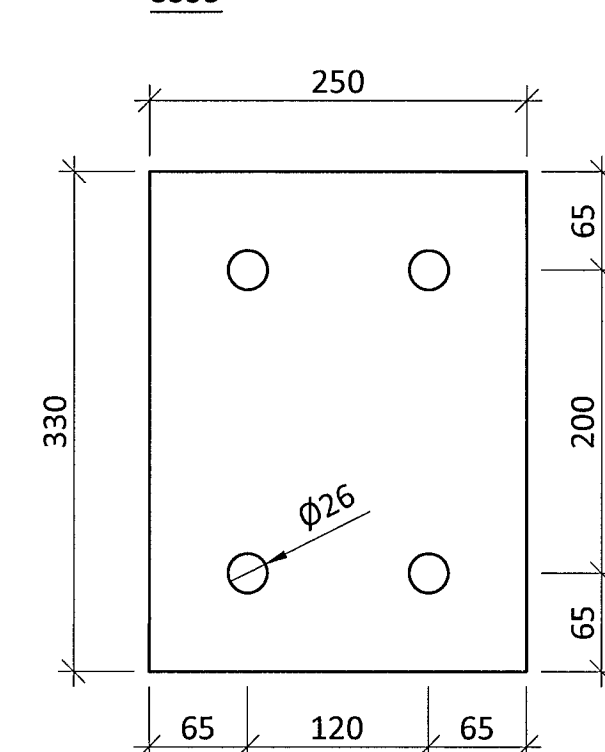
STEEL PLATE S014 - t=10mm - M1:5
S355



STEEL PLATE S015 - t=10mm - M1:5
S355



STEEL PLATE S016 - t=20mm - M1:5
S355



ÁRITUNARÁÐALÖG
E. Höfður
KT. 042513015

BR.	DAGS.	BREYTING	SAMP.

ferill
VERKFRÆÐISTOFA

FLUGVELLIR 1 HAFNARFIRÐI
FLIGHT SIMULATOR BUILDING
STEEL STRUCTURE
STEEL PLATES

SAMPYKKT: *E. Höfður*

HÖNNUÐUR	YFIRFARIÐ	DAGS. ÚTG.	DAGS. BREYT.
PÓ thorri@ferill.is	HE	17.03.14	
MKV. 1:5	VERKNR. 14035	TEIKN. NR. 1 - 2060	BREYT.

Ferill ehf. Mörkin 1 108 Reykjavík Sími: 575 1600 Fax: 575 1601 www.ferill.is