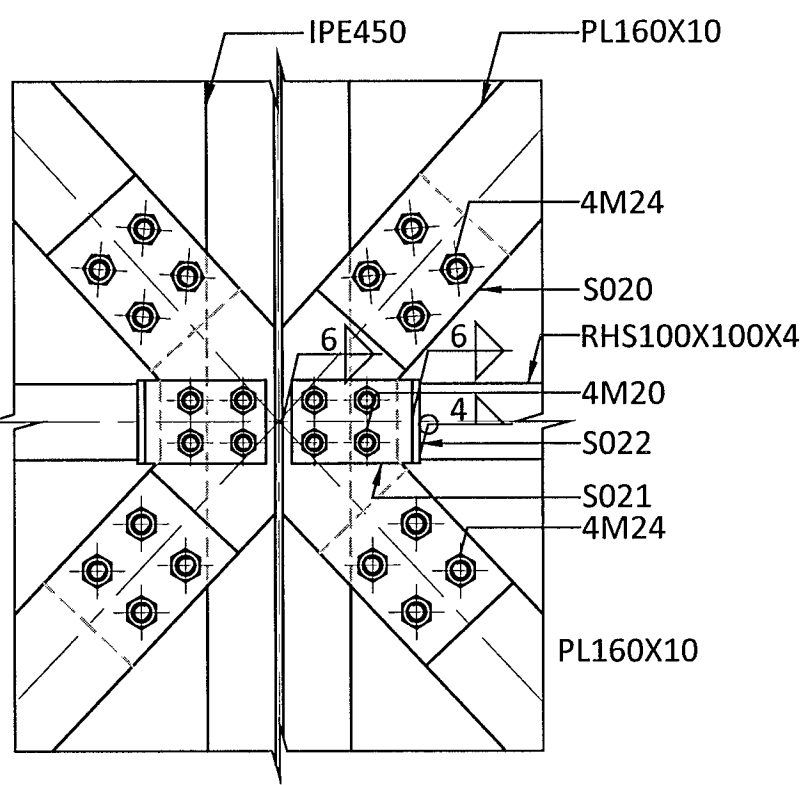
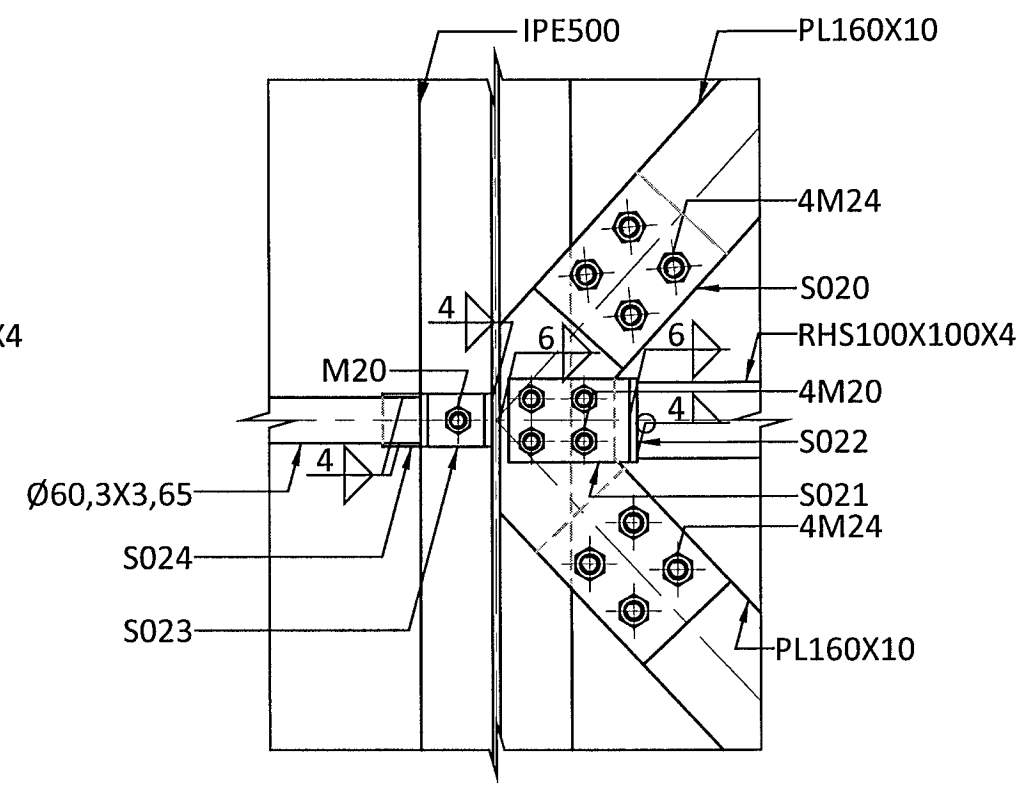


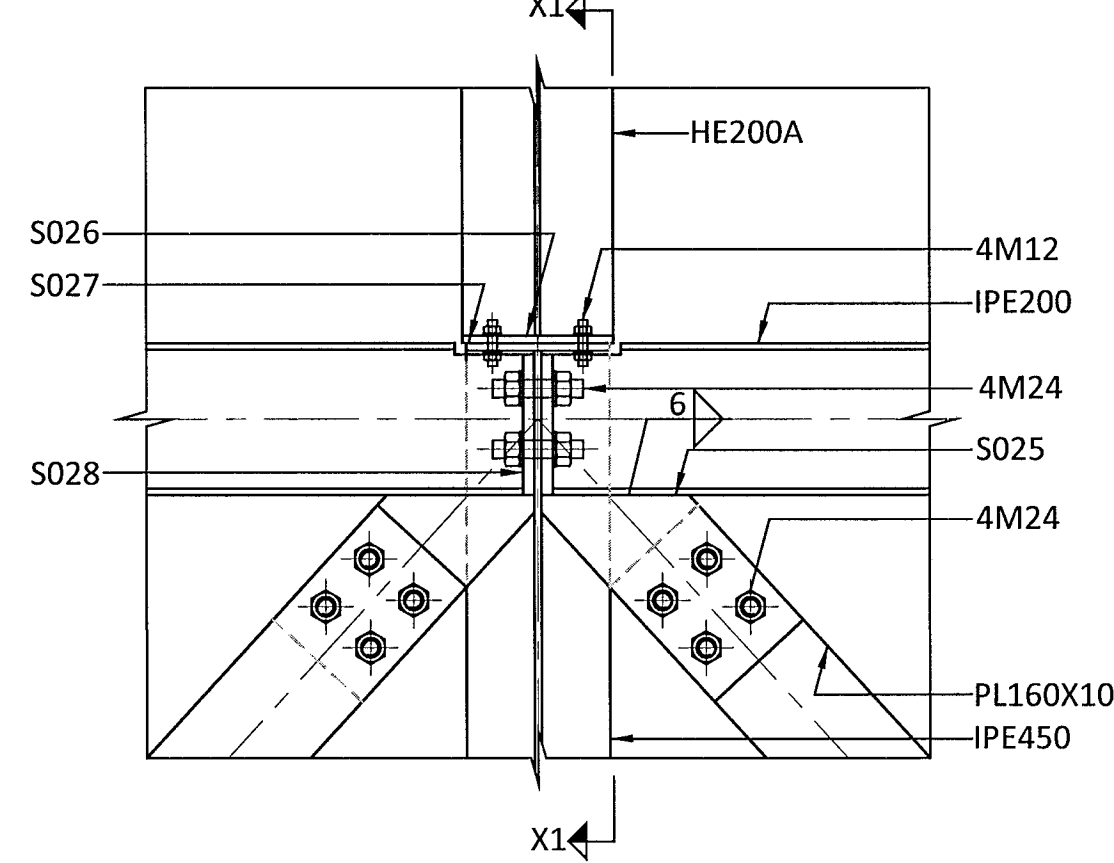
CONNECTION F20 - M1:10



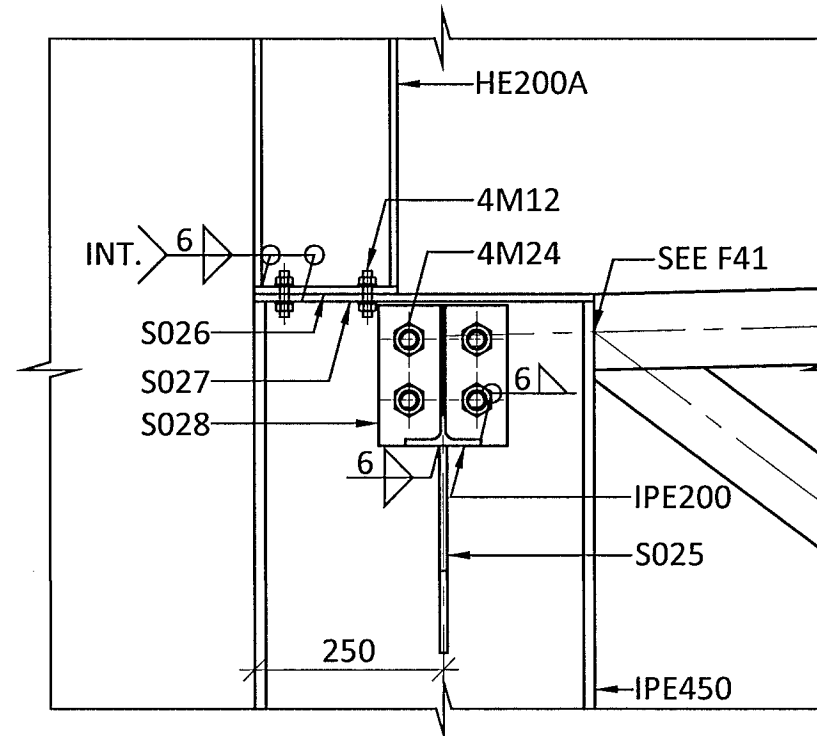
CONNECTION F21 - M1:10



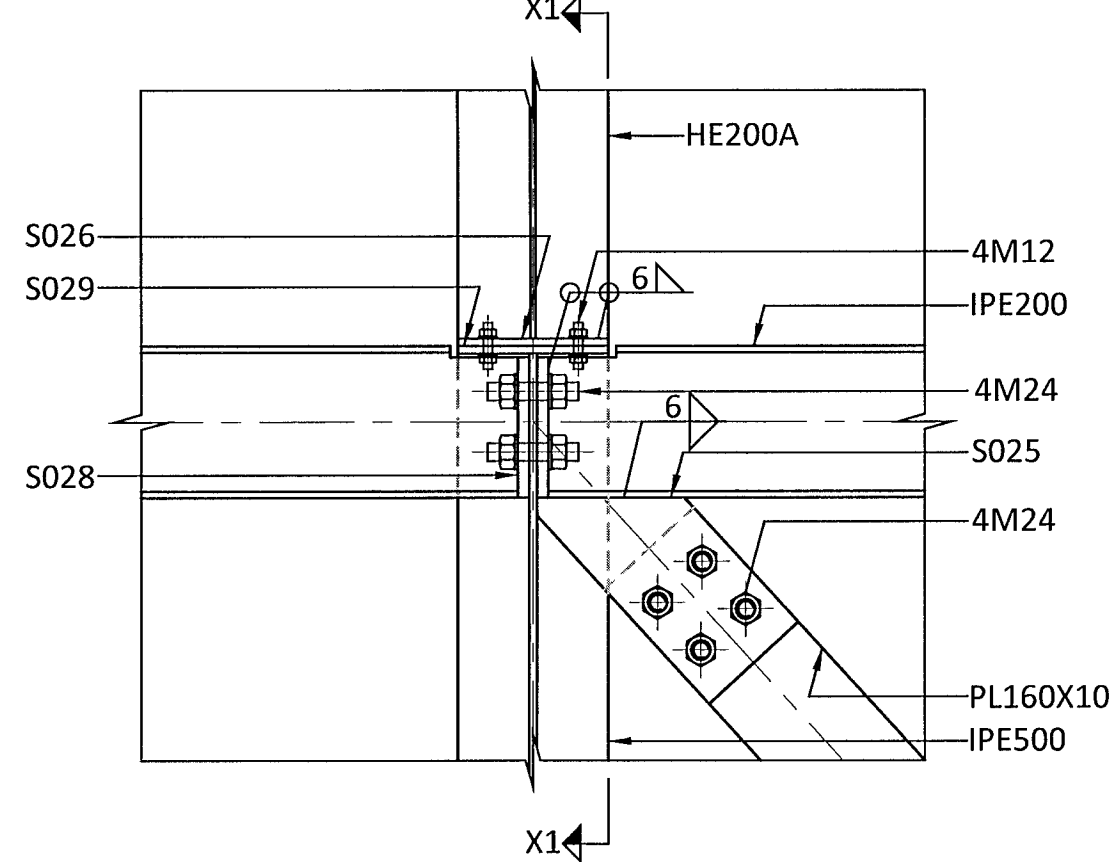
CONNECTION F22 - M1:10



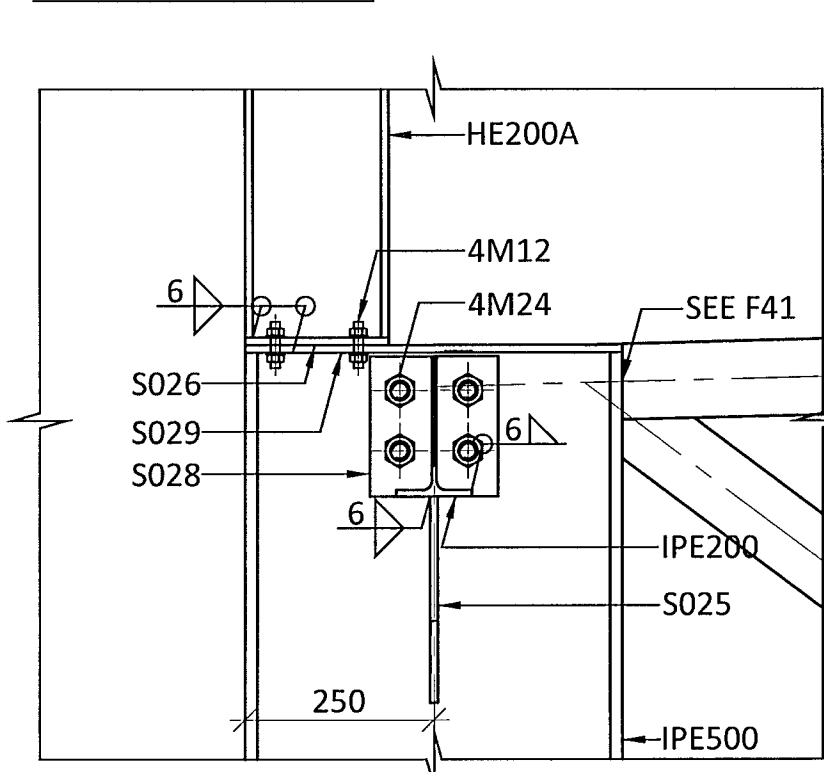
SECTION X1-X1 - M1:10



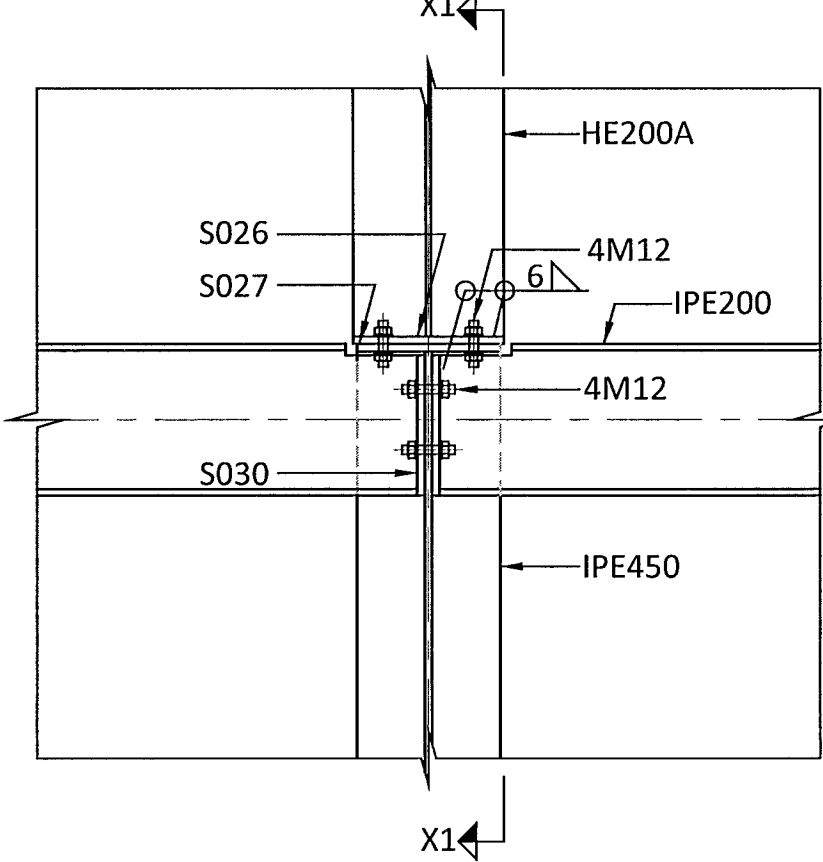
CONNECTION F23 - M1:10



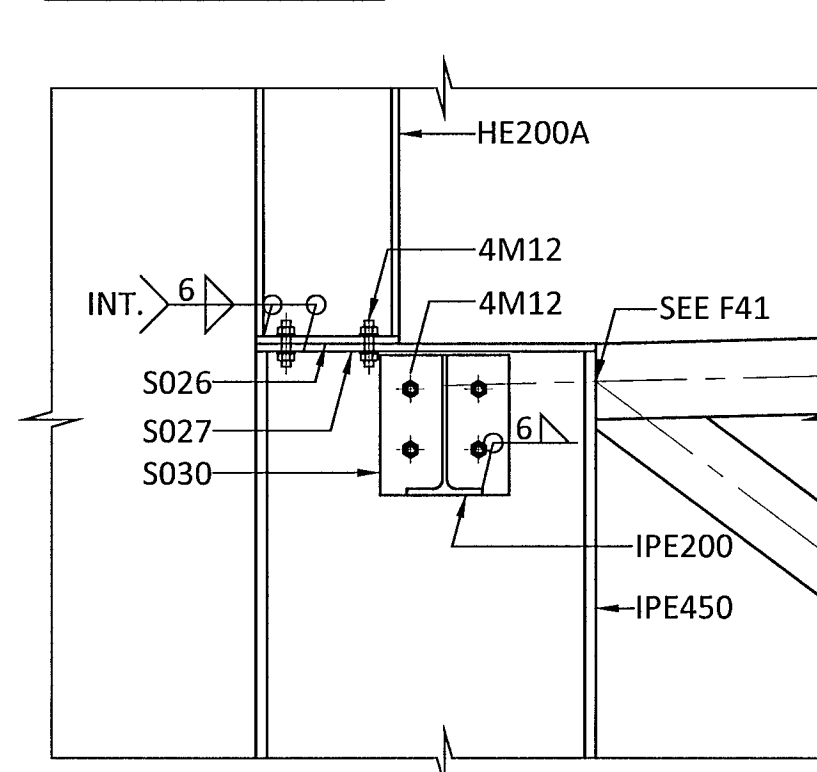
SECTION X1-X1 - M1:10



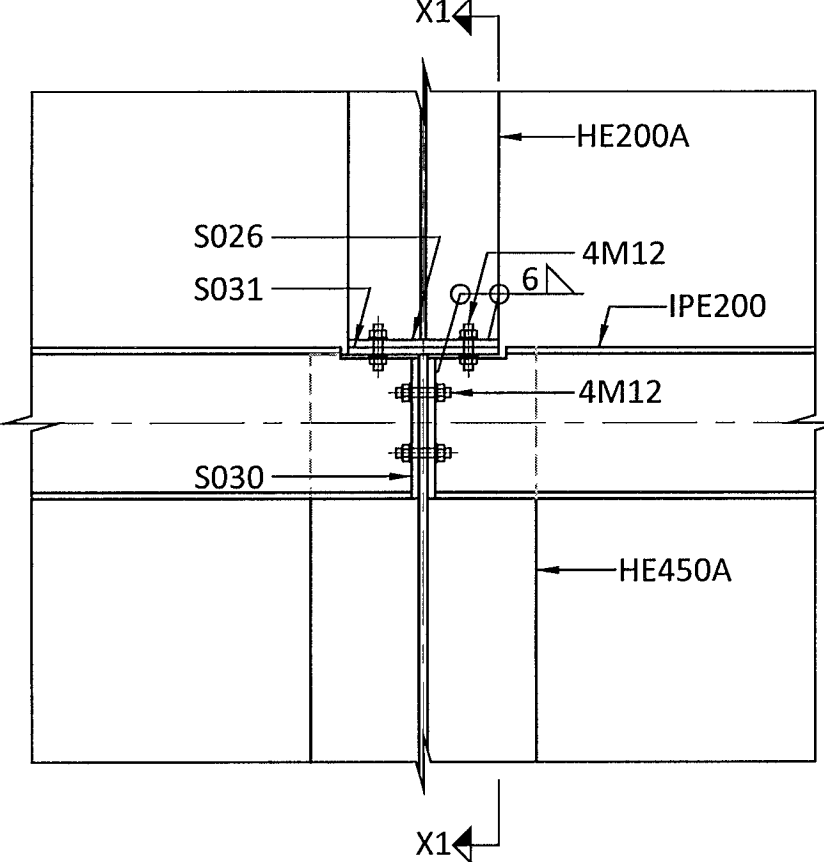
CONNECTION F24 - M1:10



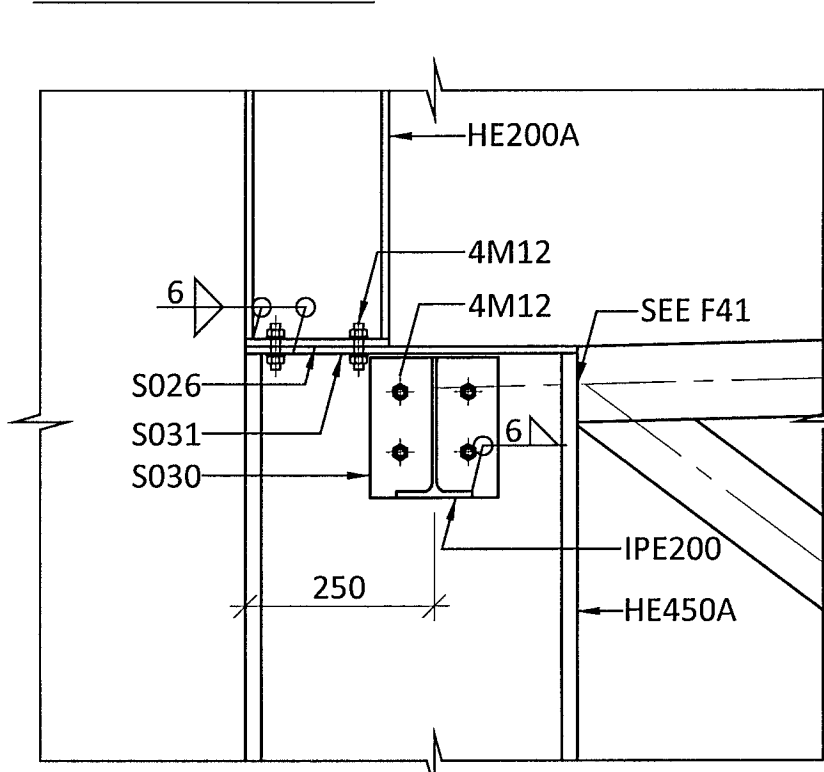
SECTION X1-X1 - M1:10



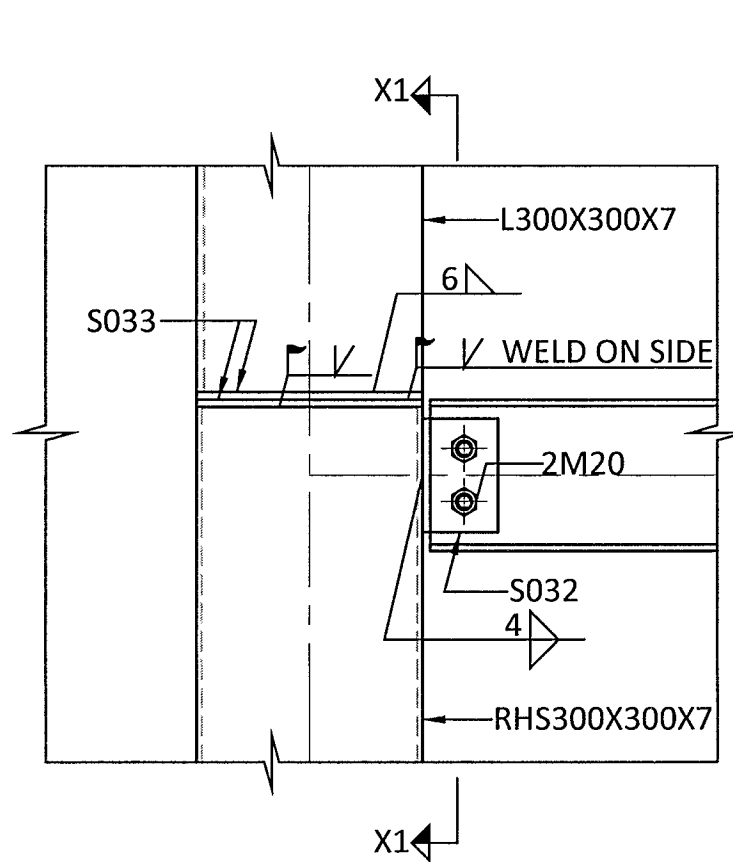
CONNECTION F25 - M1:10



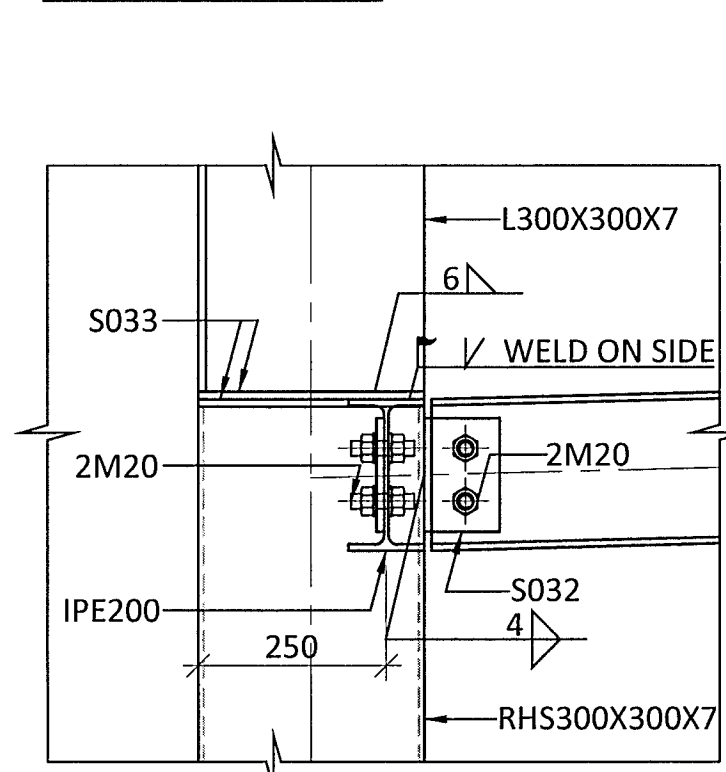
SECTION X1-X1 - M1:10



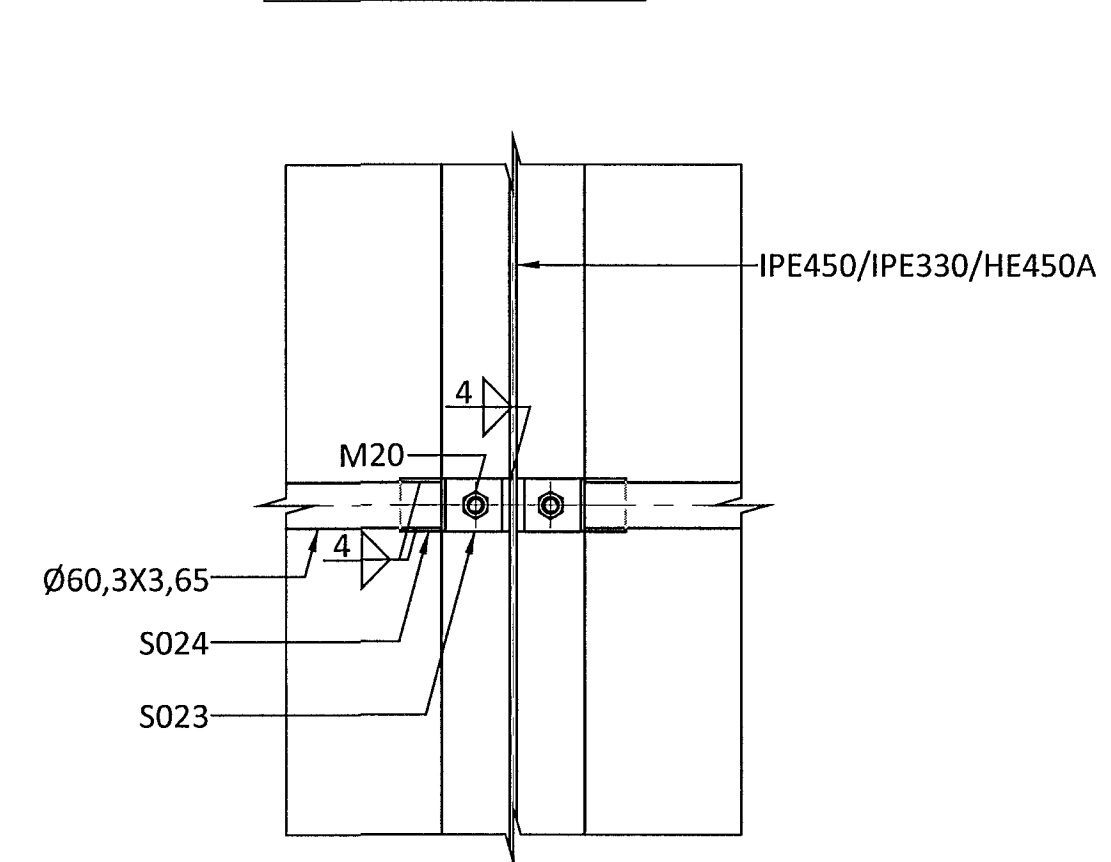
CONNECTION F26 - M1:10



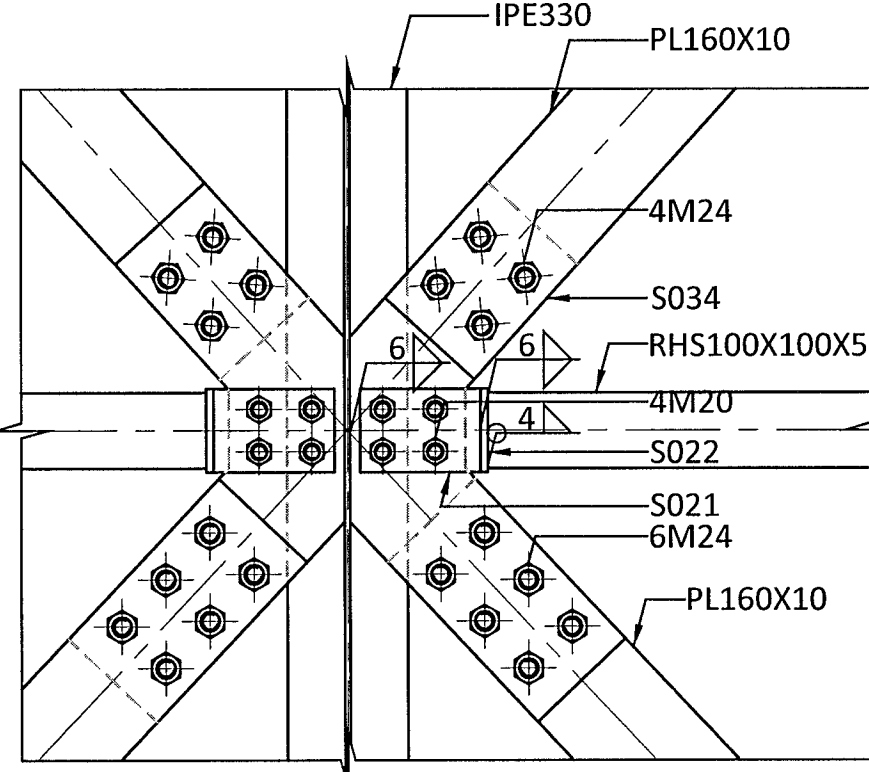
SECTION X1-X1 - M1:10



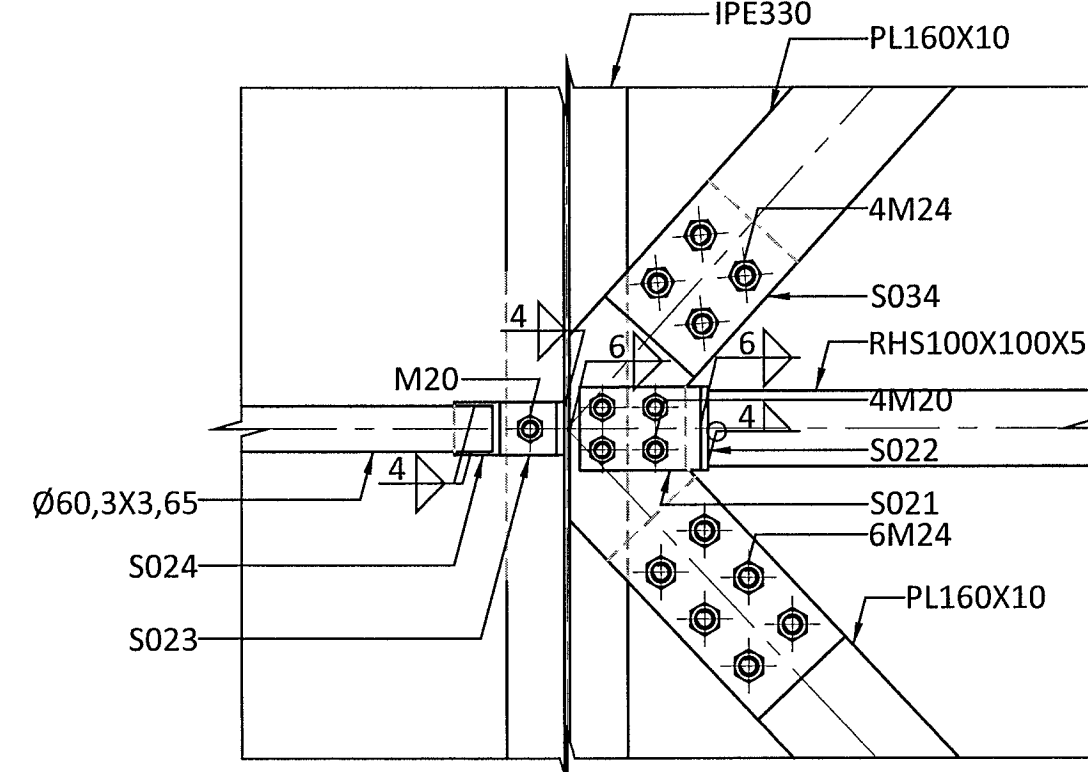
CONNECTION F27 - M1:10



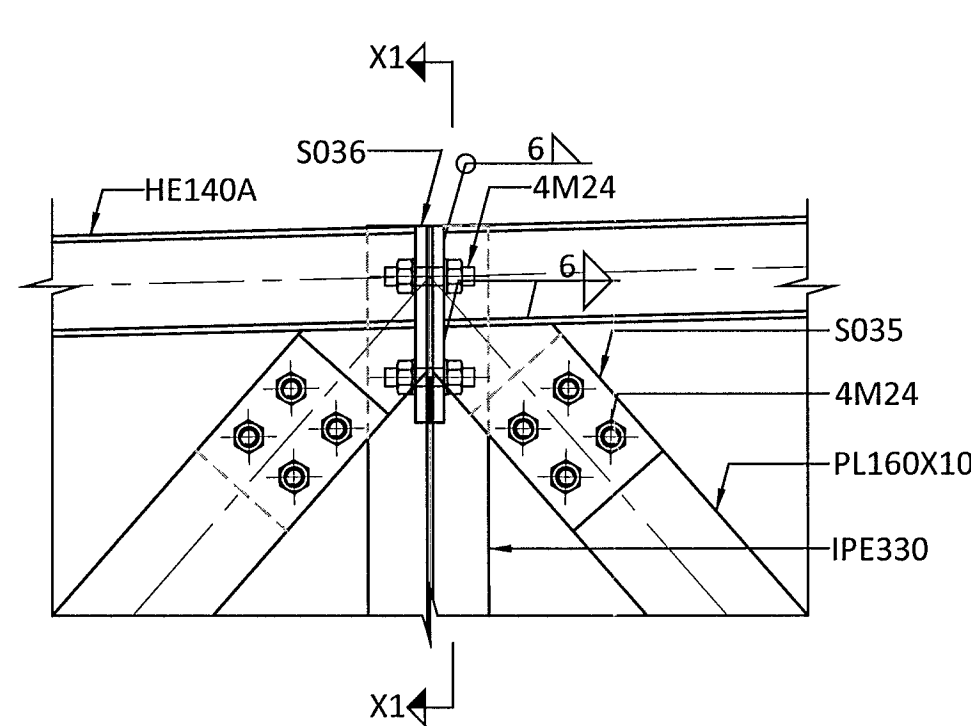
CONNECTION F28 - M1:10



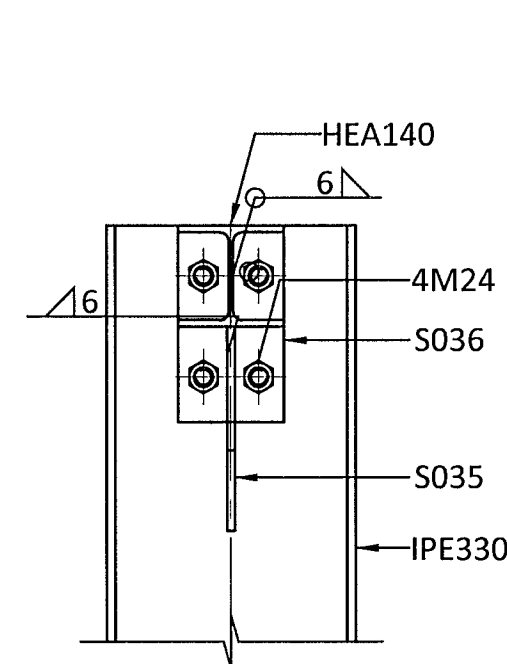
CONNECTION F29 - M1:10



CONNECTION F30 - M1:10



SECTION X1-X1 - M1:10



|     |       |          |       |
|-----|-------|----------|-------|
| BR. | DAGS. | BREYTING | SAMB. |
|     |       |          |       |

**ferill**  
VERKFRÆÐISTOFA

**FLUGVELLIR 1** HAFNARFIRÐI  
FLIGHT SIMULATOR BUILDING  
STEEL STRUCTURE CONNECTIONS

SAMÞYKKT: *[Signature]* KT 0251-3045

|                                 |                  |                        |              |
|---------------------------------|------------------|------------------------|--------------|
| HÖNNUÐUR<br>PÓ thorri@ferill.is | YFIRFARID<br>HE  | DAGS. ÚTG.<br>17.03.14 | DAGS. BREYT. |
| MKV.<br>1:10                    | VERKNR.<br>14035 | TEKNI. NR.<br>1 - 2051 | BREYT.       |

Ferill ehf Mörkin 1 108 Reykjavík Sími: 575 1600 Fax: 575 1601 www.ferill.is