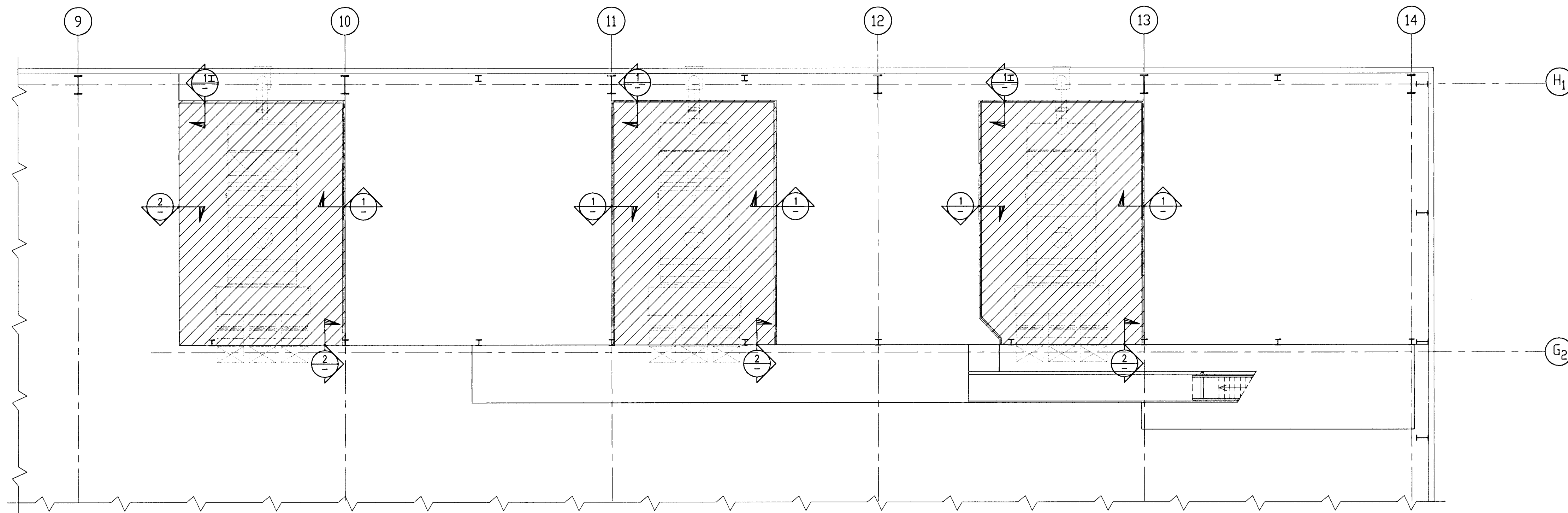


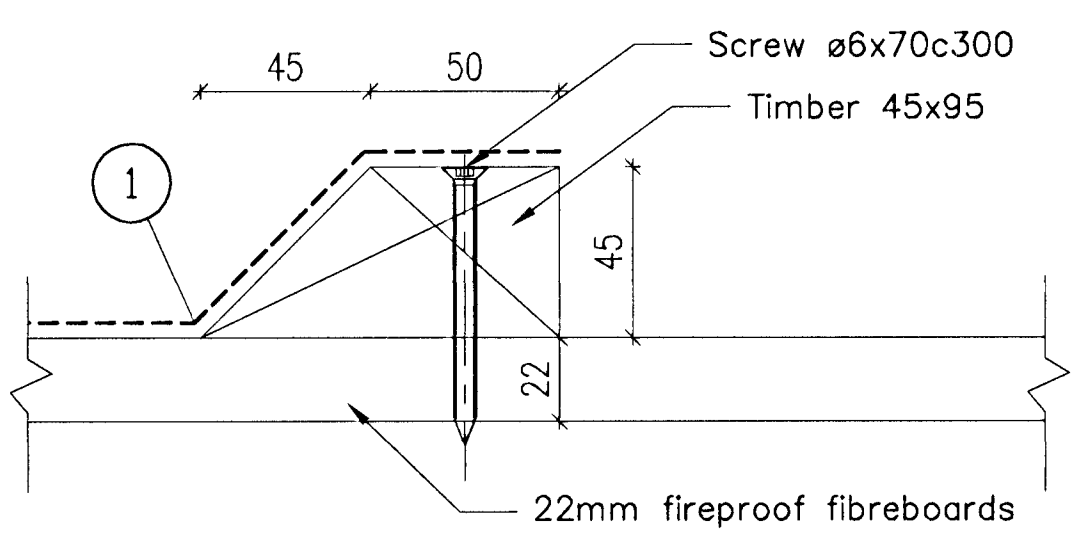
ROOF PLAN, 1:100



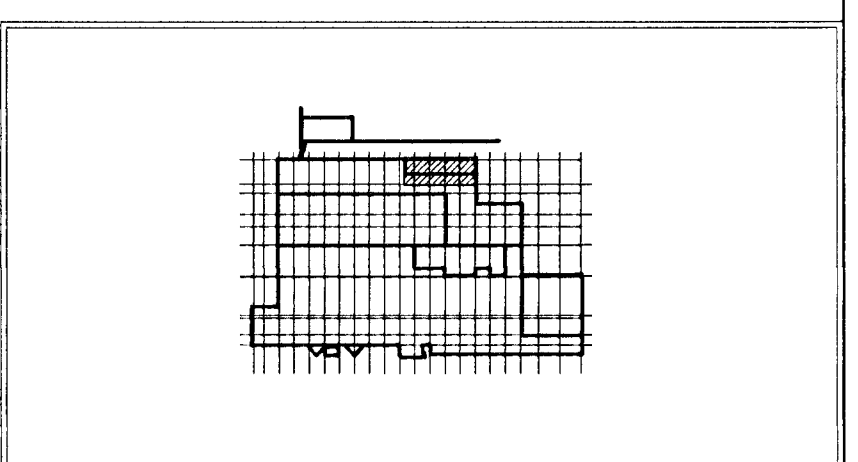
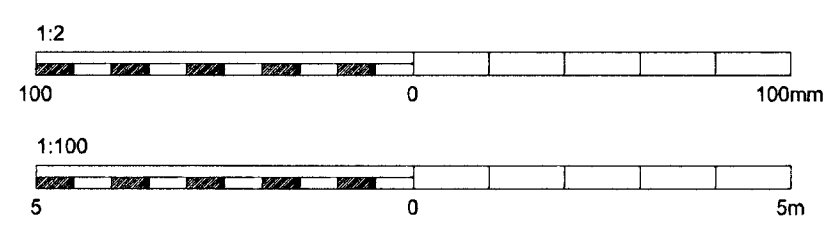
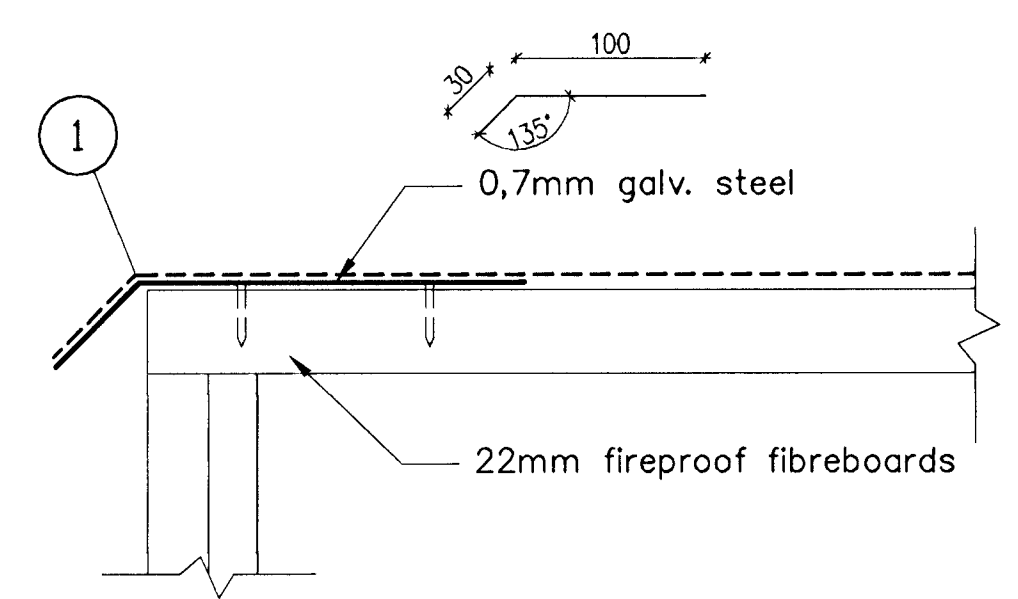
Samþykkt bann
20 JAN 2011
Byggingaávitrunnir Hólarfrófi
Fh. Hrólfur S. Gunnlaugsson

Níels Indriðsson
hv

1 SECTION, 1:2



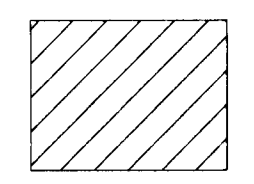
2 SECTION, 1:2



ICC Casthouse Keyplan - Scale: 1:5000

Skýringar:
Explanations:

1



Watertight, fireproof membrane with tear and puncture resistance for protection against mechanical strain.



Breyt. / Rev.	Breyting / Revision	Dags. / Date	Samþ. / Approved	Notk. heiml. / Released
1	issued for construction	10.11.24	<i>Kjop</i>	

This drawing is the property of the Rio Tinto Alcan Iceland Ltd and handed out for personal use only. It may neither be copied nor made available to others without permission of the Rio Tinto Alcan Iceland Ltd. The receiver is liable for any misuse.

Fjöldi stykkja / Number of pieces	Hlutur / Object	Átrifi / Item	Efni / Material	sg. / stk. / Weight	Ítalaf. / heild / (kg) / Total	Athugasemdir / Remarks
IV III II I	ICC CASTHOUSE EXTENSION BUILDINGS SUBSTATION 58 ROOF MEMBRANE, PLAN AND SECTIONS	HRV				
	Teknað / Drawn	HJH/ÁFV 2010.11.24	Yfirfarð / Checked	NI		
	Staður / Status		Samþykkt / Approved			
	Staður / Status		ISAL			