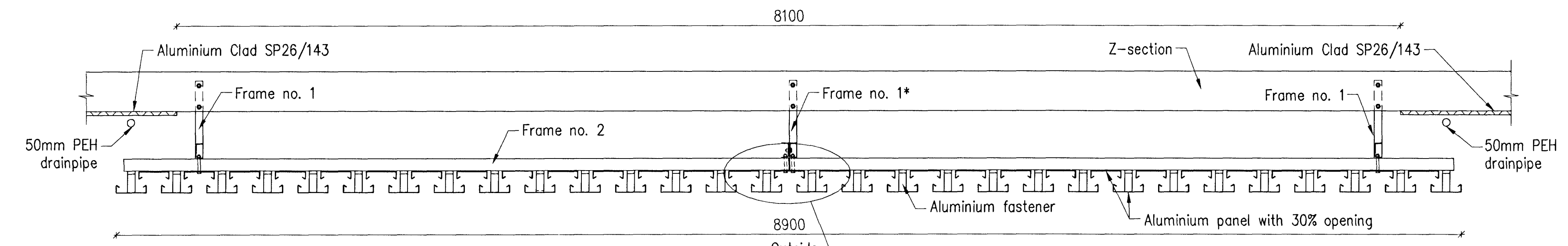
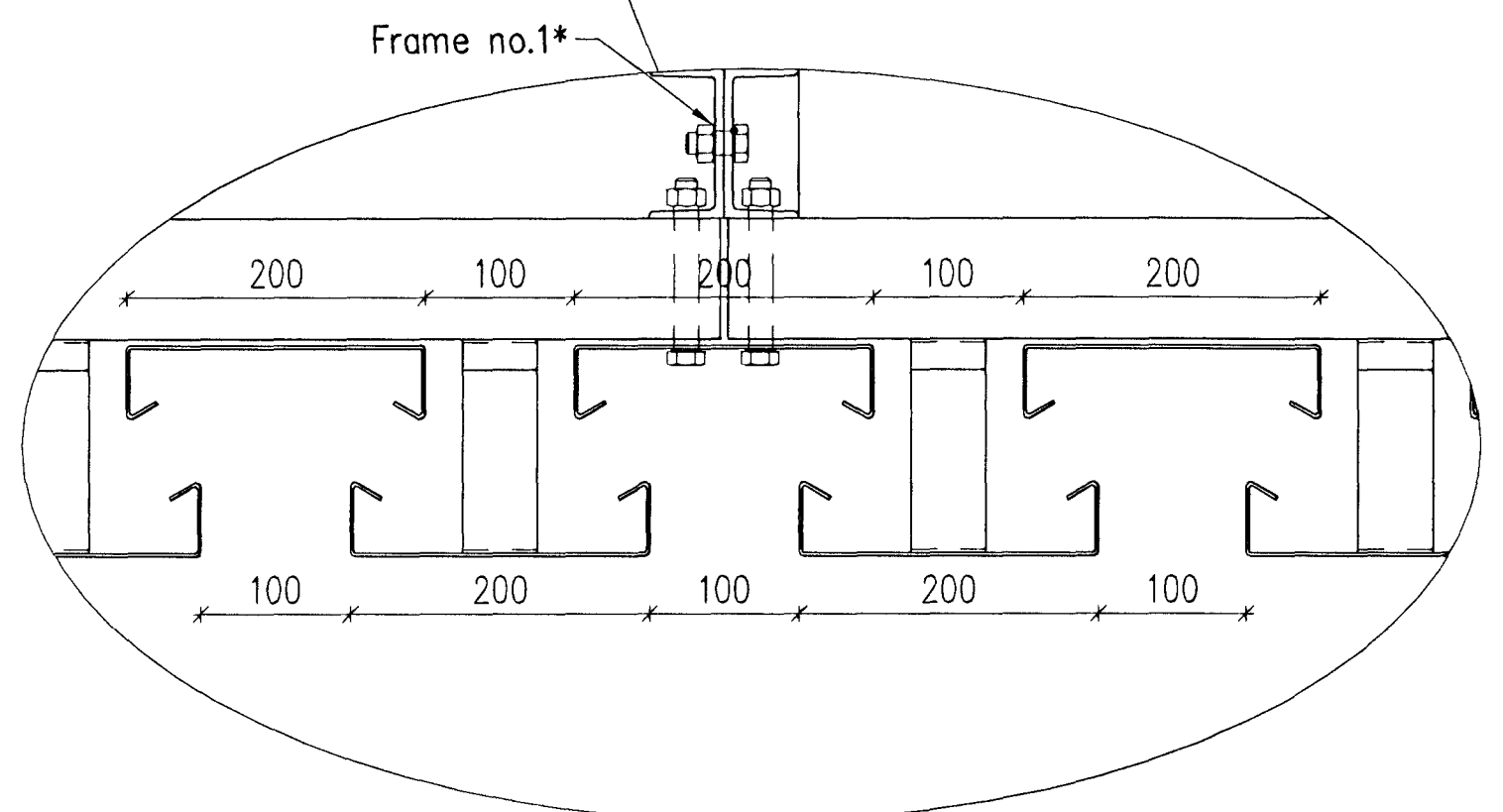


FRONT VIEW OF WEATHER SHIELD A, 1:20
9 pcs.



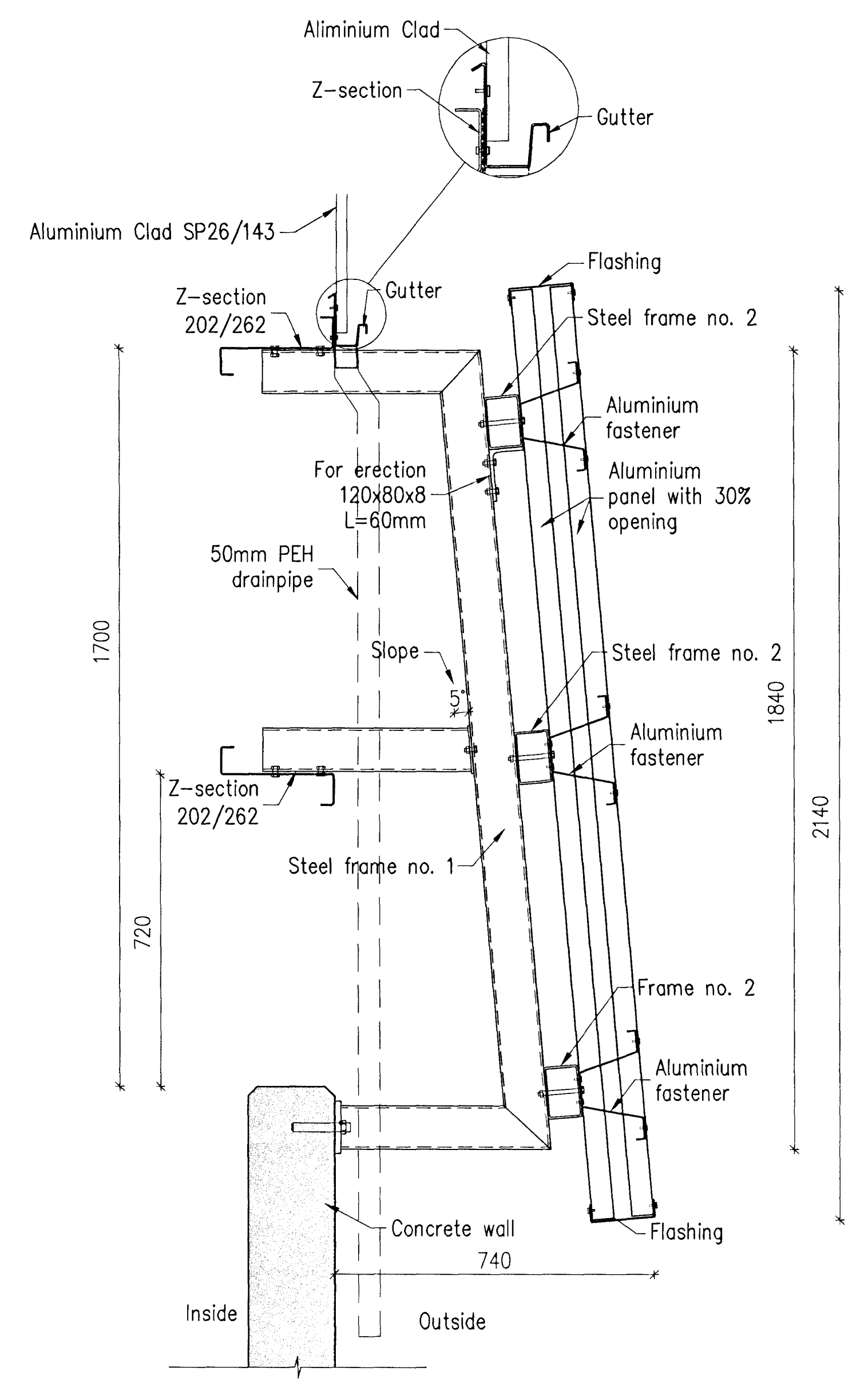
A CROSS-SECTION, 1:20



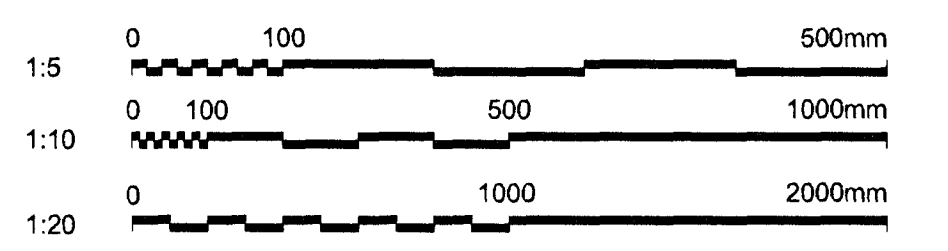
PANEL ARRANGEMENT, 1:5

Sambýkkt bann
20 JAN 2011
Byggingarfulltrúinn / Háfráttir
Fh. Hrólfur S. Gunnlaugsson

Níels Indriásson
WI



B CROSS-SECTION, 1:10



Skýringar:
Explanations:
Location of openings, see drawing no. ICC-611-ZA-518-251 and 252.
Panel and frames no.1, 1* and 2, see drawing no. 254.
All bolts are 16mm (8,8) and are hot dip galvanized.
Shims should be used between aluminium and steel, e.g. rubber or SIGA Nail sealing tape.



4	Issued for construction	10.11.24	Kgp		
Breyt. Rev.	Breyting Revision	Dags. Date	Samb. Approved	Noð. heiml. Released	
Tilvitningur nr. ISAL Ref-drawing no. of ISAL		Samsetn.teikningar nr. ISAL Assembly drawing no. of ISAL			

Fjöldi stykja / Number of pieces	Hlutur / Object	Alnri / Item	Efni / Material	eo. slk. / Weight	Ísl. / Icelandic	Alþýðugæmskið / Remarks
IV III II I	ICC				Stærð / Format A1	Msk. / Scale 1:5/10/20
CASTHOUSE EXTENSION BUILDINGS, STEP 1						
BUILDING 2						
WEATHER SHIELD A, FRONT AND SIDE VIEW						
Verktaki / Supplier	HRV	Teknað / Drawn	AgS	2010.05.28	Yfirfarð / Checked	NI
Samskipti / Communication			ISAL	Stærð / Format	ICC-611-ZA-518-253	AKS no.
Tilvitningur nr. ISAL Ref-drawing no. of ISAL			Samþykkt / Approved NI			
Tilvitningur nr. ISAL Ref-drawing no. of ISAL			Notkun heimil / Released			