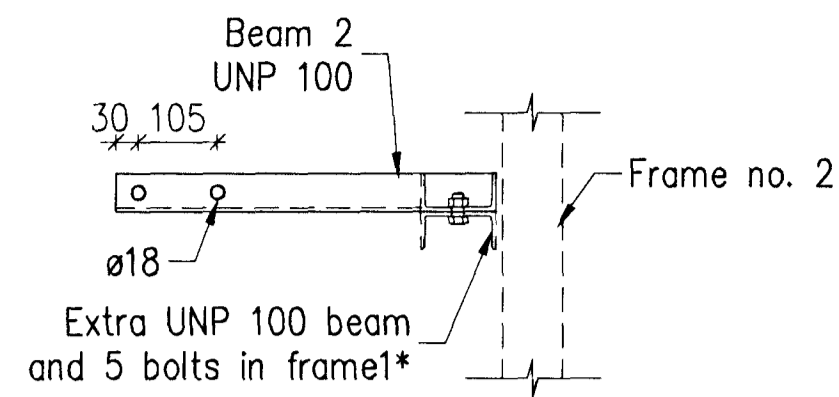
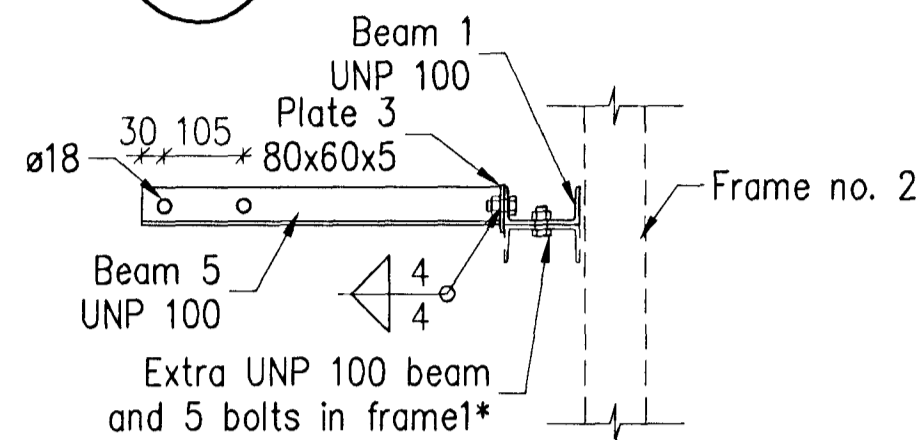


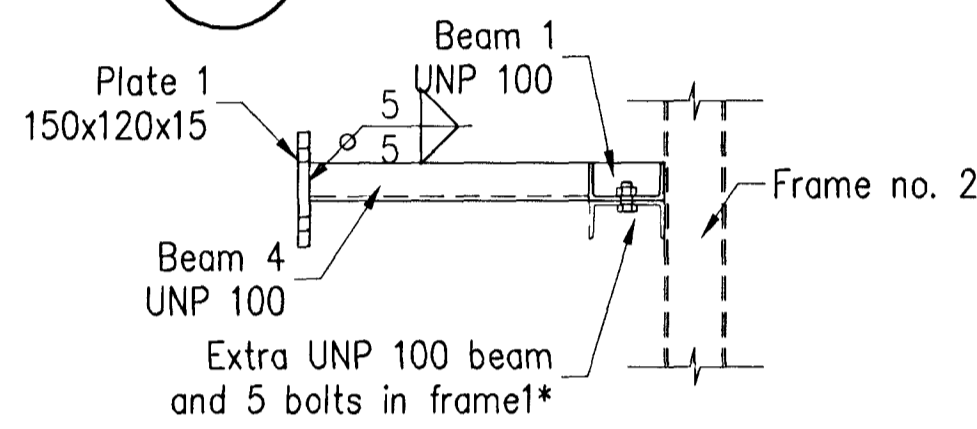
**FRAME no. 1, 1:10**  
3 pcs. pr. opening



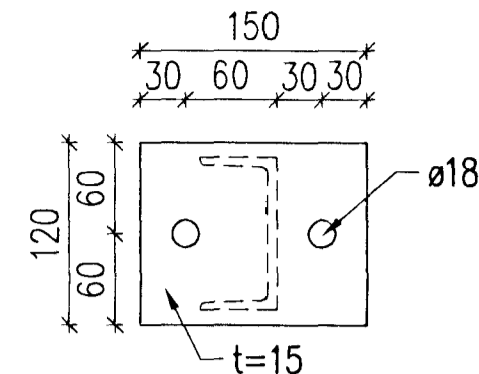
**A CROSS SECTION, 1:10**



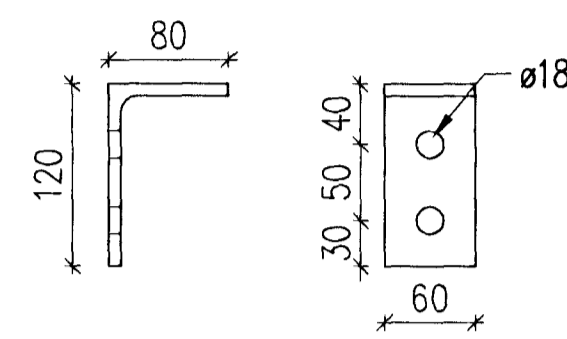
**B CROSS SECTION, 1:10**



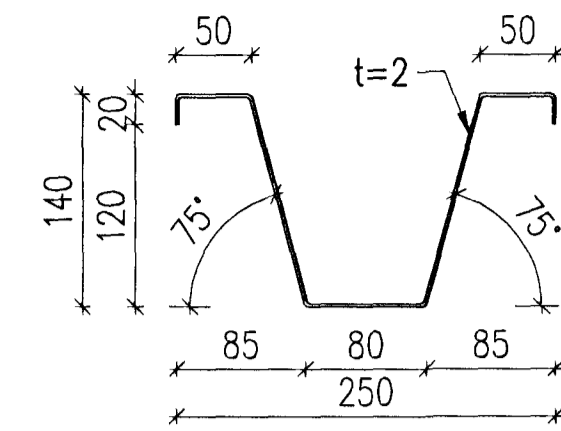
**C CROSS SECTION, 1:10**



**PLATE 1 150x120x10, 1:5**  
3 pcs. pr. opening

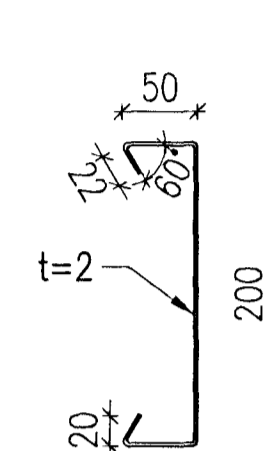


**FOR ERECTION 120x80x8 L=60, 1:5**  
3 pcs. pr. opening



Length in mm.	Number pr. opening A in pcs.
50	87

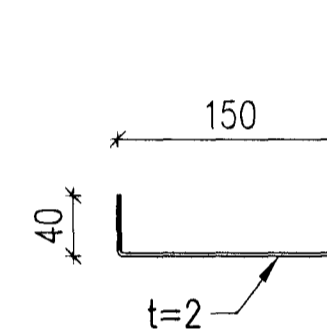
**ALUMINIUM FASTENER, 1:5**



Length in mm.	Number pr. opening A in pcs.
2140	59

The panel is ~30% open. The opening holes should not be greater than ø10mm and should at least cover the "front" side of the panel (200 mm area). The color of the panel is the same as the color of the house.

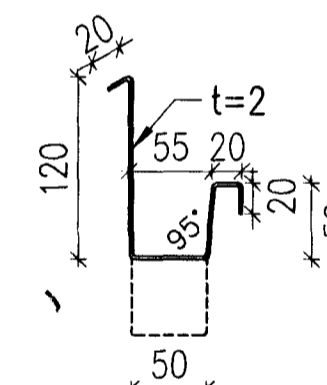
**ALUMINIUM PANEL, 1:5**



Length in mm.	Number pr. opening A in pcs.
4450	4

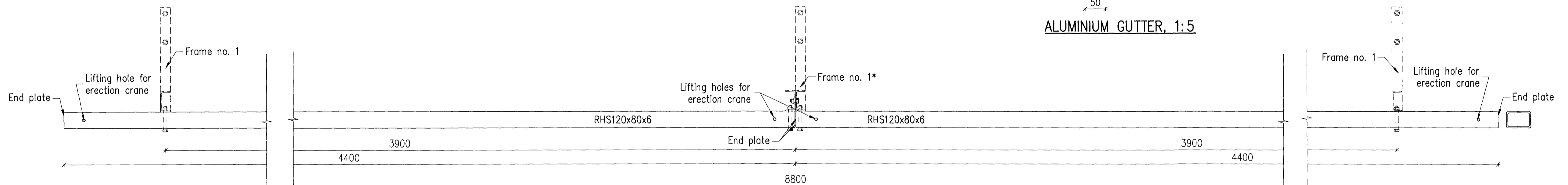
The color of the flashing is the same as the color of the house.

**ALUMINIUM FLASHING, 1:5**

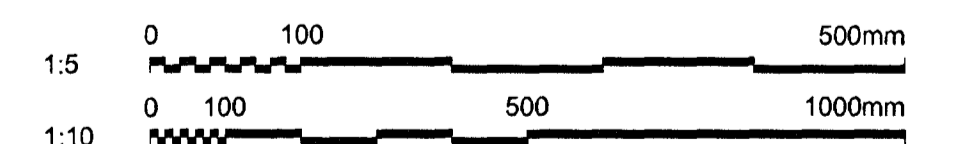


Length in mm.	Number pr. opening A in pcs.
4450	2

**ALUMINIUM GUTTER, 1:5**



**FRAME no. 2, 1:10**  
3 pcs. pr. opening



**Skýringar:**  
Explanations:  
All steel material shall be corrosion protected, class C5-M according to IST EN ISO12944-2:1998.



Breyt. Rev.	Issued for construction	Date	Samþ. Approved	Notk. heimil Released
4	Issued for construction	10.11.24	Kjap	

This drawing is the property of the Rio Tinto Alcan Iceland Ltd. and handed out for personal use only. It may neither be copied nor made available to others without permission of the Rio Tinto Alcan Iceland Ltd. The receiver is liable for any misuse.

Fjöldi stykja / Number of pieces	Hlutur / Object	Alitöl / Item	Efni / Material	eo.stk / Weight	totalt heild / Total weight	Athugasemdir / Remarks
IV III II I	ICC					
	CASTHOUSE EXTENSION BUILDINGS, STEP 1 BUILDING 2 WEATHER SHIELD A - DETAILS					
	HRV					
	AgS 2010.05.28	Yfirfarð / Checked	NI			
	<b>RioTinto Alcan</b>					