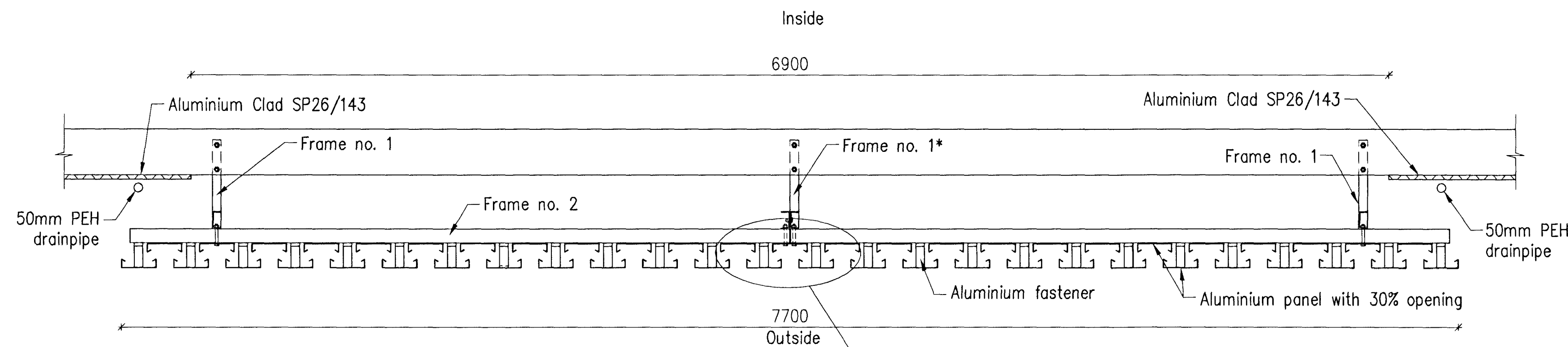
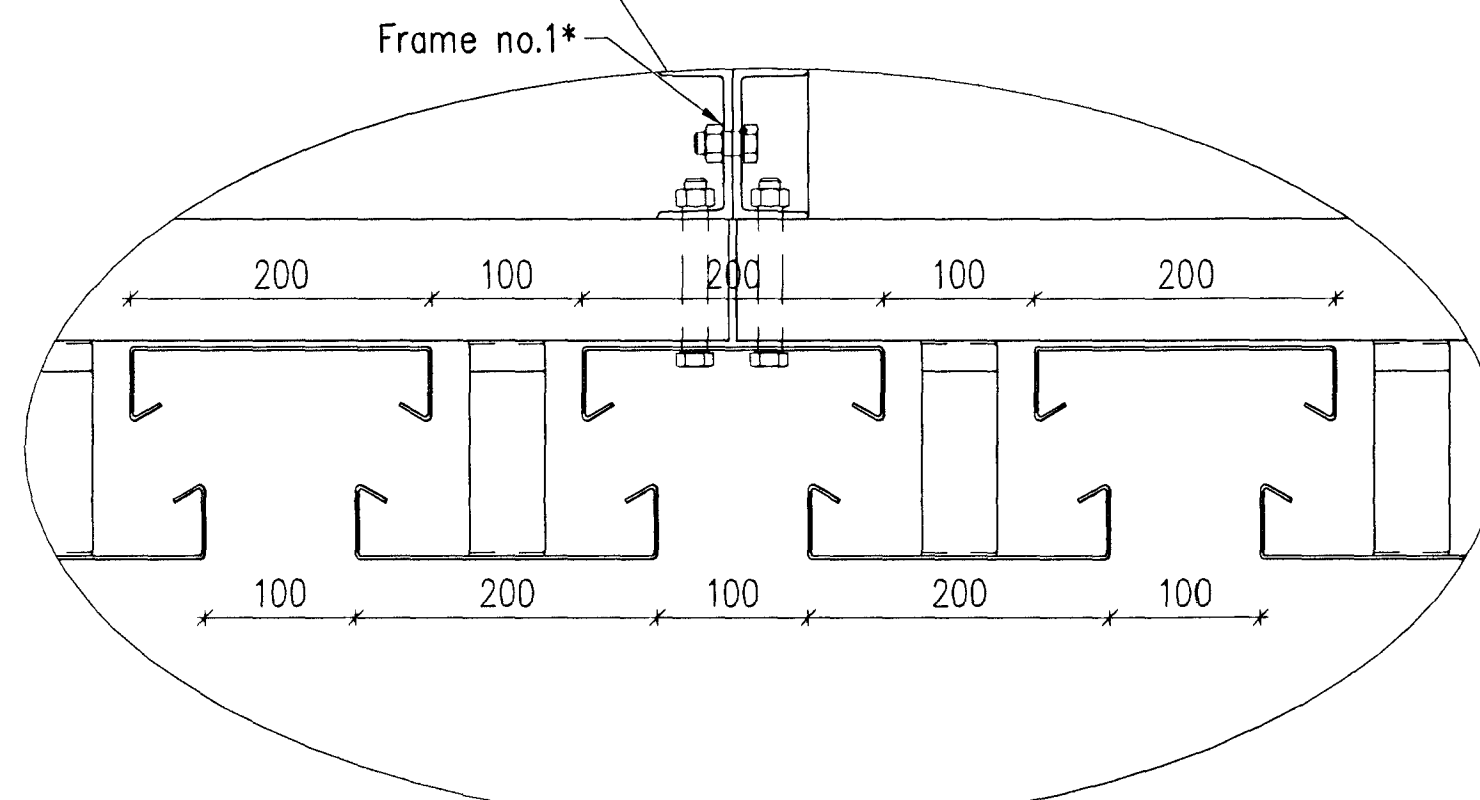


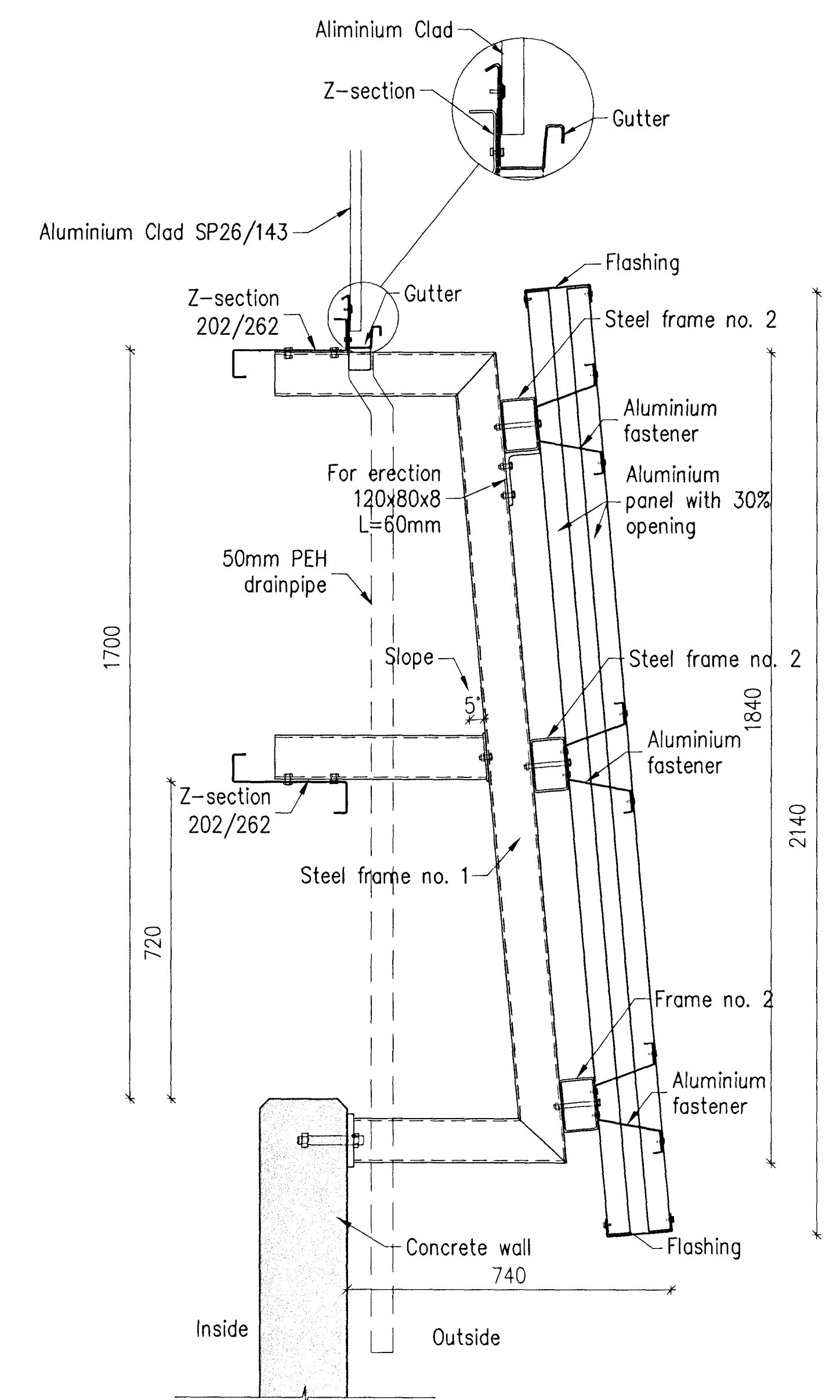
FRONT VIEW OF WEATHER SHIELD B, 1:20  
3 pcs.



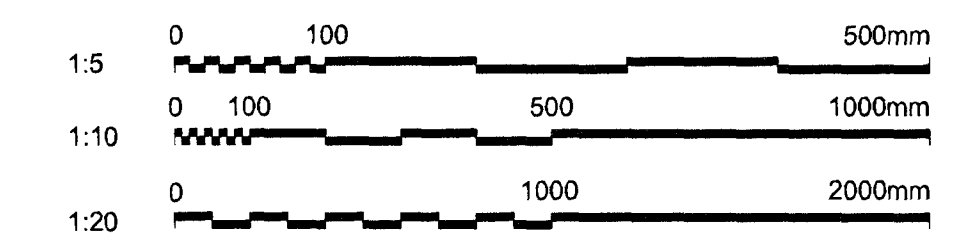
A CROSS-SECTION, 1:20



PANEL ARRANGEMENT, 1:5



B CROSS-SECTION, 1:10



Samþykkt þann  
20 JAN 2011  
Byggingarfræðingur / Hafnarfróði  
F.h. Þróttur S. Gunnlaugsson  
Níel Indriðsson  
W1

**Skýringar:**  
**Explanations:**  
Location of openings, see drawing no. ICC-611-ZA-518-251 and 252.  
Panel and frames no.1, 1\* and 2, see drawing no. 256.  
All bolts are 16mm (8,8) and are hot dip galvanized.  
Shims should be used between aluminium and steel, e.g. rubber or SIGA  
Nail sealing tape.



4	Issued for construction	10.11.24	Kgp		
Breyt. Rev.	Breyting Revision	Dags Date	Samb. Approved	Notk. heimil. Released	
Tilvitningur nr. ISAL Ref. drawing no. of ISAL		Samsetningartekning nr. ISAL Assembly drawing no. of ISAL			

Fjöldi stúkkja Number of pieces	Hútur Object	Almátt. Item	Efni Material	eo. stik Weight	Ítalaf. í heild (kg) Þyngd	Alhugusamir Remarks
IV III II I	ICC CASTHOUSE EXTENSION BUILDINGS, STEP 1 BUILDING 2 WEATHER SHIELD B, FRONT AND SIDE VIEW				Stærð Forma: A1	Mkv. Scale: 1:5/10/20 Kostnaður-Búnaður / CCno.-Eqno.
						AKS no.
						Teknafr. vafala / Drw.no. of suppl. Breyt./Rev. ICC-611-ZA-518-255 C
						Sambykkt Appróvædd
						Drw.no. of ISAL / Teknafr. ISAL Breyt./Rev.
						Notkun heimil. Retrieved