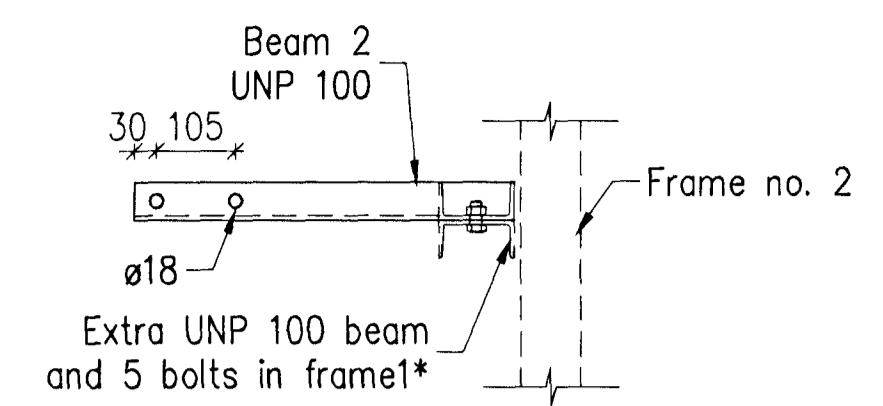
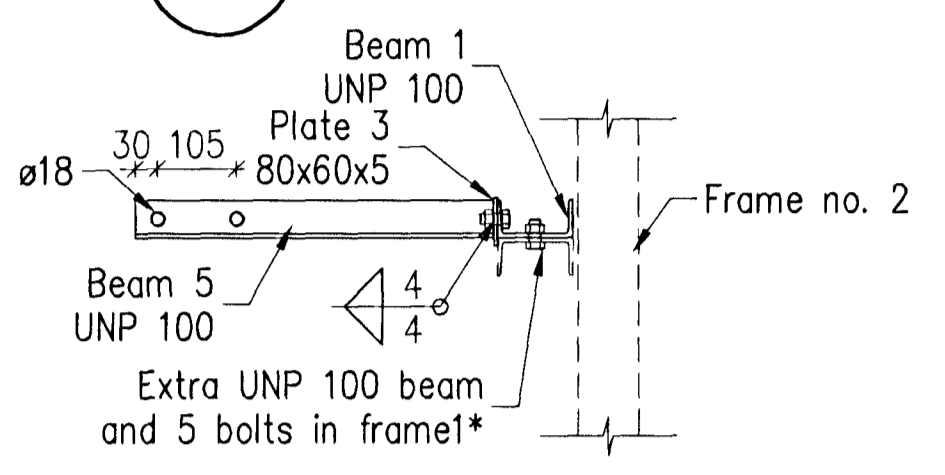


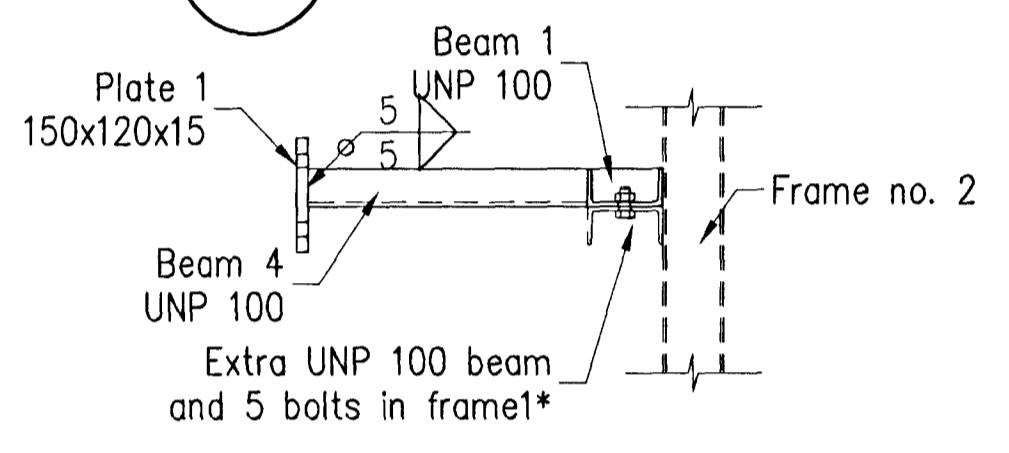
**FRAME no. 1, 1:10**  
3 pcs. pr. opening



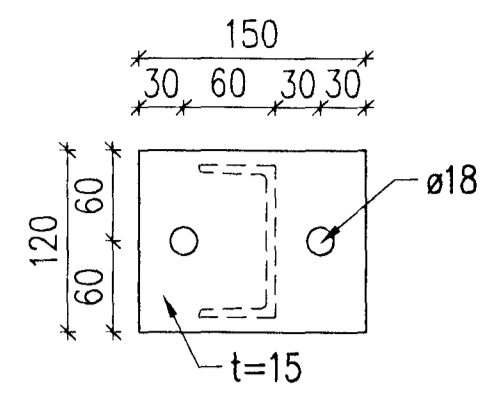
**A CROSS SECTION, 1:10**



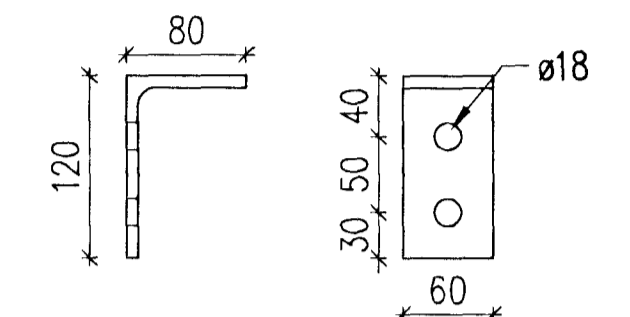
**B CROSS SECTION, 1:10**



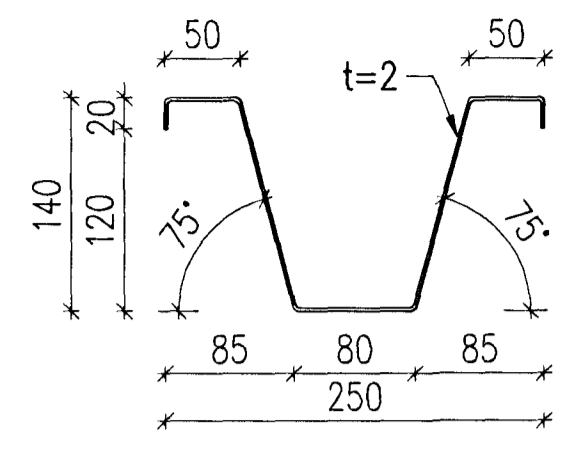
**C CROSS SECTION, 1:10**



**PLATE 1 150x120x10, 1:5**  
3 pcs. pr. opening

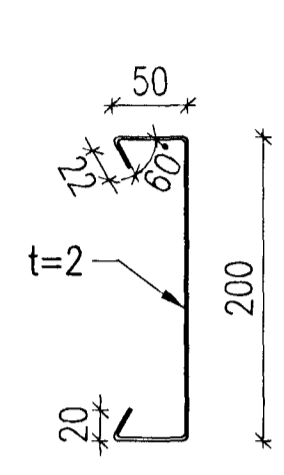


**FOR ERECTION 120x80x8 L=60, 1:5**  
3 pcs. pr. opening



Length in mm.	Number pr. opening B in pcs.
50	78

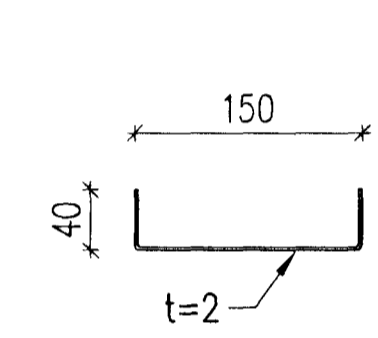
**ALUMINIUM FASTENER, 1:5**



Length in mm.	Number pr. opening B in pcs.
2140	51

The panel is ~30% open. The opening holes should not be greater than ø10mm and should at least cover the "front" side of the panel (200 mm area).  
The color of the panel is the same as the color of the house.

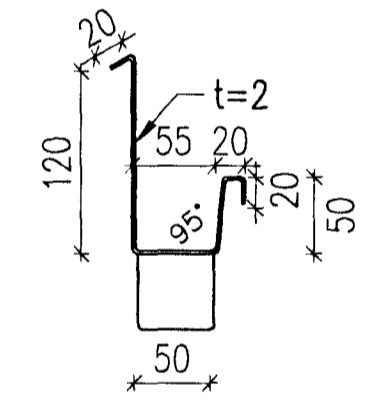
**ALUMINIUM PANEL, 1:5**



Length in mm.	Number pr. opening B in pcs.
3840	4

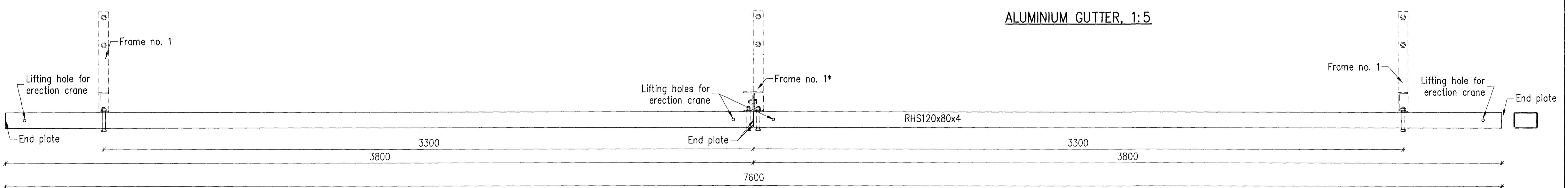
The color of the flashing is the same as the color of the house.

**ALUMINIUM FLASHING, 1:5**

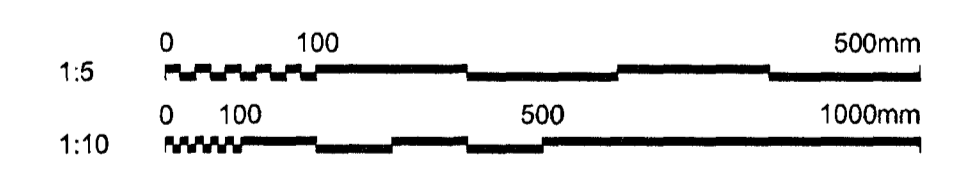


Length in mm.	Number pr. opening B in pcs.
3840	2

**ALUMINIUM GUTTER, 1:5**



**FRAME no. 2, 1:10**  
3 pcs. pr. opening



**Skýringar:**  
**Explanations:**  
All steel material shall be corrosion protected, class C5-M according to IST EN ISO12944-2:1998.



Breyt. Rev.	Breyting Revision	Dags. Date	Samþ. Approved	Notk. heimt. Released
4	Issued for construction	10.11.24	Kpp	

Fjöldi stykja Number of pieces	Hiður Object	Atriði Item	Efni Material	sg. stik Weight	Ítalaf hella (kg) Total weight	Athugasemdir Remarks
IV III II I	ICC	CASTHOUSE EXTENSION BUILDINGS, STEP 1				
		BUILDING 2				
		WEATHER SHIELD B - DETAILS				
		HRV				
		AgS	2010.05.28	Yfirfarið og staðfest Checked and Tiled		

**Samþykkt bann**  
**20 JAN 2011**  
Byggingafultrúinn í Hafnarfrétt  
F.h. Hrólfur S. Gunnlaugsson

Nick Indriðason  
KI