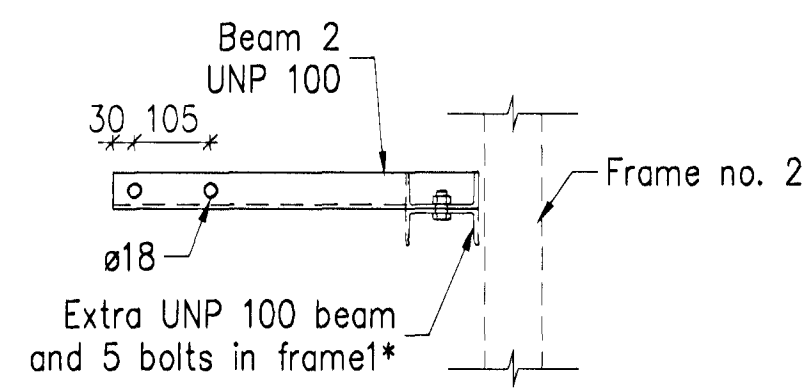
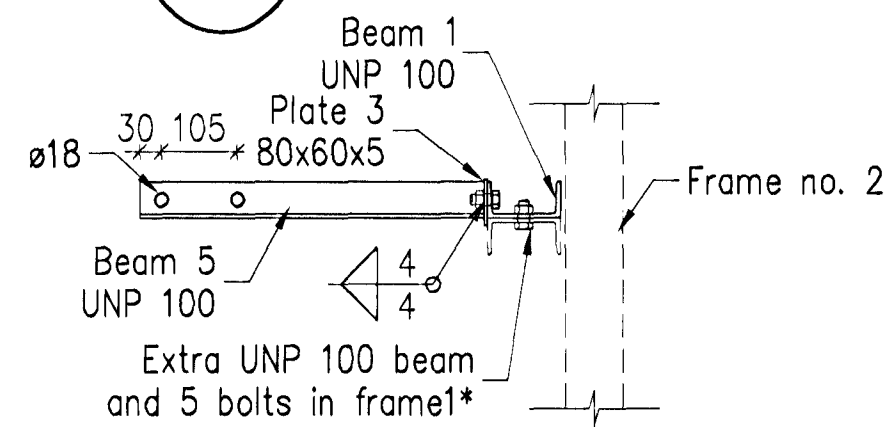


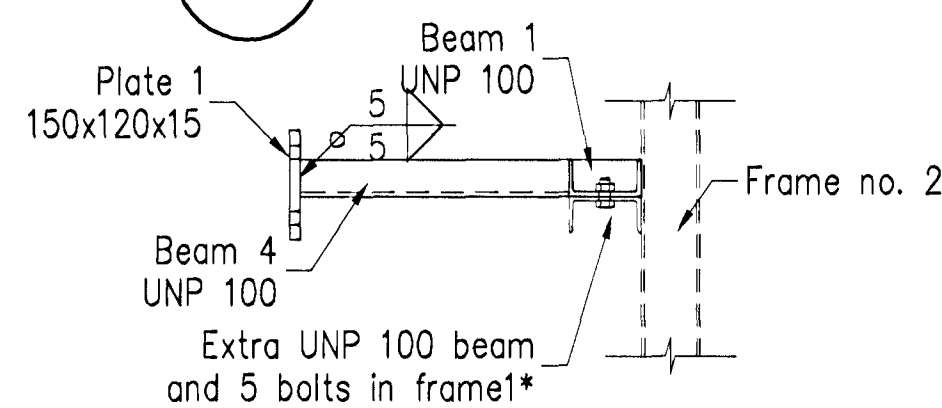
FRAME no. 1, 1:10
3 pcs. pr. opening



A CROSS SECTION, 1:10



B CROSS SECTION, 1:10



C CROSS SECTION, 1:10

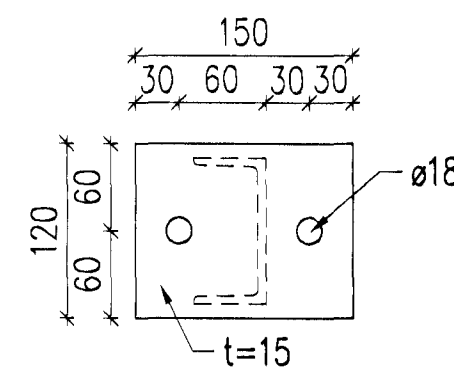
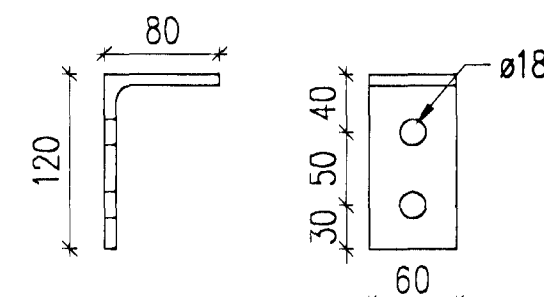
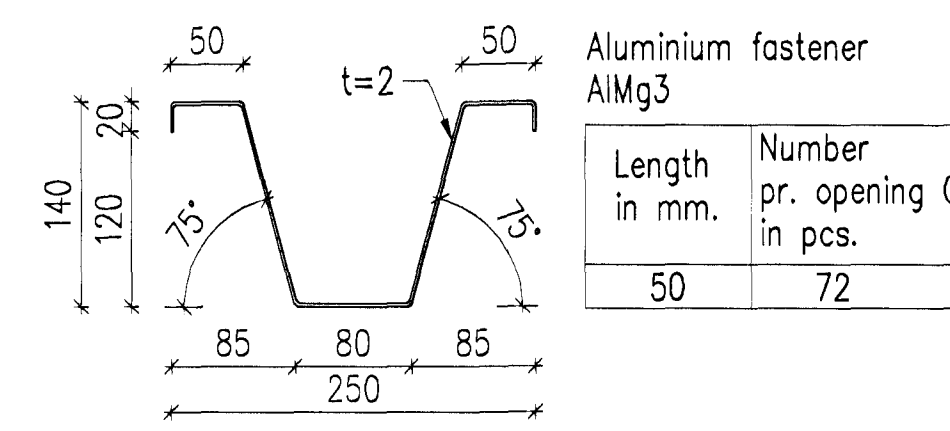


PLATE 1 150x120x10, 1:5
3 pcs. pr. opening

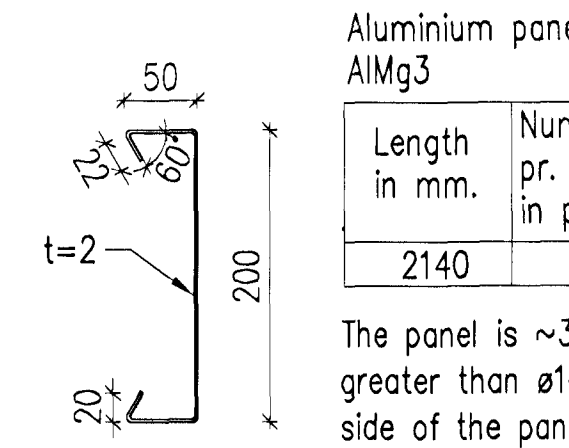


FOR ERECTION 120x80x8 L=60, 1:5
3 pcs. pr. opening



Length in mm.	Number pr. opening C in pcs.
50	72

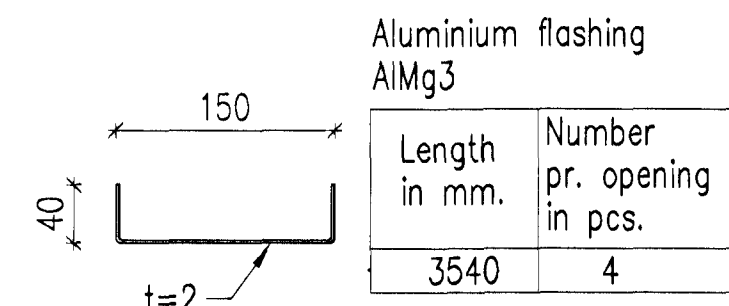
ALUMINIUM FASTENER, 1:5



Length in mm.	Number pr. opening C in pcs.
2140	47

The panel is ~30% open. The opening holes should not be greater than 10mm and should at least cover the "front" side of the panel (200 mm area). The color of the panel is the same as the color of the house.

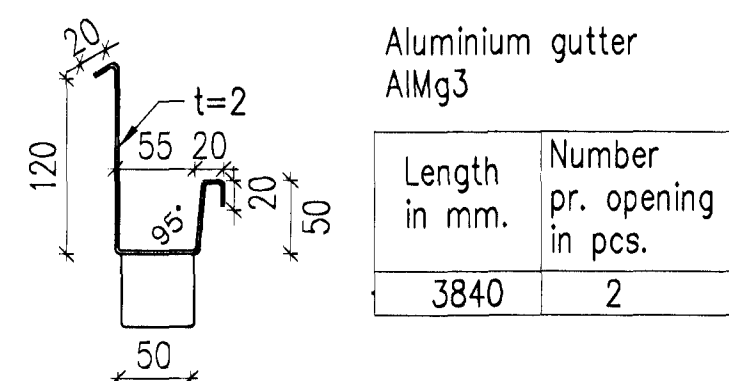
ALUMINIUM PANEL, 1:5



Length in mm.	Number pr. opening C in pcs.
3540	4

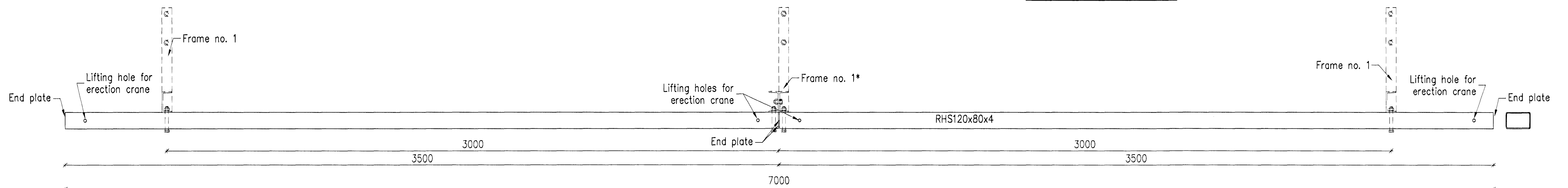
The color of the flashing is the same as the color of the house.

ALUMINIUM FLASHING, 1:5

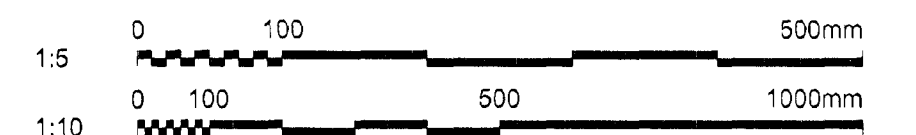


Length in mm.	Number pr. opening B in pcs.
3840	2

ALUMINIUM GUTTER, 1:5



FRAME no. 2, 1:10
3 pcs. pr. opening



Skýringar:
Explanations:
All steel material shall be corrosion protected, class C5-M according to IST EN ISO12944-2:1998.



This drawing is the property of the Rio Tinto Alcan Iceland Ltd and handed out for personal use only. It may neither be copied nor made available to others without permission of the Rio Tinto Alcan Iceland Ltd. The receiver is liable for any misuse.

Fjöldi stúkkja	Hlutur	Atriði	Efni	sg.stk	Ítal	Þ. heild	Athugasemdir
Number of pieces	Object	Item	Material	Weight (kg)	Bygging	Total weight	Remarks
IV	III	II	I				
							ICC CASTHOUSE EXTENSION BUILDINGS, STEP 1 BUILDING 2 WEATHER SHIELD C-DETAILS
							HRV
							Teknað / Drawn: AgS 2010.05.28
							Yfirfarið / Checked: NI
							Samþykkt / Approved: NI
							RioTintoAlcan
							Teknað / Drawn: AgS 2010.05.28
							Yfirfarið og þróað / Checked and filed: NI
							Útgefið / Released: NI