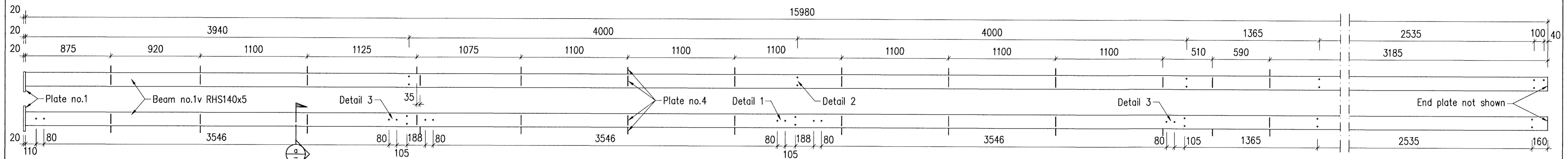


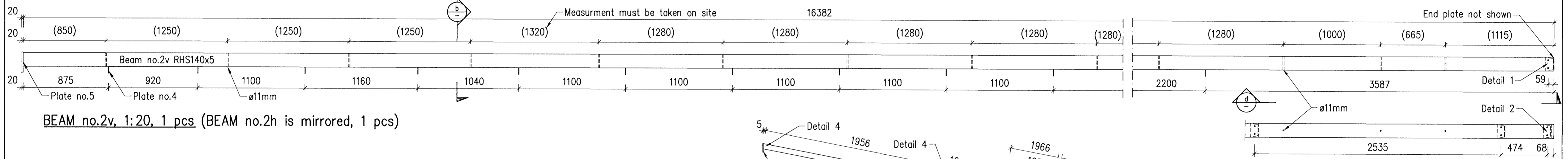
Sambýkkt bann
20 JAN 2011
Byggingafræðingur / Architect
F.H. Hrólfur S. Gunnlaugsson

PLATE no.1, 1:10, 2pcs PLATE no.2, 1:10, 14pcs PLATE no.3, 1:10, 22 pcs PLATE no.4, 1:10, 71 pcs PLATE no.5, 1:10, 2 pcs PLATE no.6, 1:10, 1 pc

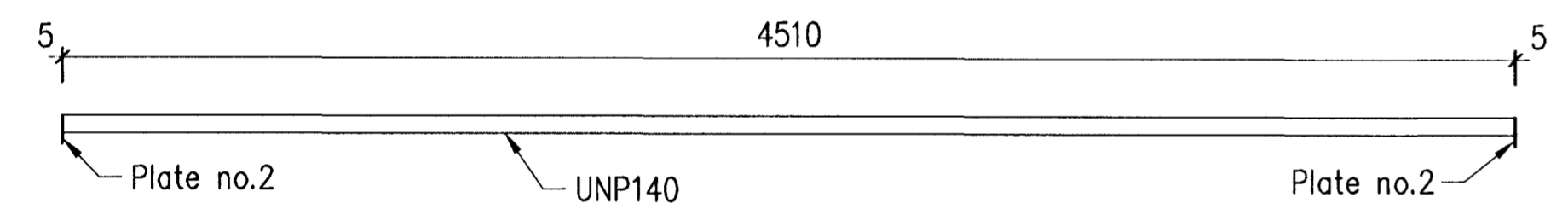
Nich Indúðason



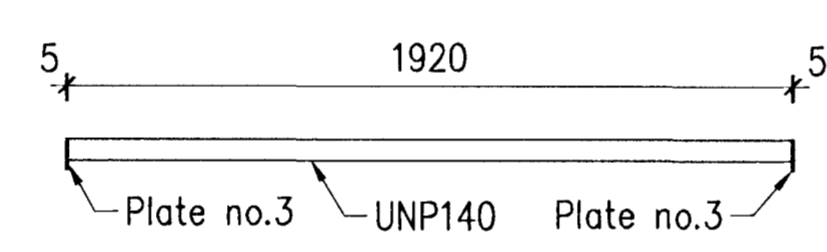
BEAM no.1v, 1:20, 1 pcs (BEAM no.1h is mirrored, 1 pcs)



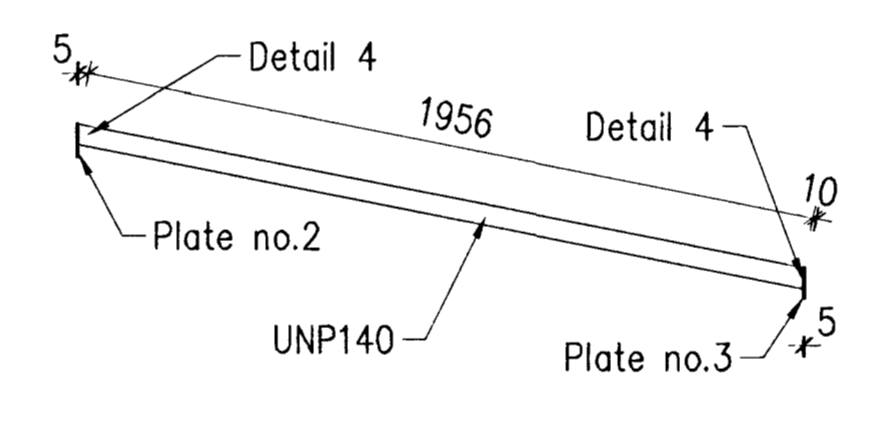
BEAM no.2v, 1:20, 1 pcs (BEAM no.2h is mirrored, 1 pcs)



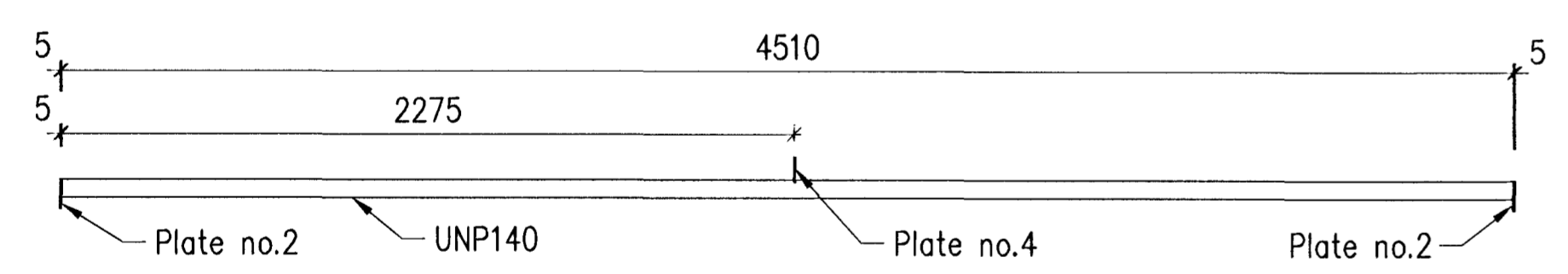
BEAM no.3, 1:20, 4 pcs



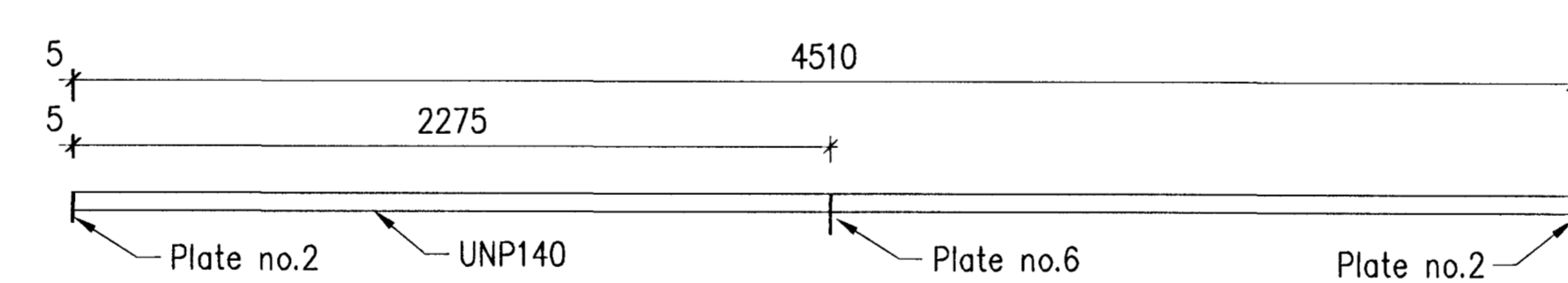
BEAM no.4, 1:20, 10 pcs



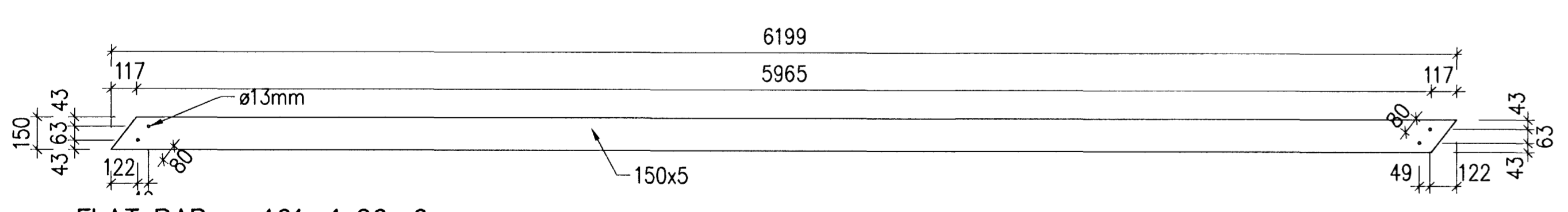
BEAM no.5, 1:20, 2 pcs



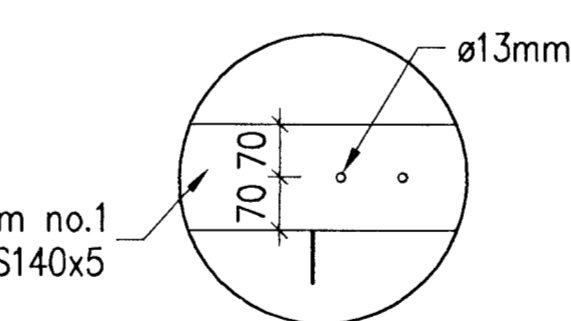
BEAM no.3a, 1:20, 1 pc



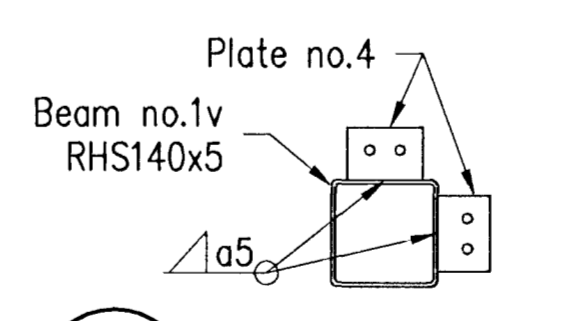
BEAM no.3b, 1:20, 1 pc



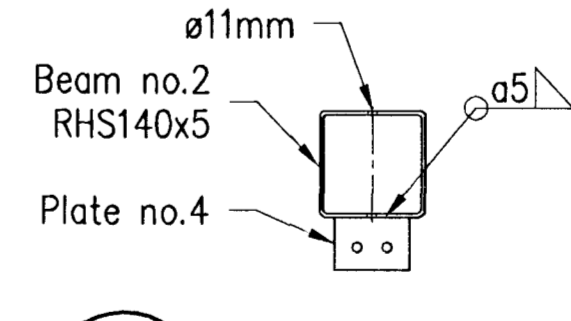
FLAT BAR no.101, 1:20, 6 pcs



3 DETAIL, 1:10

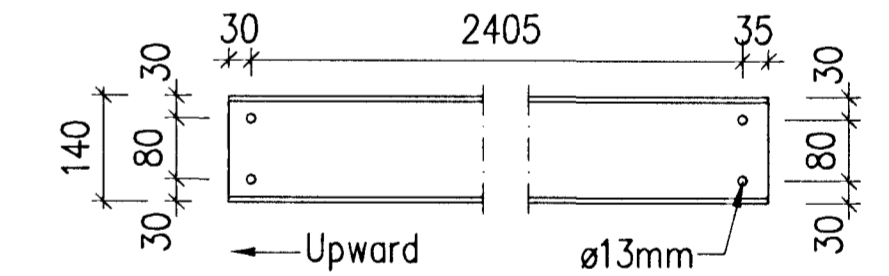


a SECTION, 1:10



b SECTION, 1:10

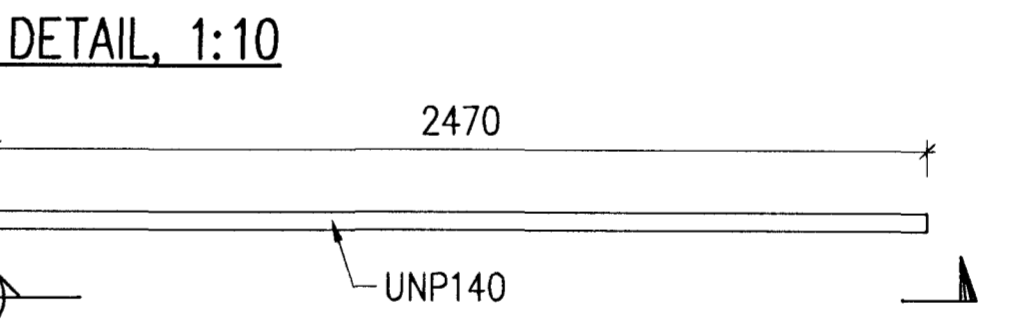
CONNECTION OF RHS140x5, 1:10



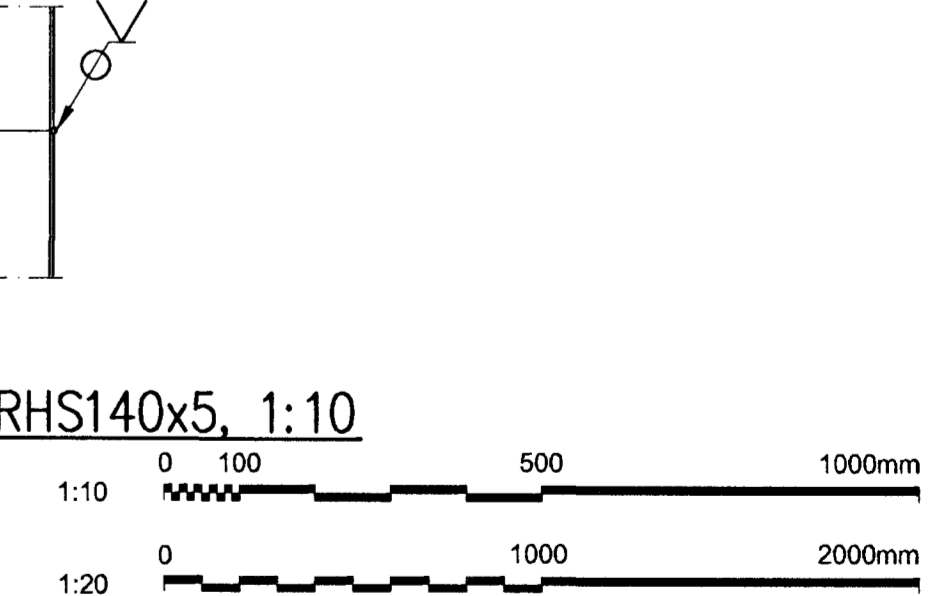
c SECTION, 1:10



d SECTION, 1:10



BEAM no.6, 1:20, 1 pc



Skýringar:
Explanations:
All steel material shall be corrosion protected, class C5-M according to IST EN ISO12944-2:1998.



This drawing is the property of the Rio Tinto Alcan Iceland Ltd. and handed out for personal use only. It may neither be copied nor made available to others without permission of the Rio Tinto Alcan Iceland Ltd. The receiver is liable for any misuse.

Fjöldi stúkkja Number of pieces	Hlutur Object	Atriði Item	Efni Material	sg.stk Weight (kg)	total:1 heild Format	Athugasemdir Remarks
IV III I I I	ICC CASTHOUSE EXTENSION BUILDINGS, STEP 1 BUILDING 1 VENTILATION, INTAKE, DETAILS				A1	1:10/20
	HRV				AKS no.	
Teknað Drawn	AgS	2010.05.28	Yfirfarið Checked	NI	Teknir, vertala / Drawn of suppl./Breyt./Rev IKC-611-ZA-518-263	C
			Sambýkkt Approved		ISAL Staðnaði Alcan Iceland Ltd IS-222 Hálfarþingur	
Teknað Drawn			Yfirfarið og skýtt Checked and filed		Nafnun heimild Released	